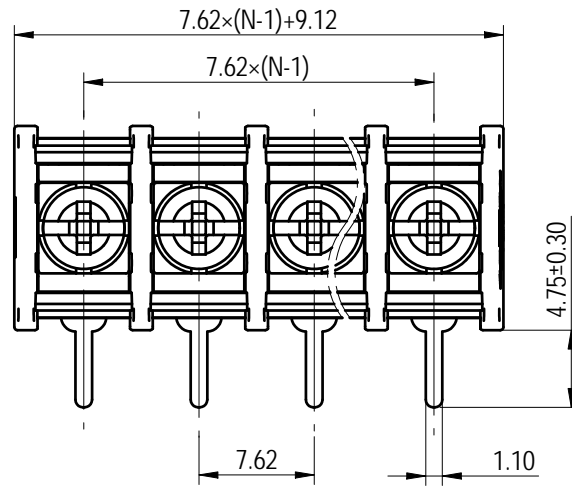
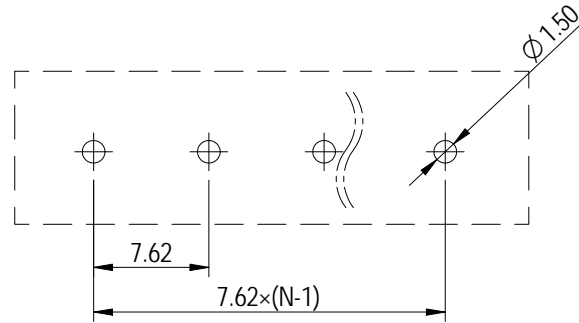
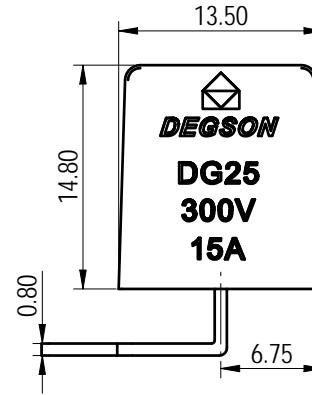
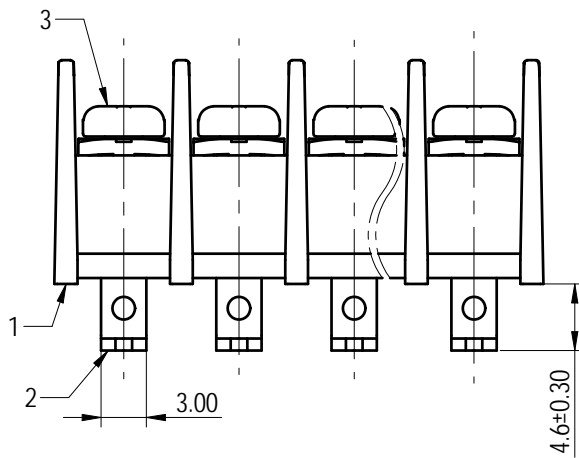
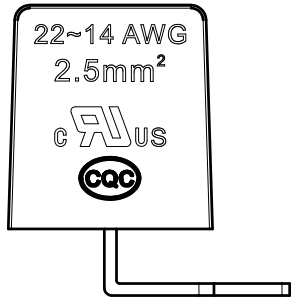
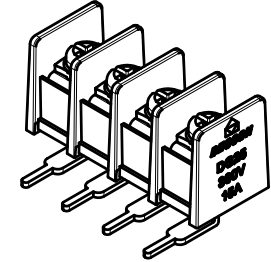


公差/General tolerances (mm)												0.1/10		
0	>3	>6	>10	>18	>30	>50	>80	>120	>180	>250	>315		>400	>500
±0.12	±0.18	±0.22	±0.26	±0.31	±0.37	±0.57	±0.80	±0.93	±1.05	±1.15	±1.60	±2.20	±2.50	±2'



DG25R-B-XXP-1Y-00Z(H)
DG25R-B-XXP-1Y-00ZH
DG25R-B - series of terminals
XXP - number of Poles (number of Pins)
1 - single-row
Y - color of housing (3 - black color)
00Z(H) or 00ZH - no value



Note: The A&Z(H) in the name means: A(H) and Z(H).

ITEM	NAME OF PART	MATERIAL	NOTES
3	Screw	Steel	M3/Ni Plated
2	Pin header	Copper alloy	Sn Plated
1	Housing	PA66	UL94V-0

UL 标准/UL Standard:	B	C	D
额定电压/电流/Rated Voltage (V)/Current (A)	300/15	/	/
螺丝扭矩/Torque Tightening (N · m/Lb.in)	M3, 0.5/4.43		
线径范围(硬线和软线)/Wire Range (rigid and flexible) (AWG/mm²)	22~14		
间距/Pitch (mm)/线数范围/Poles	7.62/N=02~24P		
使用温度范围/Operating temperature (°C)	-40~+105		
符合 RoHS 环保要求/Conform to RoHS	Yes		

MATERIAL:		SURFACE/COLOR:	
MAT NO./REV: / 00		MAT STATUS: 批量	
APPD: 蓝贵凡	2022.11.30	NAME: NINGBO DEGSON ELECTRICAL CO., LTD.	
CHKD: 曹利彬	2022.11.30	DG25R-B-XXP-1Y-00A&Z(H)	
DRFT: 孙科豪	2022.11.30	DRAWING NO. 200065700	TYPE CUSTOMER DRAWING
DRAWING STATUS: 已发布		SCALE: 2:1	SHEET: 1/1

REV	ECN	DESCRIPTION	DRFT	DATE
00				

Transfer or duplication of this document as well as the utilization or communication of its content are prohibited unless authorized in writing by Degson. All rights reserved for patent, utility model or design registrations. 除专利、实用新型、外观设计、软件著作权等权利外，本公司保留对涉及发明、实用新型及外观设计、软件著作权等权利的所有权利。