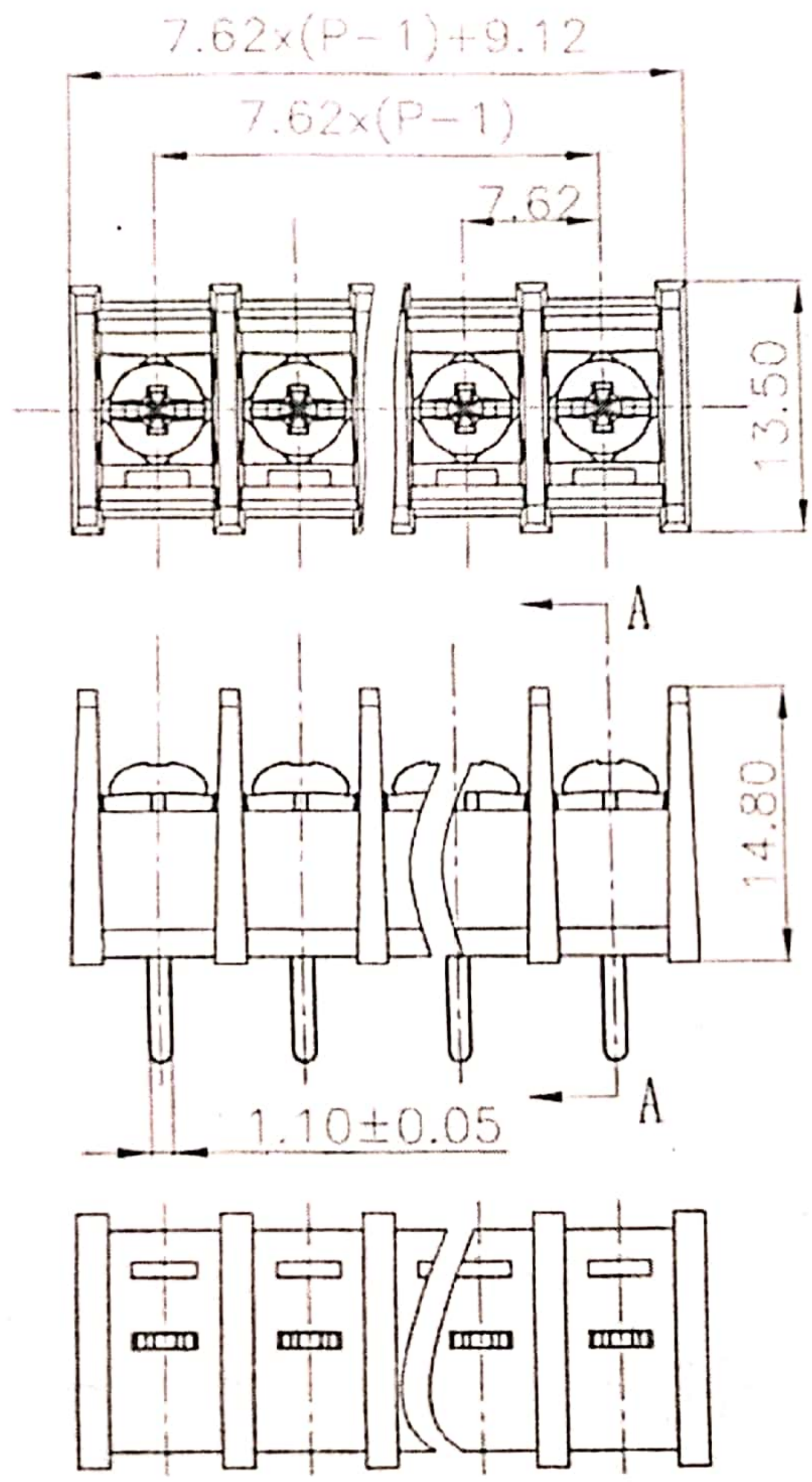


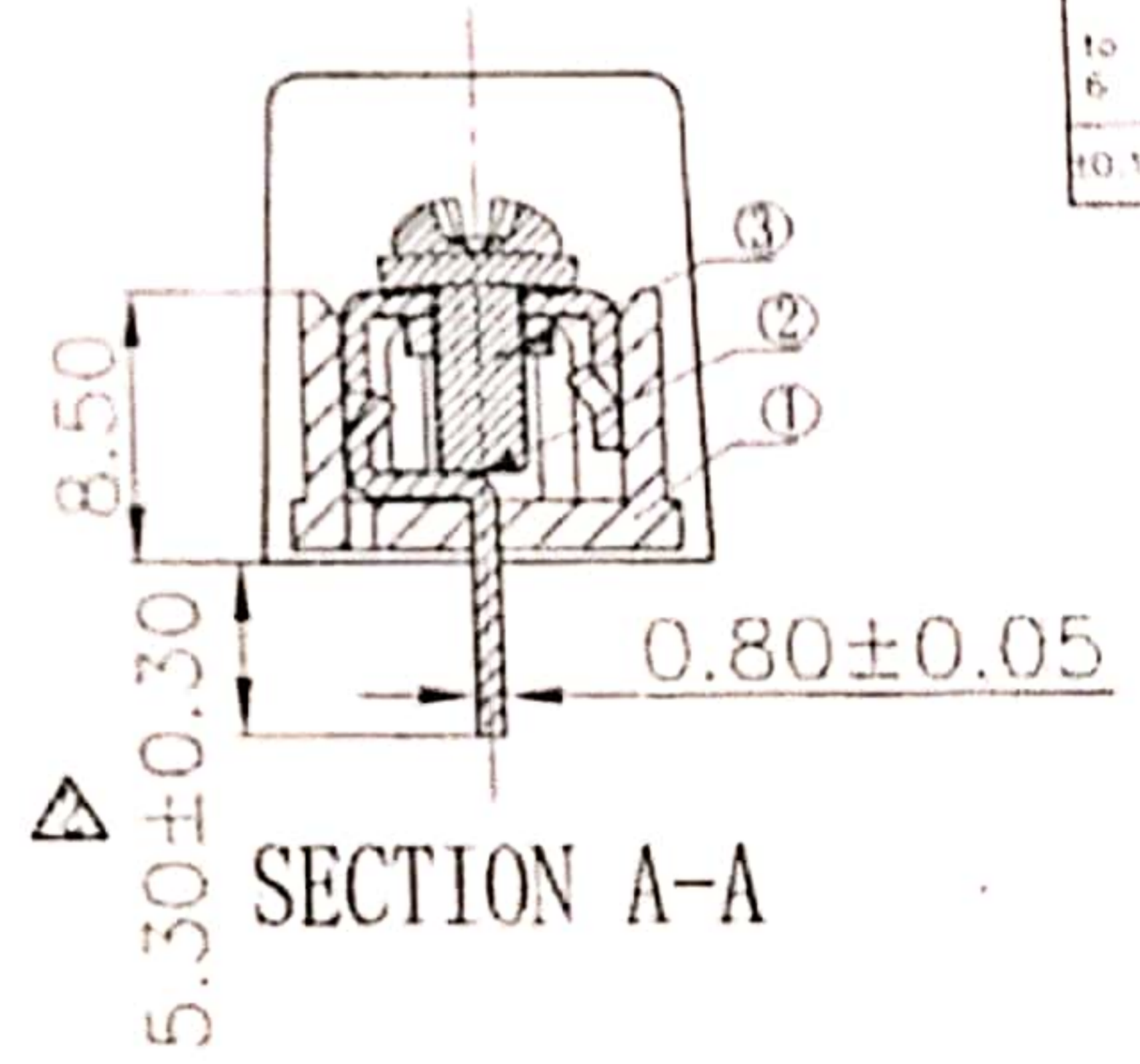
REVISION RECORD				
REV	ECO	DESCRIPTION	DRAFT	DATE
△		封面更新	CSX	07/18/07
△		增加UL刻字	YeJ	11/06/06



NOTES:

1. Pitch: 7.62mm
2. Rated current: 15A
3. Rated voltage: 300V
4. Operation temperatures: -40° C ~ +105° C
5. Insulation Withstand Voltage: AC2000V/1Min
6. Insulation Resistance: 500MΩ / DC500V
7. Wire Range: 22~14AWG
8. Max. Torque: 5.10kgf.cm
9. Undimensioned Tolerances:

Pitch range in mm		Nominal dimensional range in mm					
to	over	to	over	to	over		
6	10	6	30	90	200	∩	
10	24	6	30	90	200	□	
10	15	±0.25	±0.1	±0.2	±0.3	±0.5	±0.7



DEGSON

 DG25

 300V

 15A

22-14 AWG

 2.5mm²

 C US

3	3*6 bright-Screw	S000000450 (H)	XX	Steel	Ni Plated
2	DG25C-Pin Header	5001B00010 (H)	XX	Brass	SnCo
1	DG25C Housing	5001A0YXXA (H)	1	PA66	UL94V-0
ITEM	NAME OF PART	NO. OF PART	Q'TY	MATERIAL	NOTES
DELETED LISTS TOLERANCES EXCEPT AS NOTED MM (INCH) 0 ± .00 ± .00 ±		DFTD Holder DATE 12/12/05 CHD Holder DATE 11/06/05 MFO DATE APPR. DATE 11/07		宁波高松电子有限公司 DEGSON MINGBO DEGSON ELECTRICAL CO., LTD	
ANGLES ± 1' THIRD ANGLE PROJECTION		MATERIAL: G.E : FINISH : SCALE :		NAME DG25C-B-XXP-1Y-00A(H) DRAWING NO. DG25C-E16 /PART NO. Series DG25C-B DO NOT SCALE DRAWING	
			SIZE A3	REV T2	11/26/06
			SHEET 1	OF 1	