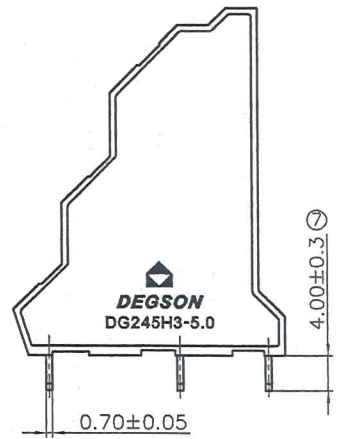
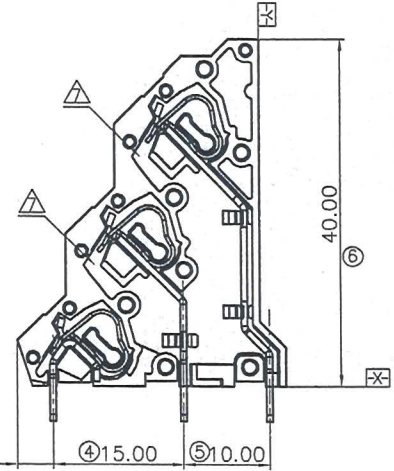
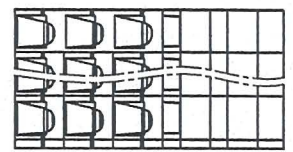
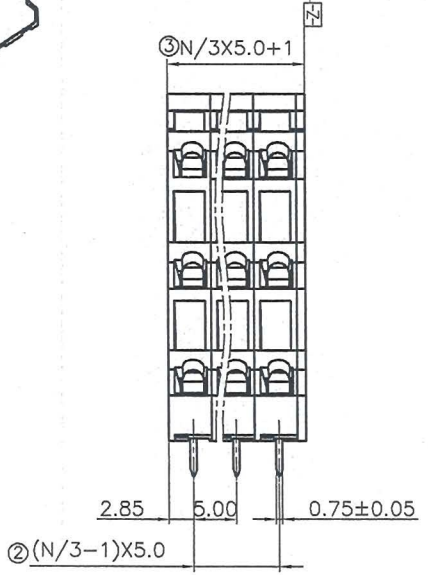
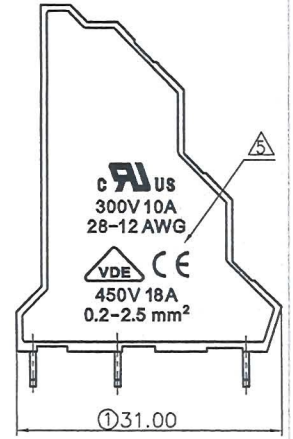
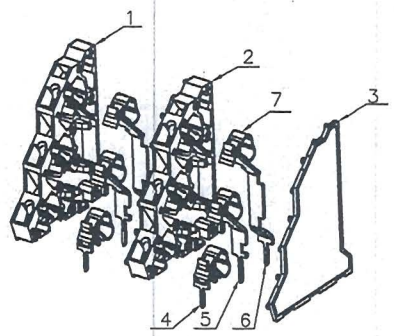


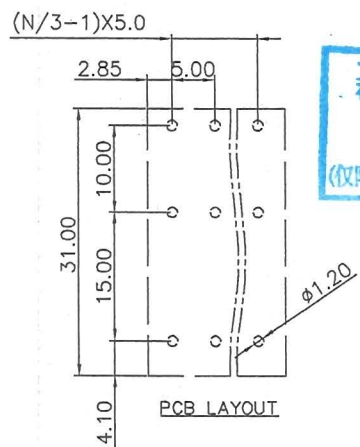
REVISION RECORD				
REV	ECN	DESCRIPTION	DRFT	DATE
△		增加UL 刻字	CSX	08/29/07
△		品名、料号增加环保标示“(H)”	LJH	12/08/07
△		修改线数: 改为每个焊脚代表一线	LJH	03/22/08
△		修改参数	Zengy	12/20/08
△	10-0328	增加VDE 刻字	Zengy	09/30/10
△	15-0234	弹片使用国产不锈钢, 更新料号	WWF	06/19/15
△	15-0524	塑件减胶改善弹片打不开隐患	CLB	11/27/15



- 备注一:
UL 标准
1. 额定电压与电流: 300V / 10A
2. 线径范围: 28~12AWG
- IEC 标准
1. 额定电压与电流: 450V / 18A
2. 线径范围: 0.2~2.5mm²

- 备注二:
1. 尺寸标注符合标准 ASME Y14.5-2009
2. P 距: 5.0mm, P 数范围: 3P-XXP
3. 剥线长度: 5-6mm
4. 工频耐压: AC2500V/1Min.
5. 使用温度范围: -40°C~+105°C
6. "⊗" "⊙" 为重点管控尺寸
7. 未注公差表:

P 距方向公差(mm)		其他尺寸公差(mm)						
≤6	6 ~ 10	10 ~ 24	≤30	30 ~ 60	60 ~ 100	100 ~ 150	>150	0.05/10
±0.10	±0.15	±0.25	±0.20	±0.30	±0.50	±0.70	±1.00	±1*



文管中心
研发专用
2015.12.19
(仅限内部使用, 对外无效)

ITEM	NAME OF PART	NO. OF PART	Q'TY	MATERIAL	NOTES
7	DG242 弹片	X000006250(H)	△△	XX	不锈钢 /
6	DG245H3 焊脚	3031B00010(H)	△	XX/3	紫铜 镀锡
5	DG245H2 焊脚	3030B00010(H)	△	XX/3	紫铜 镀锡
4	DG245H1 焊脚	3025B00020(H)	△	XX/3	磷青铜 镀锡
3	DG245H3-5.0 盖板	3031CYY01A(H)	1	PA66	UL94V-0
2	DG245H3-5.0 里座	3031AYY01A(H)	△	XX/3-1	PA66 UL94V-0
1	DG245H3-5.0 底座	3031AYY01B(H)	1	PA66	UL94V-0

PART NO.: Series DG245H3-5.0

DEGSON® Ningbo Degson Electrical Co., Ltd.

APPD: *Amor 12/15* NAME: DG245H3-5.0-XXP-1Y-00A(H)

CHKD:

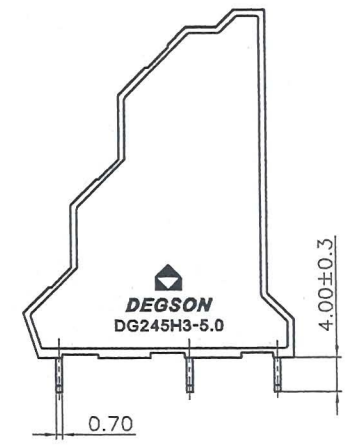
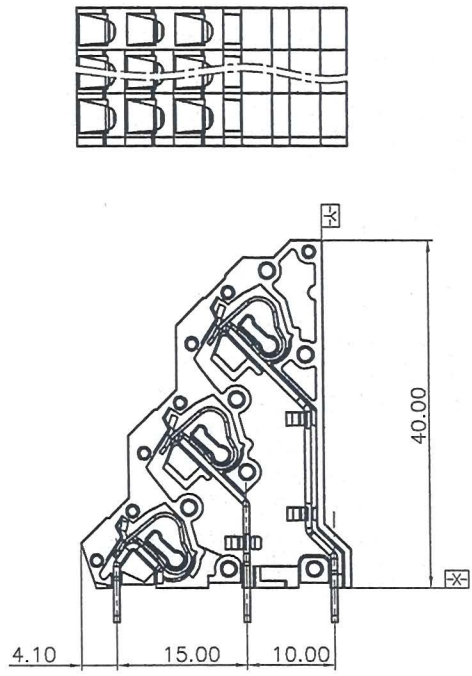
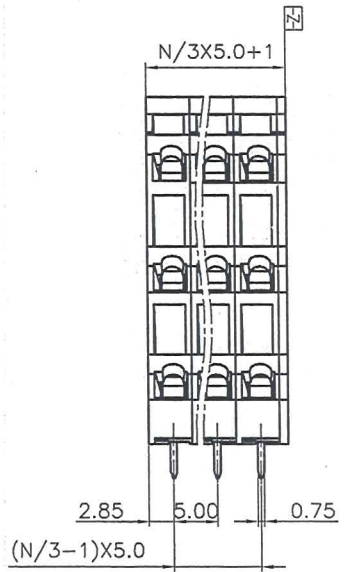
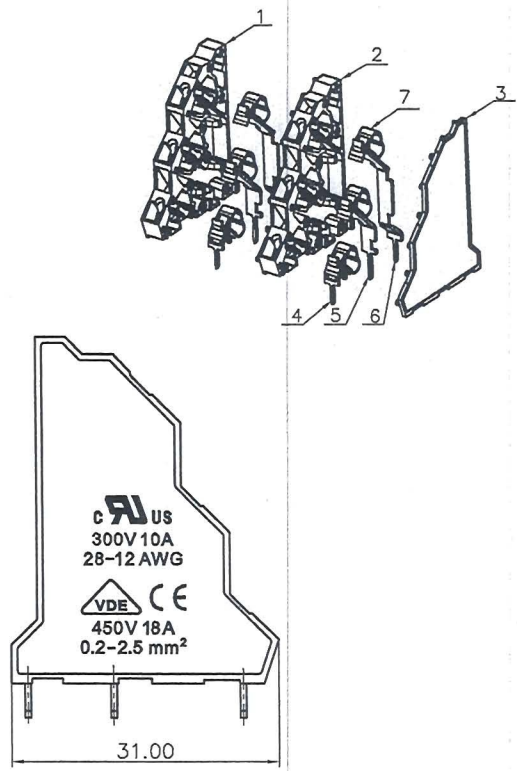
DRFT: Zhuwm 04/08/06 TITLE: ASSEMBLY DRAWING REV: T7

DRAWING NO.: DG245H3-5.0-E01 SHEET: 1/1

THIRD ANGLE PROJECTION

DO NOT SCALE DRAWING SCALE: 1:1

REVISION RECORD				
REV	ECN	DESCRIPTION	DRFT	DATE

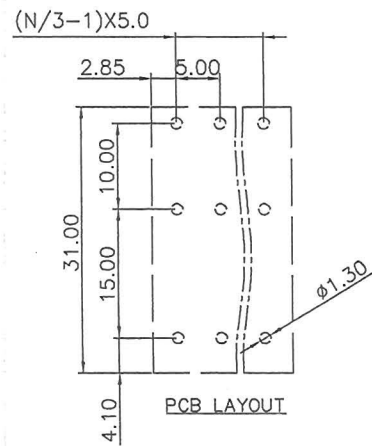


NOTES1:
 UL Standard
 1.Rated Voltage/Current : 300V / 10A
 2.Wire Range : 28~12AWG
 IEC Standard
 1.Rated Voltage/Current : 450V / 18A
 2.Wire Range : 0.2~2.5mm²

NOTES2:
 1.Dimension shall be interpreted per ASME Y14.5-2009
 2.Pitch : 5.0mm, Poles : 3P-XXP
 3.Stripping length : 5-6mm
 4.Withstanding Voltage : AC2500V/1Min.
 5.Operating temperature: -40°C~+105°C
 6.Undimensioned Tolerances:

Pitch Range In mm	Nominal Dimension Range In mm						- / □	
	Over 6 TO 10	Over 10 TO 24	Over 30 TO 60	Over 60 TO 100	Over 100 TO 150	Over 150		
TO 6	TO 10	TO 24	TO 30	TO 60	TO 100	TO 150	0.1/10	
±0.15	±0.20	±0.30	±0.30	±0.50	±0.70	±1.00	±1.30	±2°

7.RoHS Compliance



文管中心
 研发专用
 2015.12.19

ITEM	NAME OF PART	MATERIAL	NOTES
7	DG242 Spring	STAINLESS STEEL	/
6	DG245H3-pin	COPPER ALLOY	Sn plated
5	DG245H2-Pin	COPPER ALLOY	Sn plated
4	DG245H1-Pin	COPPER ALLOY	Sn plated
3	DG245H3-5.0 Cover	PA66	UL94V-0
2	DG245H3-5.0 In-housing	PA66	UL94V-0
1	DG245H3-5.0 Side-housing	PA66	UL94V-0

DETACHED LISTS	PART NO.: Series DG245H3-5.0	宁波高松电子有限公司 DEGSON® Ningbo Degson Electrical Co., Ltd.		
	APPD: Aaron 11/17-15	NAME: DG245H3-5.0-XXP-1Y-00A(H)		
	CHKD:	TITLE: CUSTOMER DRAWING		
	DRFT: CLB 11/27/15"	REV	TO	
	THIRD ANGLE PROJECTION	DRAWING NO.: DG245H3-5.0-C01	SHEET	1/1
	MM (INCH)	DO NOT SCALE DRAWING	SCALE	1:1