

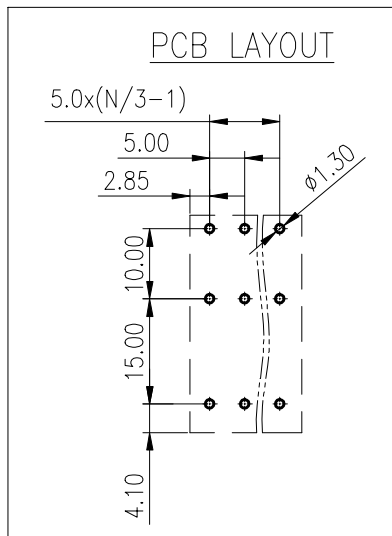
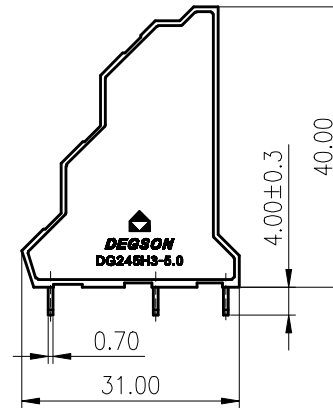
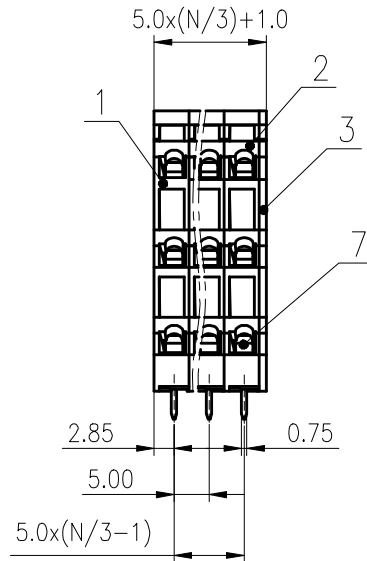
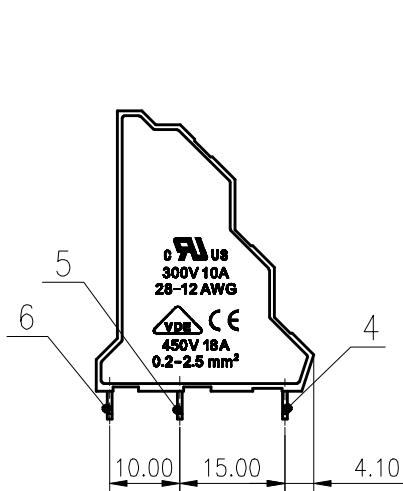
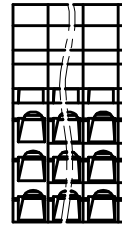
未注公差/General tolerances(mm)												0.1/10 ±2'	
0	>3	>6	>10	>18	>30	>50	>80	>120	>180	>250	>315		>400
~3	~6	~10	~18	~30	~50	~80	~120	~180	~250	~315	~400	~500	~500
±0.12	±0.18	±0.22	±0.26	±0.31	±0.37	±0.57	±0.80	±0.93	±1.05	±1.15	±1.60	±2.20	±2.50

A

B

C

D



ITEM	NAME OF PART	MATERIAL	NOTES
7	Spring	Stainless steel	/
6	Pin header3	Copper	Sn Plated
5	Pin header2	Copper	Sn Plated
4	Pin header1	Copper alloy	Sn Plated
3	Cover	PA66	UL94V-0
2	In-housing	PA66	UL94V-0
1	Side-housing	PA66	UL94V-0

UL 标准/UL Standard:	B	C	D
额定电压/电涌/Rated Voltage(V)/Current(A)	300/10	/	300/10
IEC 标准/IEC Standard:			
过压类别/Overvoltage Category/污染等级/Pollution Degree	III/3	III/2	II/2
额定电压/电涌/Rated Voltage(V)/Current(A)	/	450/18	/
工频耐压/Withstanding Voltage(V/1Min)	AC2500		
线径范围(硬线和软线)/Wire Range(rigid and flexible)(mm <sup>2</sup> /AWG)	0.2~2.5/28~12		
间距/Pitch(mm)/线数范围/Poles	5.0/N=03~72P		
剥线长度/Stripping length(mm)	5~6		
使用温度范围/Operating temperature(°C)	-40~+105		
符合RoHS环保要求/Conform to RoHS	Yes		

REV	ECN	DESCRIPTION	DRFT	DATE

MATERIAL: /	SURFACE: /		
MAT NO.: /	<b>宁波高松电子有限公司</b> <b>NINGBO DEGSON ELECTRICAL CO., LTD</b>		
STATUS: /			
APPD: Li GL 2020.06.10	NAME: <b>DG245H3-5.0-XXP-1Y-00A(H)</b>		
CHKD: MaEK 2020.06.10	DRAWING NO.: DG245H3-5.0-C01		
DRFT: CLB 2015.11.27	REV	T1	
SIZE: A4                  mm (inch)	TYPE: CUSTOMER DRAWING	SCALE: 1:1	SHEET 1/1

1

2

3

4

5

6