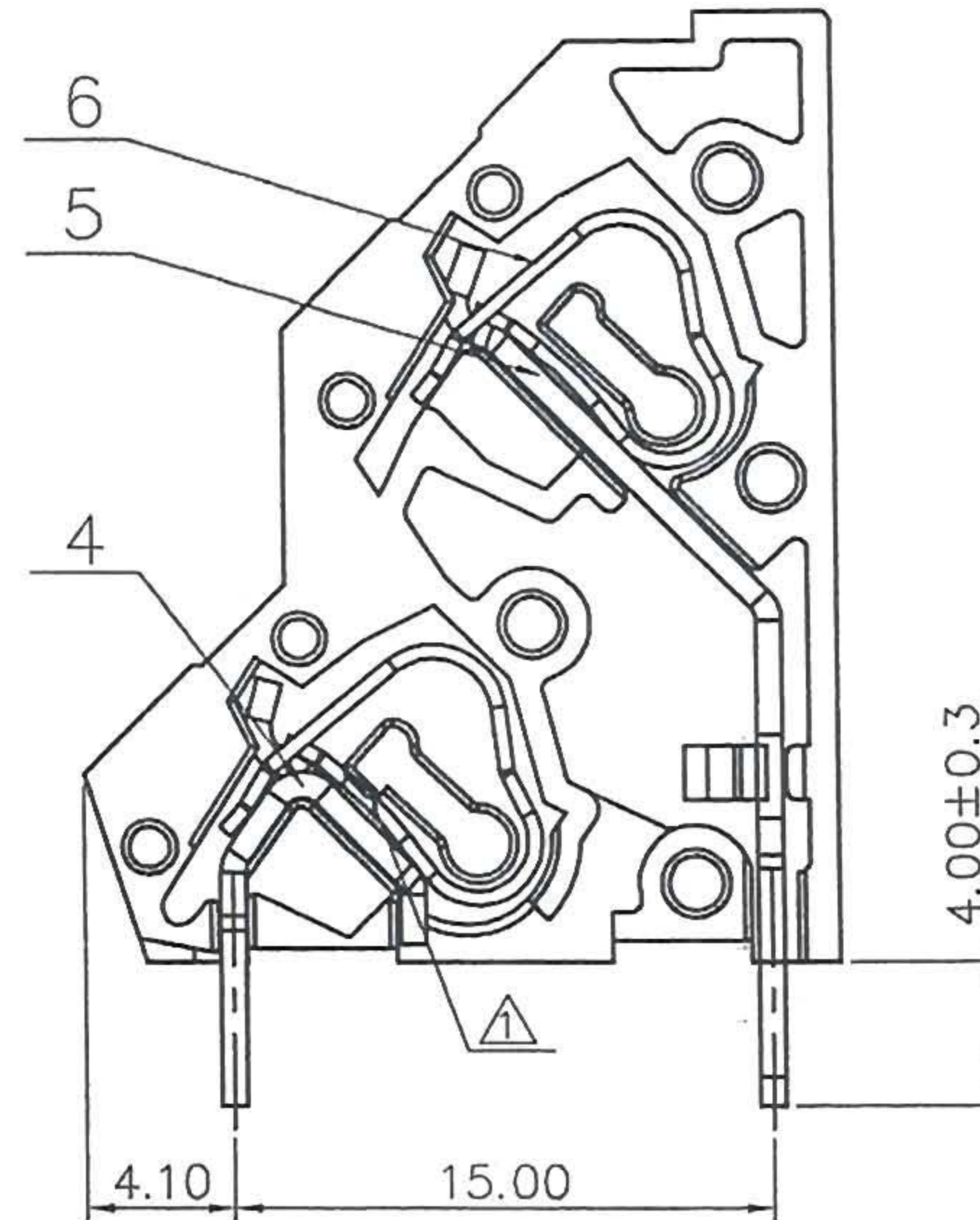
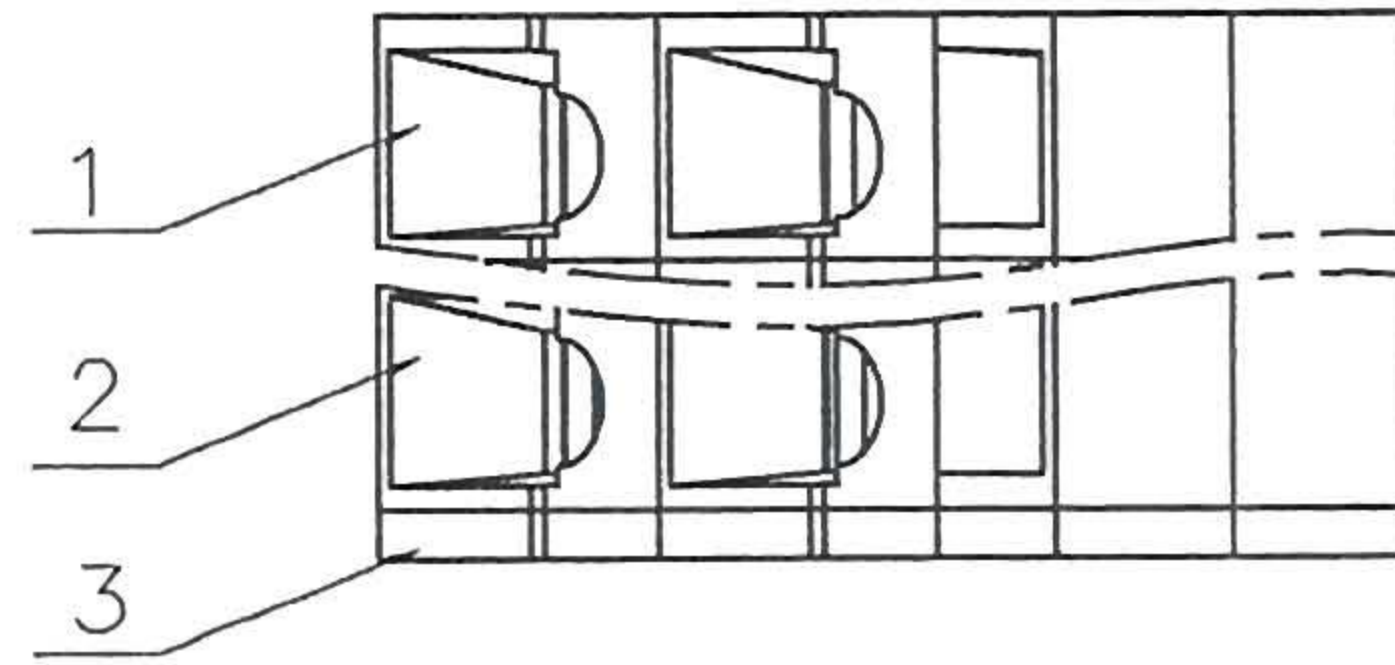
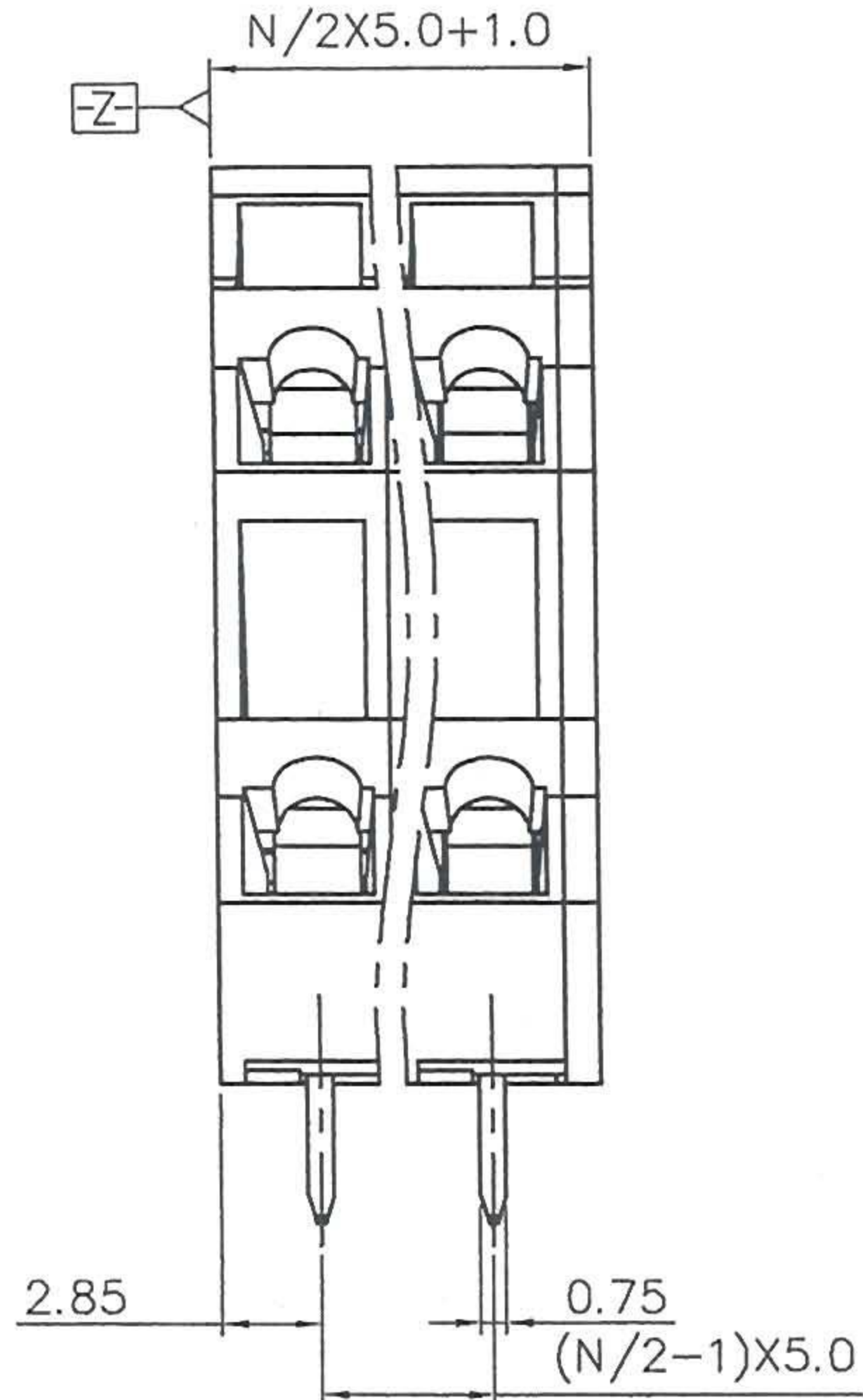
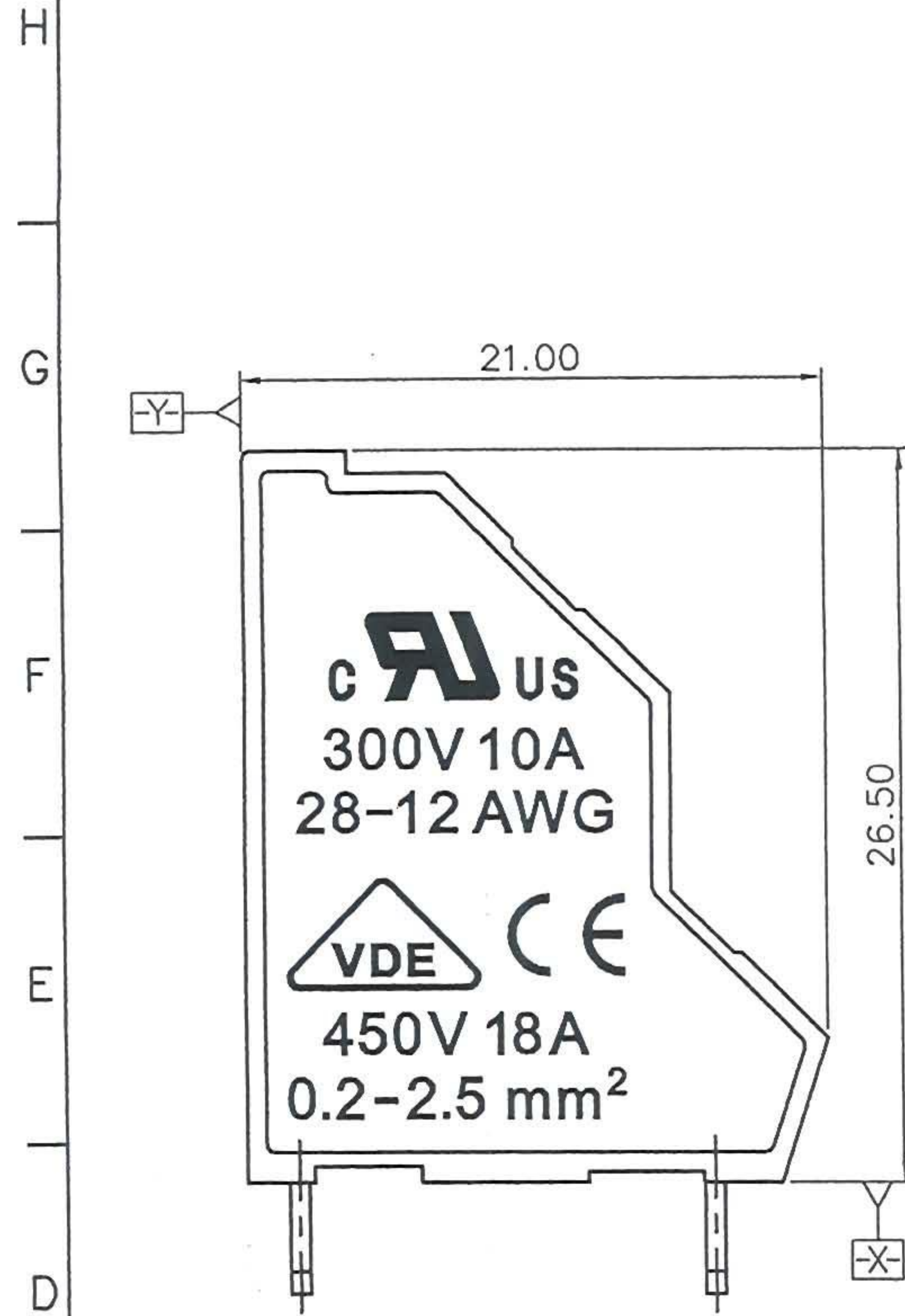


REVISION RECORD

REV	ECN	DESCRIPTION	DRFT	DATE
△	16-0032	改善焊脚出脚尺寸偏短及焊脚易掉落	MEK	01/14/15



NOTES1:

UL Standard

1. Rated Voltage/Current : 300V / 10A
2. Wire Range : 28~12AWG

IEC Standard

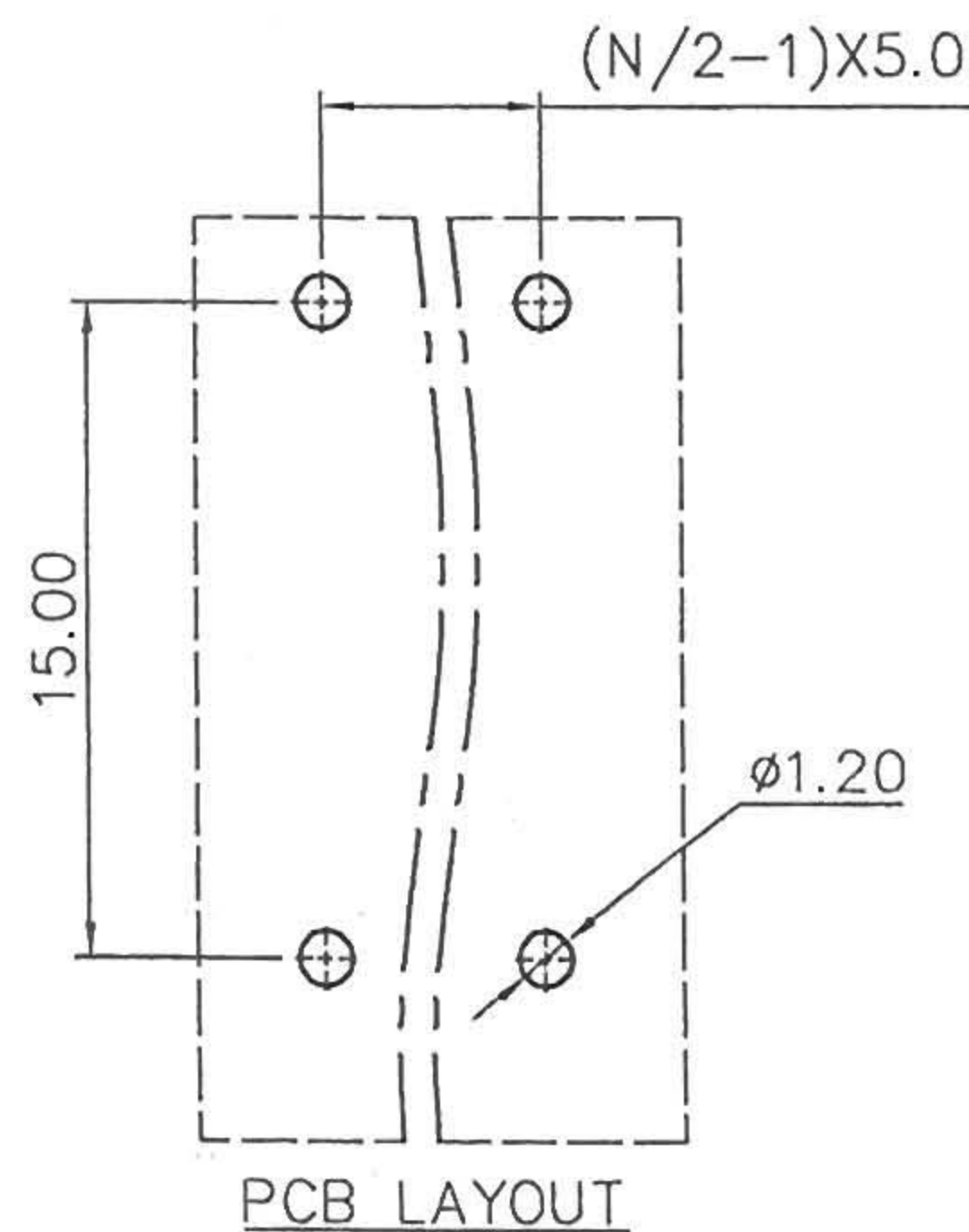
1. Rated Voltage/Current : 450V / 18A
2. Wire Range : 0.2~2.5mm²

NOTES2:

1. Dimension shall be interpreted per ASME Y14.5-2009
2. Pitch : 5.0mm, Poles : 2P-XXP
3. Stripping length : 5-6mm
4. Withstanding Voltage : AC2500V/1Min.
5. Operating temperature: -40°C~+105°C
6. Undimensioned Tolerances:

Pitch Range In mm		Nominal Dimension Range In mm						- R D
TO	Over	TO	Over	TO	Over	TO	Over	
6	6	10	10	30	30	60	60	0.1/10
10	10	24	30	60	100	150	150	<
±0.15	±0.20	±0.30	±0.30	±0.50	±0.70	±1.00	±1.30	±2'

7. RoHS Compliance



文管中心
研发专用
2016.2.24
(仅限内部使用,对外无效)

ITEM	NAME OF PART	MATERIAL	NOTES
6	SPRING	STAINLESS STEEL	
5	PIN2	COPPER ALLOY	SN PLATED
4	PIN1	COPPER ALLOY	SN PLATED
3	COVER	PA66	UL94V-0
2	IN-HOUSING	PA66	UL94V-0
1	SIDE-HOUSING	PA66	UL94V-0

DEGSON Ningbo Degson Electrical Co., Ltd.

PART NO.: Series DG245H2-5.0

NAME: DG245H2-5.0-XXP-1Y-00A(H)

APPD: Aaron 1/23-16

CHKD: Penny 1/23-16

DRFT: CLB 11/28/15"

TITLE: CUSTOMER DRAWING

REV: T1

DRAWING NO.: DG245H2-5.0-C01

SHEET: 1/1

SCALE: 1:1

DO NOT SCALE DRAWING

THIRD ANGLE PROJECTION