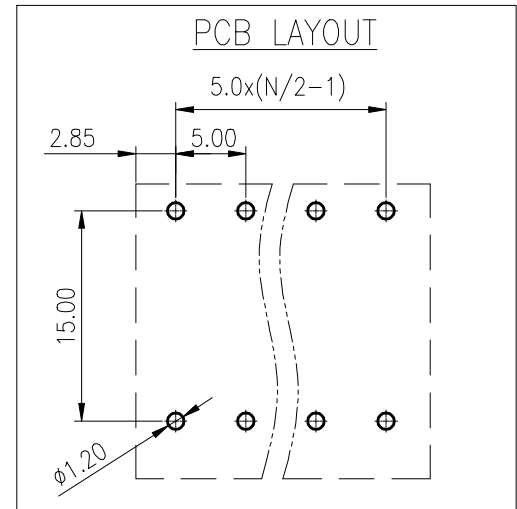
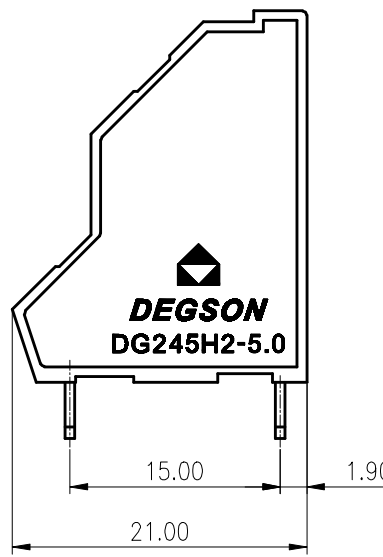
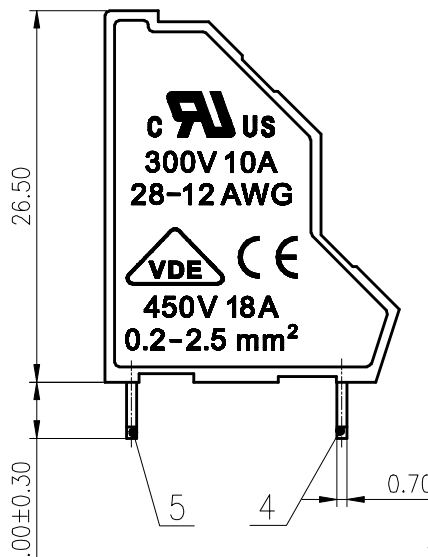
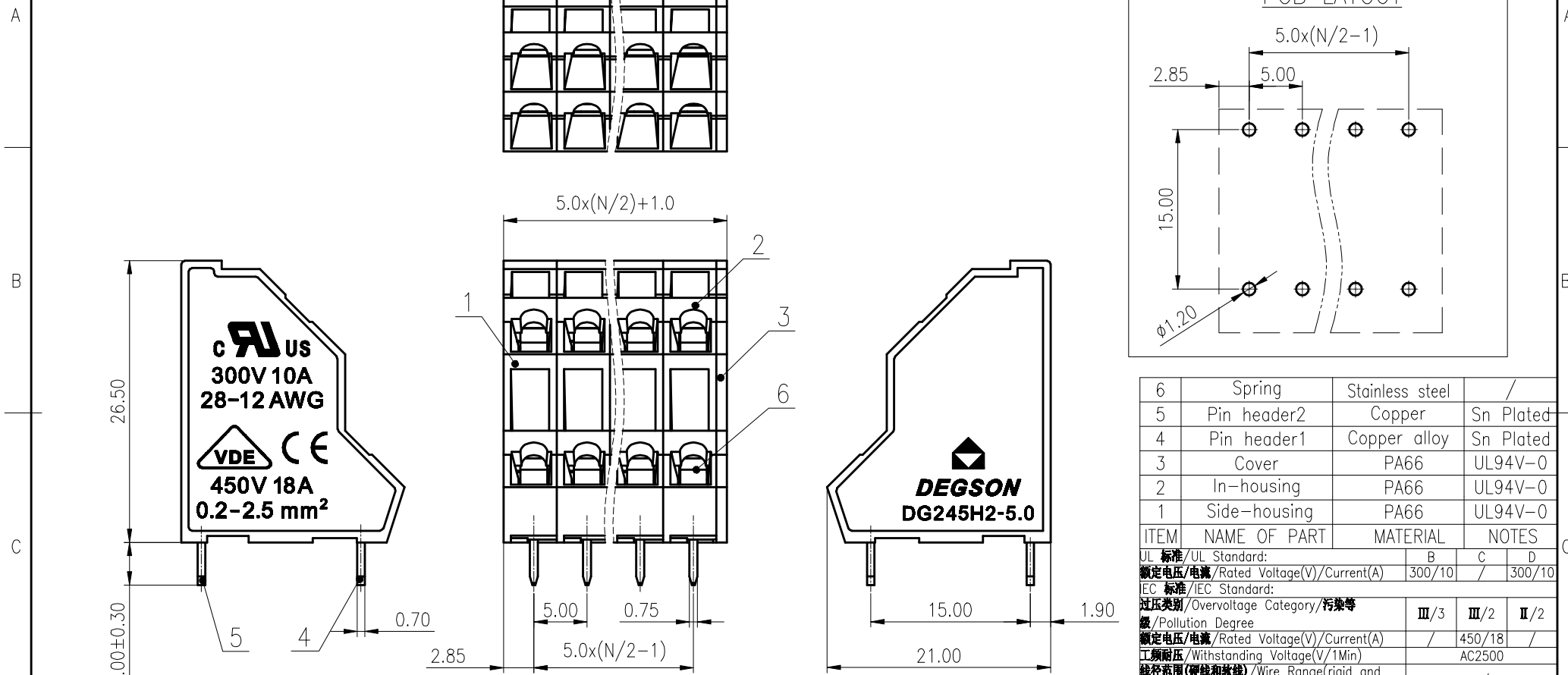


未注公差/General tolerances(mm)											0.1/10 ±2'		
0	>3	>6	>10	>18	>30	>50	>80	>120	>180	>250		>315	>400
~3	~6	~10	~18	~30	~50	~80	~120	~180	~250	~315	~400	~500	~500
±0.12	±0.18	±0.22	±0.26	±0.31	±0.37	±0.57	±0.80	±0.93	±1.05	±1.15	±1.60	±2.20	±2.50



ITEM	NAME OF PART	MATERIAL	NOTES
6	Spring	Stainless steel	/
5	Pin header2	Copper	Sn Plated
4	Pin header1	Copper alloy	Sn Plated
3	Cover	PA66	UL94V-0
2	In-housing	PA66	UL94V-0
1	Side-housing	PA66	UL94V-0

DG245H2-5.0-XXP-1Y-00A(H) or DG245H2-5.0-XXP-1Y-00Z(H)
DG245H2-5.0-XXP-1Y-00AH or DG245H2-5.0-XXP-1Y-00ZH
DG245H2-5.0 - series of terminals
XXP - number of Poles (number of Pins)
1 - single-row
Y - color of housing (1 - gray color, 4 - green color)
00A(H) or 00Z(H) (00AH or 00ZH) - no value

Note:
The A&Z(H) in the name means: A(H) and Z(H)

UL 标准/UL Standard:	B	C	D
额定电压/电涌/Rated Voltage(V)/Current(A)	300/10	/	300/10
IEC 标准/IEC Standard:			
过压类别/Overvoltage Category/污染等级/Pollution Degree	III/3	III/2	II/2
额定电压/电涌/Rated Voltage(V)/Current(A)	/	450/18	/
工频耐压/Withstanding Voltage(V/1Min)	AC2500		
线径范围(硬线和软线)/Wire Range(rigid and flexible)(mm²/AWG)	0.2~2.5/28~12		
间距/Pitch(mm)/线数范围/Poles	5.0/N=02~48P		
剥线长度/Stripping length(mm)	5~6		
使用温度范围/Operating temperature(°C)	-40~+105		
符合RoHS环保要求/Conform to RoHS	Yes		

MATERIAL: /	SURFACE: /
MAT NO.: /	宁波高松电子有限公司 NINGBO DEGSON ELECTRICAL CO., LTD
STATUS: /	
APPD: Li GL 2020.06.10	
CHKD: MaEK 2020.06.10	
DRFT: CLB 2015.11.28	NAME: DG245H2-5.0-XXP-1Y-00A&Z(H)
④ SIZE: A4	DRAWING NO.: DG245H2-5.0-C01
TYPE: CUSTOMER DRAWING	SCALE: 2:1
	REV T3
	SHEET 1/1

REV	ECN	DESCRIPTION	DRFT	DATE