

REVISION RECORD				
REV	ECN	DESCRIPTION	DRFT	DATE

NOTES1:

UL Standard

1. Rated voltage/current : 300V / 15A
2. Withstanding voltage : AC1600V/1Min.
3. Wire range : 28~12AWG

IEC Standard

1. Pollution degree	2	2	3
Overvoltage category	II	III	III
Rate impulse voltage(KV)	4.0KV	4.0KV	4.0KV
Rate voltage(V)	630V	320V	320V
Rate current(A)	17A		

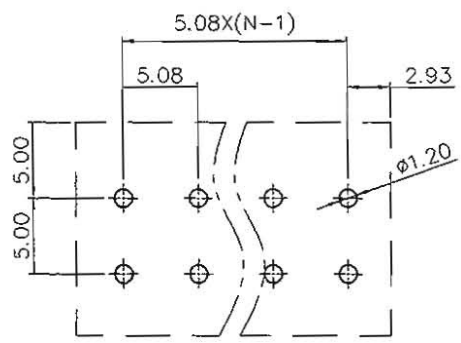
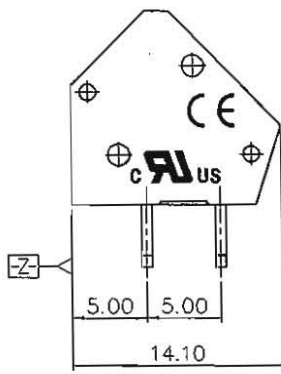
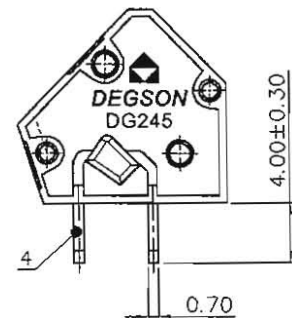
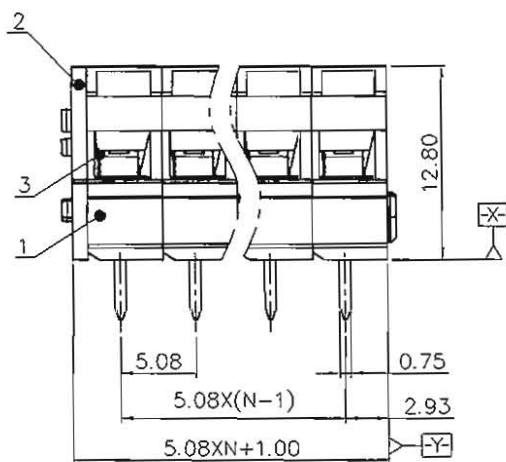
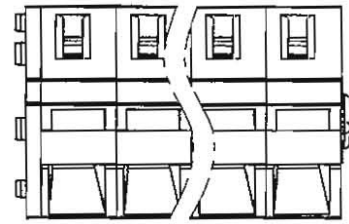
2. Wire range : 0.2~2.5mm²

NOTES2:

1. Dimension shall be interpreted per ASME Y14.5-2009
2. Pitch : 5.08mm, Poles : N=01~24P
3. Stripping length : 5~6mm
4. Operating temperature : -40°C~+105°C
5. Undimensioned tolerances:

Pitch range in mm		Nominal dimension range in mm						0.1/10
TO	Over	TO	Over	TO	Over	TO	Over	<
6	10	10	30	30	60	100	150	
±0.15	±0.20	±0.30	±0.30	±0.50	±0.70	±1.00	±1.30	

6. RoHS Compliance



PCB LAYOUT

DG245 - 5.08 - XXP - 1Y - 00A (H)
 (Series No.) (Pitch) (Poles) (Single Pitch) (Color): 1.(Grey)
 2.(Blue)
 3.(Black)
 4.(Green)
 5.(Orange)
 6.(Red)
 7.(Transparent)
 8.(Yellow)
 9.(White)



ITEM	NAME OF PART	MATERIAL	NOTES
4	Pin header	Copper alloy	Sn Plated
3	Spring	Stainless steel	
2	Cover	PA66	UL94V-0
1	Housing	PA66	UL94V-0

PART NO.: Series DG245-5.08		NINGBO DEGSON ELECTRONICS CO., LTD.	
APPD: ZHOUWANGP	NAME: DG245-5.08-XXP-1Y-00A(H)	TITLE: CUSTOMER DRAWING	
CHKD: Mak 2019.05.06	DRFT: HS 2017.04.08	REV: TO	TO
THIRD ANGLE PROJECTION		DRAWING NO.: DG245-5.08-C01	SHEET 1/1
MM (INCH)		DO NOT SCALE DRAWING	SCALE 1:1