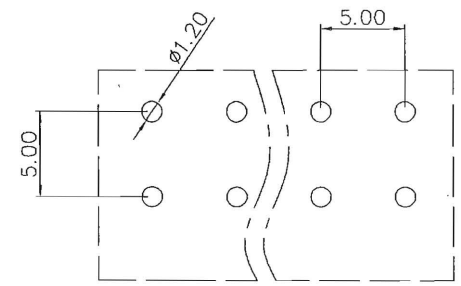
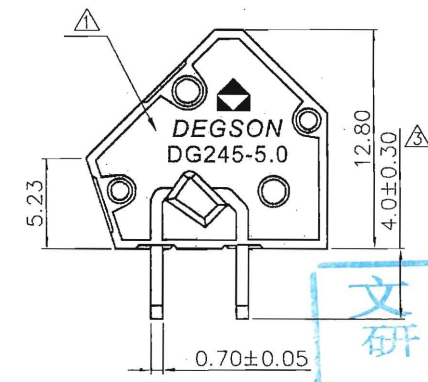
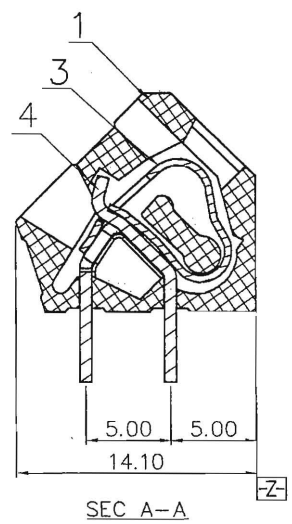
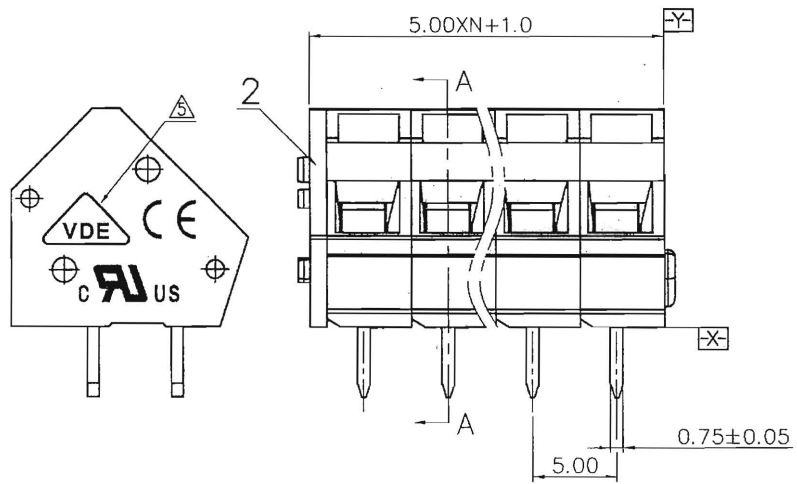
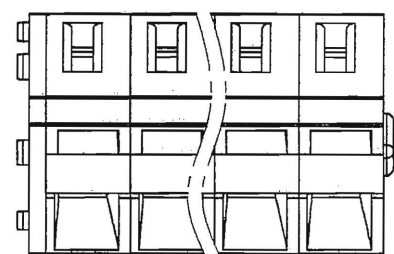


REVISION RECORD				
REV	ECN	DESCRIPTION	DRFT	DATE
△		增加刻字	CSX	04/12/07
△		增加UL刻字	CSX	07/27/07
△		出脚由4.2改为4.0	CSX	08/01/07
△		修改参数	Zengy	12/20/08
△	10-0080	增加“VDE”刻字及参数	Jinhai.Lan	04/16/10
△	15-0193	修改耐压值	MEK	05/26/15

- NOTES:
- 1.DIMENSION SHALL BE INTERPRETED PER ASME Y14.5-2009.
 - 2.PITCH: 5.0MM,POLES: N=XXP
 - 3.RATED VOLTAGE/CURRENT: UL 300V/15A
VDE 450V/17A
 - 4.OPERATION TEMPERATURES: -40℃~+105℃
 - 5.WITHSTANDING VOLTAGE: AC2500V/1MIN △
 - 6.INSULATION RESISTANCE: 5000M Ω/DC1000V
 - 7.WIRE RANGE: 28~12AWG,2.5MM²
 - 8.UNDIMENSIONED TOLERANCES:

PITCH RANGE IN MM		NOMINAL DIMENSION RANGE IN MM					-
TO	OVER	TO	OVER	TO	OVER	TO	OVER
6	6 TO 10	10 TO 24	30 TO 60	60 TO 100	100 TO 150	OVER 150	0.05/10
±0.10	±0.15	±0.25	±0.20	±0.30	±0.50	±0.70	±1.00



文管中心
 研发专用
 2015.06.12
 (仅限内部使用, 对外无效)

ITEM	NAME OF PART	NO. OF PART	Q'TY	MATERIAL	NOTES
2	DG245-5.0-COVER	3025CYY01A(H)	1	PA66	UL94V-0
1	DG245-5.0-HOUSING	3025AYY01A(H)	XX	PA66	UL94V-0

TOLERANCES EXCEPT AS NOTED .X ± .X' ± .XX ± .XX' ± .XXX ± .XXX' ±		MATERIAL: FINISH: PART NO.: Series DG245-5.0		宁波高松电子有限公司 DEGSON NINGBO DEGSON ELECTRICAL CO., LTD NAME: DG245-5.0-XXP-1Y-00A(H)	
ANGLES ± 1'		APPD: Aaron 6/1-15		TITLE: ASSEMBLY DRAWING	
THIRD ANGLE PROJECTION		CHKD: pengy 5/30-15		DRAWING NO.: DG245-5.0-E01	
		DRFT: LIUM 07/13/06		DO NOT SCALE DRAWING SCALE 1:1 SHEET 1/1	

4	DG245 Pin header	3025B00010(H)	XX	Phosphor bronze	Sn plated
3	DG242 Spring	X000000990(H)	XX	Stainless steel	