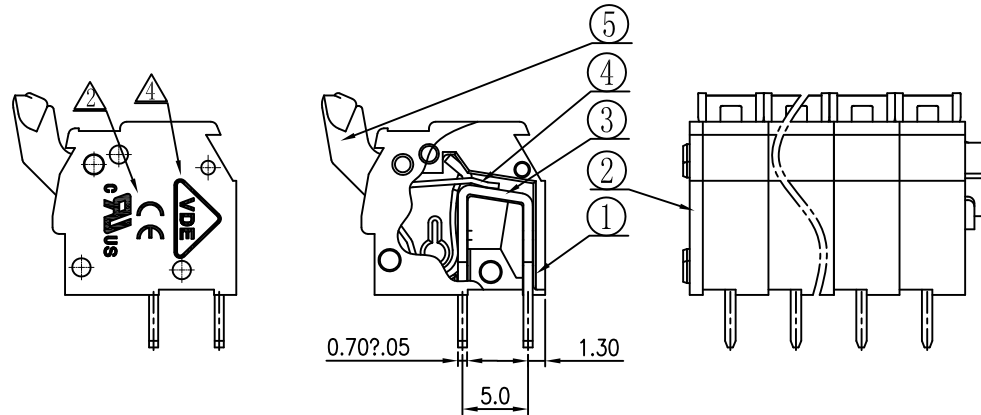
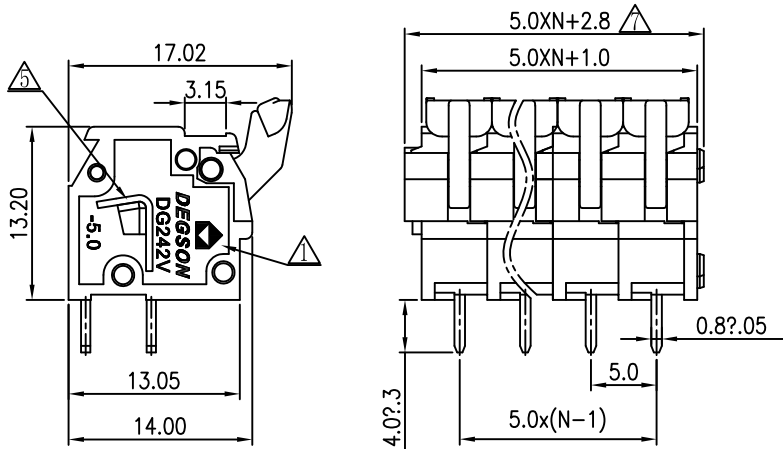
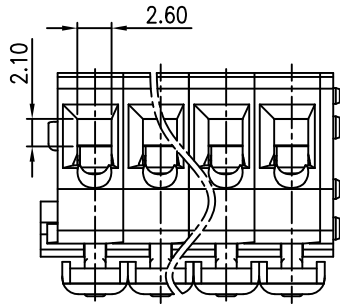


文 管 中 心
研 发 专 用
2013. 11. 21
(仅限内部使用, 对外无效)



REVISION RECORD				
REV	ECO	DESCRIPTION	DRFT	DATE
△		3024D0901A(H) → 3024D1701A(H) 增加"DEGSON"及品名刻字	Ye j	04/14/07
△		增加"UL"及"CE"刻字	WLM	09/09/08
△		修改参数	LJH	12/16/08
△	09-012	增加VDE刻字及参数	GHY	11/23/09
△	11-0068	依实物修改图面	Golden	04/11/11
△		修改耐压值	Ellen	05/16/13
△	13-0230	更正图面尺寸标注错误	NPX	11/07/13

Notes:

- Pitch: 5.0mm, Poles: XXP
- Rated voltage/current: UL 300V/15A
VDE 450V/17A △
- Operation temperatures: -40°C ~ +105°C
- Withstanding Voltage: AC2500V/1Min △
- Insulation Resistance: 5000MΩ/DC1000V
- Wire Range: 28~12AWG, 0.2~2.5mm²
- Undimensioned Tolerances:

Pitch range in mm			Nominal dimension range in mm							
	over 6	over 10		over 30	over 60	over 100	over 150			
to 6	to 10	to 24	to 30	to 60	to 100	to 150			□	
±0.10	±0.15	±0.25	±0.2	±0.3	±0.5	±0.7	±1.0	0.05/10		

ITEM	NAME OF PART	NO. OF PART	Q'TY	MATERIAL	NOTES
5	DG242V-Button	△3024D1701A (H)	XX	POM	UL94HB
4	DG242V-Shrapnel	X000000990 (H)	XX	Stainless steel	
3	DG242V-Pin header	3024B00010 (H)	XX	Phosphor bronze	SnCe Plated
2	DG242V-Cover	3024C0Y01A (H)	1	PA66	UL94V-0
1	DG242V-5.0-Housing	3024A0Y01A (H)	XX	PA66	UL94V-0

DETACHED LISTS	MM (INCH)	DFTO ExpsAny	DATE 04/11/06"	 DEGSON ELECTRONICS CO., LTD 中 德 电 子 有 限 公 司
	TOLERANCES EXCEPT AS NOTED	CHKD	DATE	
	MFO	DATE		
	APPVL	DATE		
NAME	DG242V-5.0-XXP-1Y-00A(H)			DRAWING NO. DG242V-5.0-E01 /PART NO.
FINISH :	SCALE : 1:1		SIZE A3	
THIRD ANGLE PROJECTION	DO NOT SCALE DRAWING		SHEET 1	REV 17 11/07/13