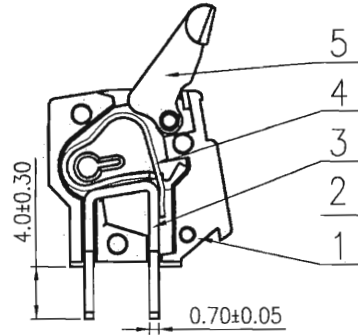
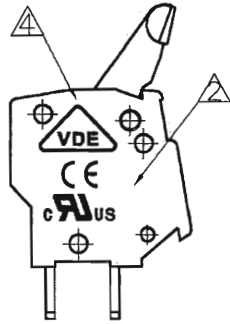
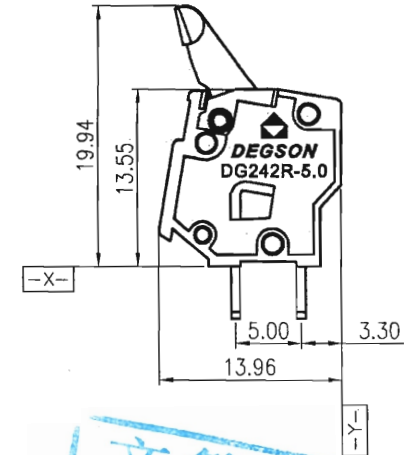
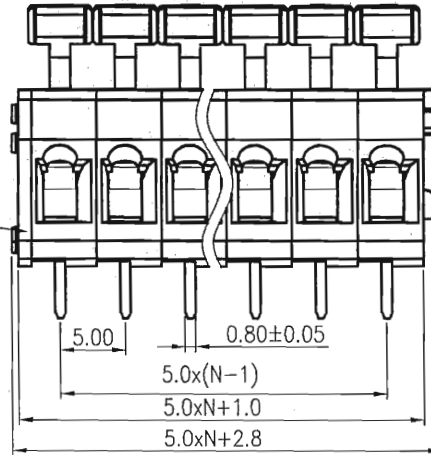


REVISION RECORD				
REV	ECN	DESCRIPTION	DRFT	DATE
△1		品名、料号增加环保标示“(H)”	LJH	12/08/07
△2		增加UL、CE刻字	CSX	04/12/08
△3		修改参数	LJH	12/16/08
△4	09-0120	增加VDE刻字及参数	GHY	11/23/09
△5	15-0216	修改耐压值	WWF	06/08/15

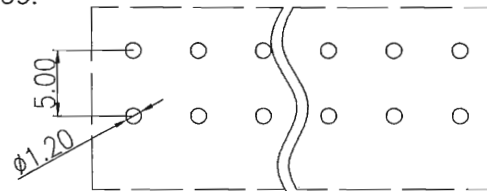


TAKE OFF COVER VIEW

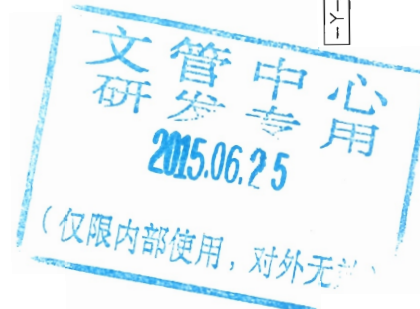


NOTES:

- 1.DIMENSION SHALL BE INTERPRETED PER ASME Y14.5-2009.
- 2.PITCH: 5.0MM ,POLES: XXP
- 3.RATED VOLTAGE/CURRENT: UL 300V/15A
VDE 450V/17A △
- 4.OPERATION TEMPERATURES: -40℃~+105℃
- 5.WITHSTANDING VOLTAGE: AC2500V/1MIN △
- 6.INSULATION RESISTANCE: 5000M Ω/DC1000V
- 7.WIRE RANGE: 28~12AWG, 0.2~2.5MM²
- 8.UNDIMENSIONED TOLERANCES:



TOP VIEW-LAYOUT



Pitch range in mm			Nominal dimension range in mm					—
to	over	over	to	over	over	over	over	∩
6	6	10	30	30	60	100	150	□
±0.10	±0.15	±0.25	±0.2	±0.3	±0.5	±0.7	±1.0	0.05/10

ITEM	NAME OF PART	NO. OF PART	Q'TY	MATERIAL	NOTES
5	DG243-Button	3027D1701A(H)	XX	POM	UL94HB
4	DG242R-Shrapnel	X000000990(H)	XX	Stainless steel	
3	DG242R-Pin header	3026B00010(H)	XX	Phosphor bronze	Sn Plated
2	DG242R-Cover	3026CYY01A(H)	1	PA66	UL94V-0
1	DG242R-5.0-Housing	3026AYY01A(H)	XX	PA66	UL94V-0

MM (INCH)		MATERIAL:		宁波高正电子有限公司		
TOLERANCES EXCEPT AS NOTED		FINISH:		DEGSON® DEGSON ELECTRONICS CO., LTD		
.X ±	.X" ±	PART NO.:		NAME:		
.XX ±	.XX" ±			DG242R-5.0-XXP-1Y-00A(H)		
.XXX ±	.XXX" ±			TITLE: ASSEMBLY DRAWING		
ANGLES ± 1°		APPD: Aaron bhp/15		DRAWING NO.: DG242R-5.0-E01		REV T5
THIRD ANGLE PROJECTION		CHKD: penny/19-15		DO NOT SCALE DRAWING		SHEET 1/1
		DRFT: Alan 03/10/06		SCALE N/A		