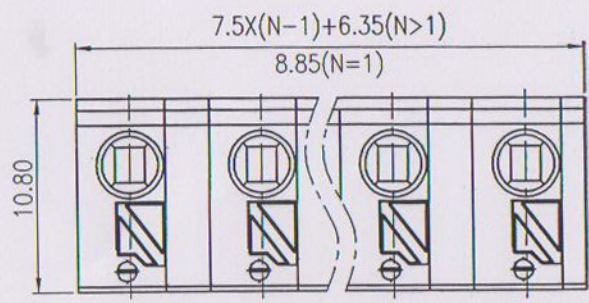
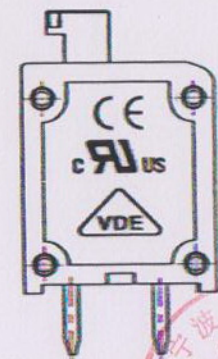
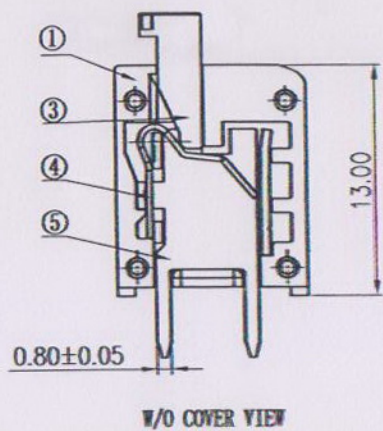
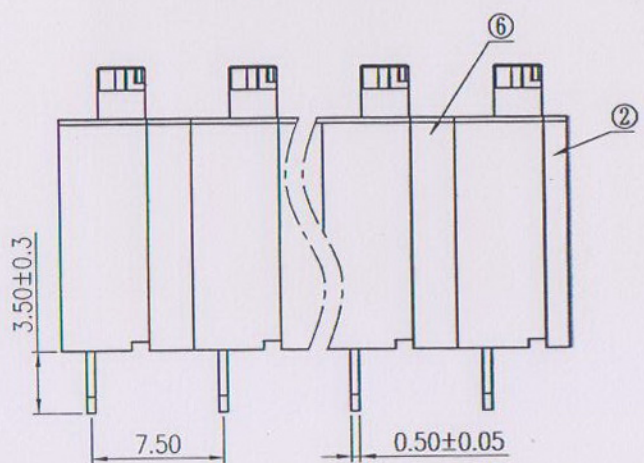
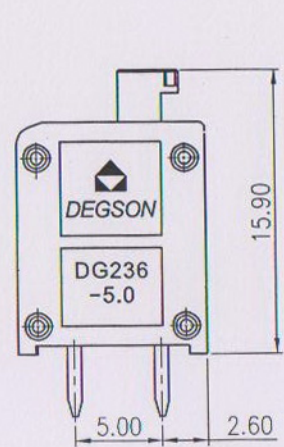


REVISION RECORD				
REV	EDN	DESCRIPTION	DIST	DATE
△	10-0240	通过UL认证, 变更参数	Yinbin.Lan	07/29/10

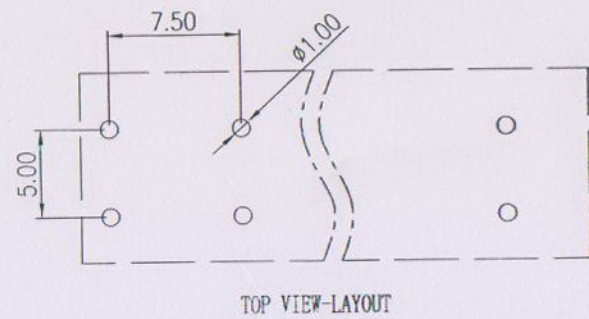


- Notes:
1. Pitch: 7.5mm, Poles: XXP
 2. Rated voltage/current: UL 300V/8A
IEC 250V/17.5A
 3. Operation temperatures: -40°C ~ +105°C
 4. Withstanding Voltage: AC2000V/1Min
 5. Insulation Resistance: 5000MΩ/DC1000V
 6. Wire Range: 28~16AWG, 1.5mm² △
 7. Undimensioned Tolerances:

Pitch range in mm		Nominal dimension range in mm					
to 6	over 6 to 10	over 10 to 24	over 30 to 60	over 60 to 100	over 100 to 150	over 150	—
±0.10	±0.15	±0.25	±0.2	±0.3	±0.5	±0.7	±1.0 max



宁波高正电
管中心
2012.7.08



ITEM	NAME OF PART	NO. OF PART	QTY	MATERIAL	NOTES
6	DG236-7.5 Calboard	3020HD701A (H)		PAGE	UL94V-0
5	DG236-5.0 Pin header	3020B00010 (H)	XX	Pure copper	SnCe
4	DG236-5.0 Spring	X000000590 (H)	XX	Stainless Steel	
3	DG236-5.0 Button	3020D0701A (H)	XX	PAGE	UL94V-0
2	DG236-5.0 Cover	3020C0701A (H)	I	PAGE	UL94V-0
1	DG236-5.0 Housing	3020M0701A (H)	XX	PAGE	UL94V-0

<table border="1"> <tr> <td>DATE CHG</td> <td>DATE</td> <td>DATE</td> </tr> <tr> <td>DATE</td> <td>DATE</td> <td>DATE</td> </tr> </table>	DATE CHG	DATE	DATE	DATE	DATE	DATE	<table border="1"> <tr> <td>DATE</td> <td>DATE</td> </tr> <tr> <td>DATE</td> <td>DATE</td> </tr> </table>	DATE	DATE	DATE	DATE	<p>DEGSON 宁波高正电子有限公司 DEGSON ELECTRONICS CO., LTD</p> <p>NAME: DG236-7.5-XXP-1Y-00A</p> <p>DRAWING NO: DG236-7.5-036</p> <p>SHEET 1</p>
DATE CHG	DATE	DATE										
DATE	DATE	DATE										
DATE	DATE											
DATE	DATE											