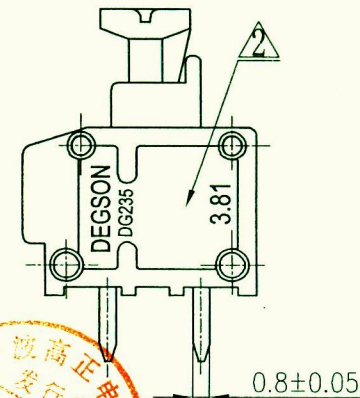
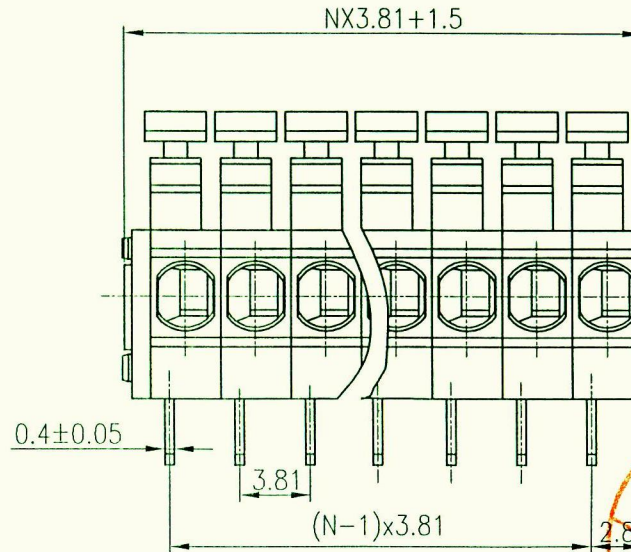
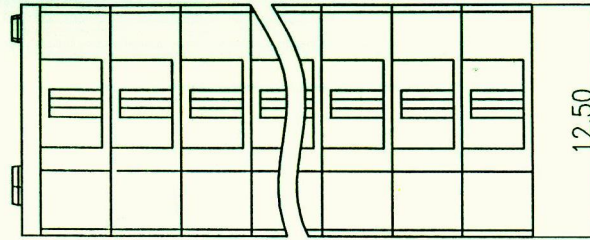
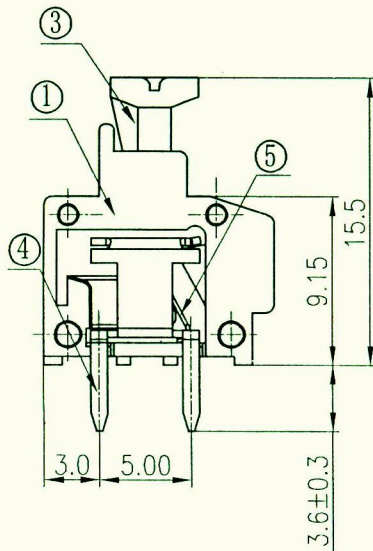
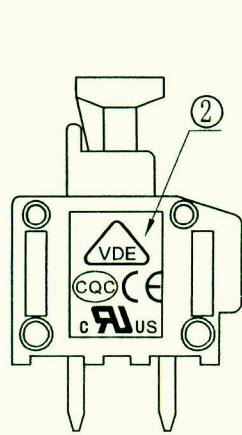


REVISION RECORD				
REV	ECO	DESCRIPTION	DRFT	DATE
△		图面更新	HW	04/11/06*
△		工程变更: 去掉电压、电流刻字	WLM	08/09/06*



Notes:

- Pitch: 3.81mm, Poles: XXP
- Rated voltage/current: UL 300V/5A  
VDE 250V/10A
- Operation temperatures: -40°C ~ +105°C
- Withstanding Voltage: AC2000V/1min
- Insulation Resistance: 5000MΩ/DC1000V
- Wire Range: 20~18AWG, 1.5mm<sup>2</sup>
- Undimensioned Tolerances:

Pitch range in mm			Nominal dimension range in mm					
to	over	to	to	over	over	over	to	
6	6	10	10	30	60	100	150	
±0.10	±0.15	±0.25	±0.2	±0.3	±0.5	±0.7	±1.0	0.05/10

ITEM	NAME OF PART	NO. OF PART	Q'TY	MATERIAL	NOTES
5	DG235-3.81-Clamp	X00000390 (H)	XX	Stainless Steel	
4	DG235-3.81-Pin header	3007B00010 (H)	XX	Phosphor Bronze	SnCe plated
3	DG235-3.81 Button	3007D0Y01A (H)	XX	PA66	UL94V-0
2	DG235 Cover	3008C0Y01A (H)	1	PA66	UL94V-0
1	DG235-3.81 Housing	3007A0Y01A (H)	XX	PA66	UL94V-0

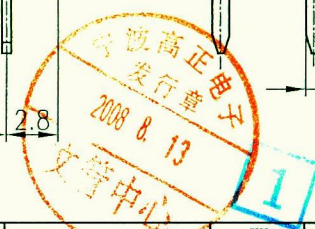
DETACHED LISTS	MM (INCH)	DFTO Zhuwm	DATE 08/02/04	宁波高正电子有限公司 DEGSON ELECTRONICS CO., LTD
	TOLERANCES EXCEPT AS NOTED	CHKD <i>WJ</i>	DATE <i>07/12/04</i>	
	MATERIAL:	APPL. <i>Hang</i>	DATE <i>08/12/04</i>	
	ANGLES ± 1°	G.E.:	FINISH:	
THIRD ANGLE PROJECTION	SCALE: 1:1	DO NOT SCALE DRAWING	SHEET 1 OF 1	

NAME: DG235-3.81-XXP-1Y-00A(H)

DRAWING NO. DG235-3.81-E02

SIZE A3

REV T2 08/09/06\*



\\Degson-wenguan\010 文管中心 查收图面\DG235-3.81.dwg, 2008-8-11 20:29:26, \\DEGSON-WENGUAN\HP LaserJet 1020