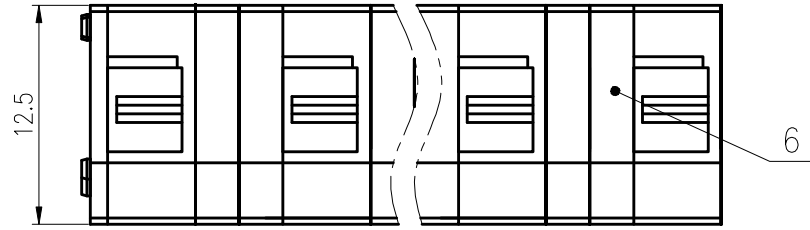
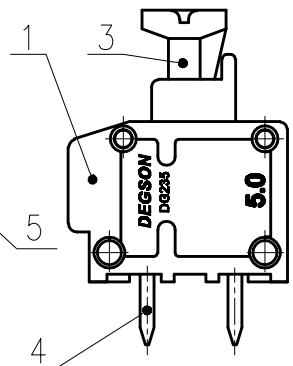
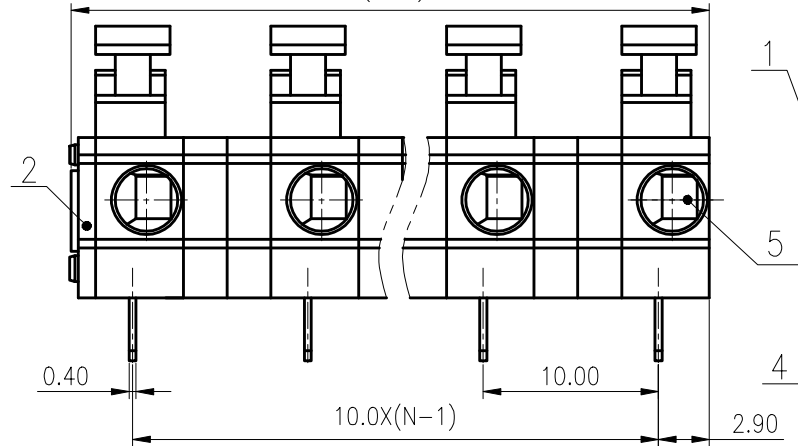
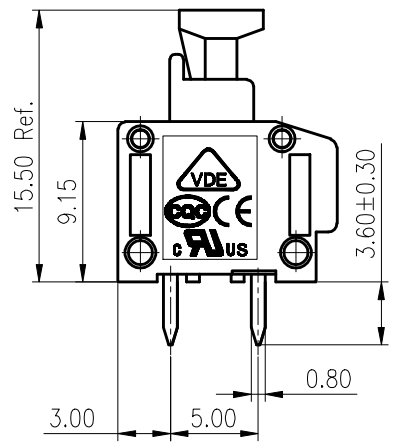


未注公差/General tolerances(mm)											D 0.1/10	
0	>3	>6	>10	>18	>30	>50	>80	>120	>180	>250		
~3	~6	~10	~18	~30	~50	~80	~120	~180	~250	~315	>400	>500
±0.12	±0.18	±0.22	±0.26	±0.31	±0.37	±0.57	±0.80	±0.93	±1.05	±1.15	±1.60	±2.20

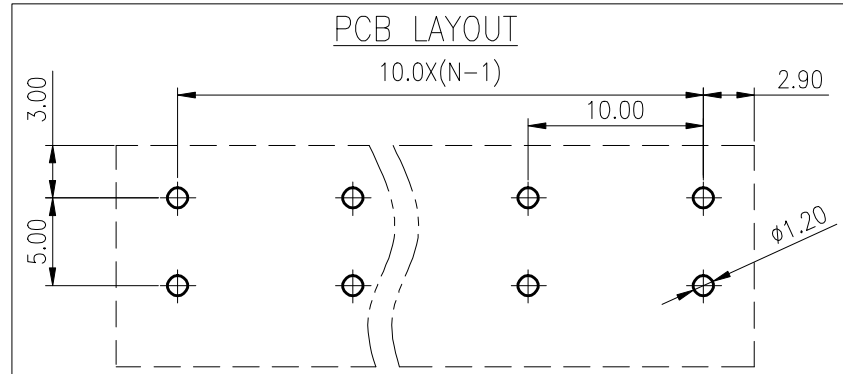
A



B



C



UL 标准/UL Standard:	B	C	D
额定电压/电流/Rated Voltage(V)/Current(A)	300/5	300/5	300/5
IEC 标准/IEC Standard:			
过压类别/Overvoltage Category/污染等级/Pollution Degree	Ⅲ/3	Ⅲ/2	Ⅱ/2
额定电压/电流/Rated Voltage(V)/Current(A)	400/17.5	1000/17.5	1000/17.5
额定脉冲电压(KV)/Rate Impulse Voltage(KV)	8	8	8
线径范围(硬线和软线)/Wire Range(rigid and flexible)(mm ² /AWG)	0.2~1.5,2.5(Sol)/20~18		
间距/Pitch(mm)/线数范围/Poles	10.0/N=02~12P		
剥线长度/Stripping length(mm)	10		
使用温度范围/Operating temperature(°C)	-40~+105		
符合RoHS环保要求/Conform to RoHS	Yes		
标准颜色编号/Standard color number: PANTONE / RAL	/		

D

6	Calpboard	PA66	UL94V-0
5	Spring	Stainless steel	/
4	Pin header	Copper alloy	Sn Plated
3	Button	PA66	UL94V-0
2	Cover	PA66	UL94V-0
1	Housing	PA66	UL94V-0
ITEM	NAME OF PART	MATERIAL	NOTES

REV	ECN	DESCRIPTION	DRFT	DATE

MATERIAL:	/	SURFACE:	/
MAT NO.:	/		
STATUS:	/		
APPD:	LiGL 202.05.28	NAME:	
CHKD:	Mek 2020.05.28		
DRFT:	MiSh 2020.05.28		

宁波高松电子有限公司 NINGBO DEGSON ELECTRICAL CO., LTD			
NAME: DG235-10.0-XXP-1Y-00A(H)			
DRAWING NO.:		DG235-10.0-C03	REV TO
TYPE: CUSTOMER DRAWING		SCALE: 2.5:1	SHEET 1/1