

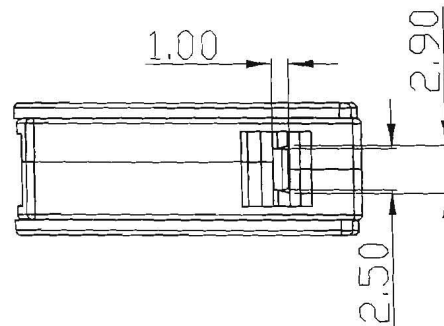
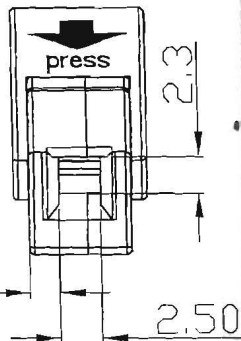
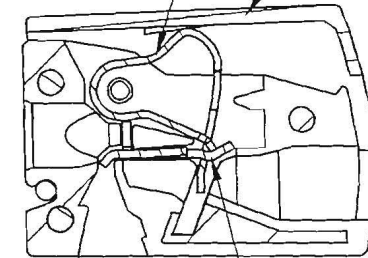
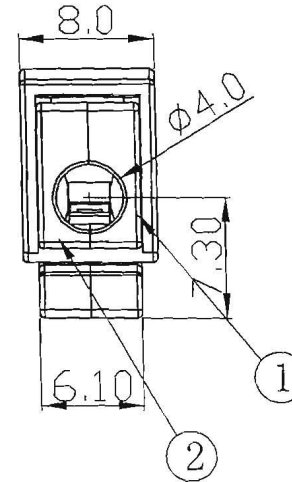
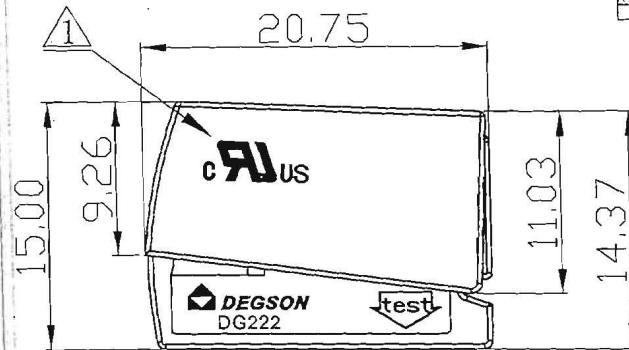
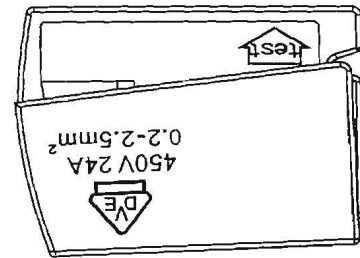
REVISION RECORD					
REV	ECN	DESCRIPTION	DRFT	DATE	
△	10-01	增加UL刻字	David.G	05/26/10	

Notes:

- Rated voltage/current: UL 300V/22A
VDE 450V/24A
- Operation temperatures: -40° C~+105° C
- Insulation Resistance: 5MΩ/DC500V
- Withstanding voltage: AC2500V/1Min
- Wire Range: "A" Direction 14~12AWG, 1.0~2.5mm² (Solid)
"B" Direction 22~12AWG, 0.2~2.5mm² (solid+strand wire)
- Undimensioned Tolerances:



Pitch range in mm		Nominal dimension range in mm						
to	over	to	over	to	over	to	over	
6	10	6	10	30	60	100	150	∩
6	24	6	24	30	60	100	150	∇
±0.10	±0.15	±0.25	±0.2	±0.3	±0.5	±0.7	±1	0.05/10



ITEM	NAME OF PART	NO. OF PART	Q'TY	MATERIAL	NOTES
2	DG222-8.0 Housing2	3042A0Y01C(H)	1	PA66	UL94V-0
1	DG222-8.0 Housing1	3042A0Y01A(H)	1	PA66	UL94V-0

MM (INCH)	DFTO LIN	DATE 11/26/07
TOLERANCES EXCEPT AS NOTED	CHKD	DATE
MM	MFD	DATE
.0 ±	APPVL	DATE
.00 ±		
.000 ±		
ANGLES ± 1°	GE	
THIRD ANGLE PROJECTION	FINISH	
	SCALE: 1:1	

宁波高正电子有限公司 NINGBO DEGSON ELECTRICAL CO., LTD	
NAME	
DG222-8.0-01P-1Y-00A(H)	
DRAWING NO. DG222-8.0-E01	SIZE A4
/PART NO. Series DG222-8.0	REV T1
DO NOT SCALE DRAWING	SHEET 1 of 1

ITEM	NAME OF PART	NO. OF PART	Q'TY	MATERIAL	NOTES
5	DG222 Current carrier	3042B00010(H)	1	Copp	SnCe
4	DG222 Spring	X000003780(H)	1	stainless steel	
3	DG222-8.0 Cover	3042C0Y01A(H)	1	PA66	UL94V-0