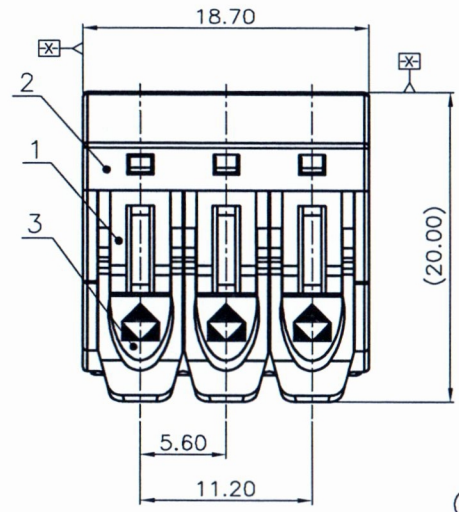
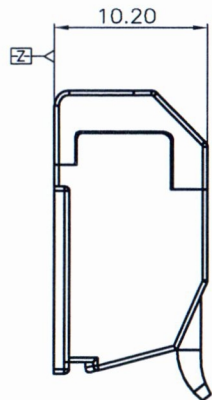
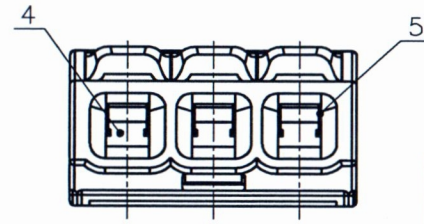


REVISION RECORD				
REV	ECN	DESCRIPTION	DRFT	DATE
00-2	/	Outlook amendment	WW	2018.05.25
00-3	/	Revised drawings	WW	2018.07.06



DG221 - 5.6 - 03P - 1Y - 00A (H)
 (Series No.) (Pitch) (Poles) (Single Pitch) (Color): 1.(Grey) 2.(Blue) 3.(Black) 4.(Green) 5.(Orange) 6.(Red) 7.(Transparent) 8.(Yellow) 9.(White)
 (RoHS)
 00A-(Standard)

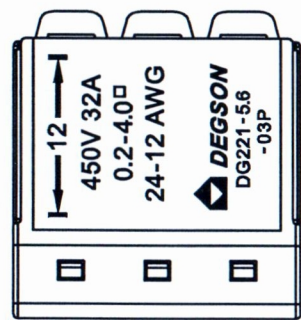
- NOTES1:
- UL Standard
 - 1.Rated voltage/current : 300V/20A
 - 2.Wire range : 24~12AWG
- IEC Standard
- 1.Rated voltage/current : 450V / 32A
 - 2.Wire range : 0.2~4.0mm²



- NOTES2:
- Dimension shall be interpreted per ASME Y14.5-2009
 - Pitch : 5.6mm, Poles : 03P
 - Stripping length : 12mm
 - Withstanding voltage : AC2500V/1Min
 - Operating temperature: -40°C~+85°C
 - Undimensioned tolerances:

Pitch range in mm		Nominal dimension range in mm						
TO	Over	TO	Over	TO	Over	TO	Over	0.1/10
6	6 TO 10	30	30 TO 60	60	60 TO 100	100	100 TO 150	<
		±0.15	±0.20	±0.30	±0.30	±0.50	±0.70	±1.00
								±2'

7.RoHS Compliance



仅供参考
 签字: [Signature]
 日期: 2018.07.06

ITEM	NAME OF PART	MATERIAL	NOTES
5	Current carrier	Copper alloy	Sn Plated
4	Spring	Stainless steel	
3	Button	PA66+GF	UL94V-0
2	Cover	PC	UL94V-2
1	Housing	PC	UL94V-2

PART NO.: /		宁波高松电子有限公司 NINGBO DEGSON ELECTRICAL CO., LTD	
APPD: <i>Alan 2018.07.06</i>		NAME: DG221-5.6-03P-1Y-00A(H)	
CHKD:		TITLE: CUSTOMER DRAWING	
DRFT: WW 2018.04.18		REV: D0-3	
		DRAWING NO.: DG221-5.6-03P-C01	SHEET: 1/1
THIRD ANGLE PROJECTION		MM (INCH)	DO NOT SCALE DRAWING
		SCALE: 1:1	