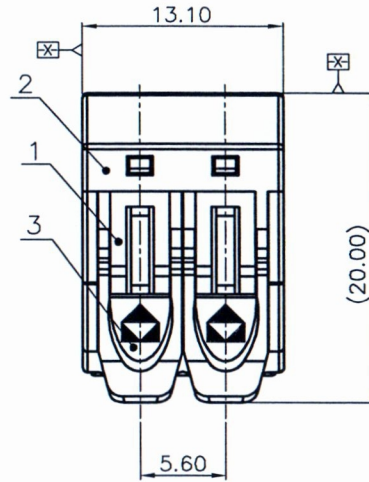
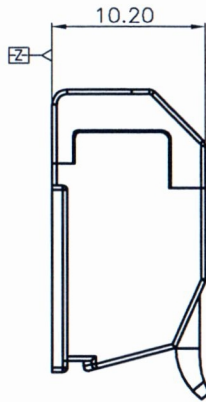
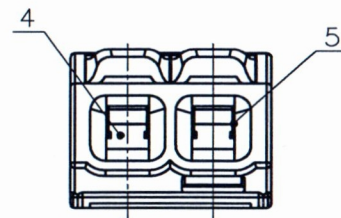


REVISION RECORD

REV	ECN	DESCRIPTION	DRFT	DATE
00-2	/	Outlook amendment	WW	2018.05.25
00-3	/	Revised drawings	WW	2018.07.06



DG221 - 5.6 - 02P - 1Y - 00A (H)  
 (Series No.) (Pitch) (Poles) (Single Pitch) (Color): 1.(Grey) 2.(Blue) 3.(Black)  
 4.(Green) 5.(Orange) 6.(Red) 7.(Transparent) 8.(Yellow) 9.(White)  
 (RoHS)  
 00A-(Standard)



NOTES1:

UL Standard

- 1.Rated voltage/current : 300V/20A
- 2.Wire range : 24~12AWG

IEC Standard

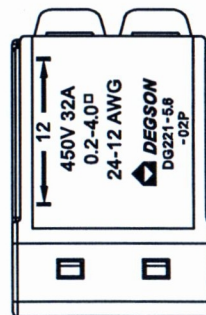
- 1.Rated voltage/current : 450V / 32A
- 2.Wire range : 0.2~4.0mm<sup>2</sup>

NOTES2:

- 1.Dimension shall be interpreted per ASME Y14.5-2009
- 2.Pitch : 5.6mm, Poles : 02P
- 3.Stripping length : 12mm
- 4.Withstanding voltage : AC2500V/1Min
- 5.Operating temperature: -40°C~+85°C
- 6.Undimensioned tolerances:

Pitch range in mm		Nominal dimension range in mm					-	∩	∇
Over 6 TO 10	Over 10 TO 24	Over 30 TO 60	Over 60 TO 100	Over 100 TO 150	Over 150	0.1/10			
±0.15	±0.20	±0.30	±0.50	±0.70	±1.00	±1.30	±2'		

7.RoHS Compliance



仅供參考圖  
 签字: 蓝贵A  
 日期: 2018.07.06

ITEM	NAME OF PART	MATERIAL	NOTES
5	Current carrier	Copper alloy	Sn Plated
4	Spring	Stainless steel	
3	Button	PA66+GF	UL94V-0
2	Cover	PC	UL94V-2
1	Housing	PC	UL94V-2

DETACHED LISTS	PART NO.:	宁波高松电子有限公司 NINGBO DEGSON ELECTRICAL CO., LTD		
	APPD: <i>Alan 2018.07.06</i>	NAME: DG221-5.6-02P-1Y-00A(H)		
	CHKD:	TITLE: CUSTOMER DRAWING		
	DRFT: WW 2018.04.18	REV: D0-3	SHEET: 1/1	
THIRD ANGLE PROJECTION		DRAWING NO.: DG221-5.6-02P-C01	SCALE: 1:1	

MM (INCH) DO NOT SCALE DRAWING