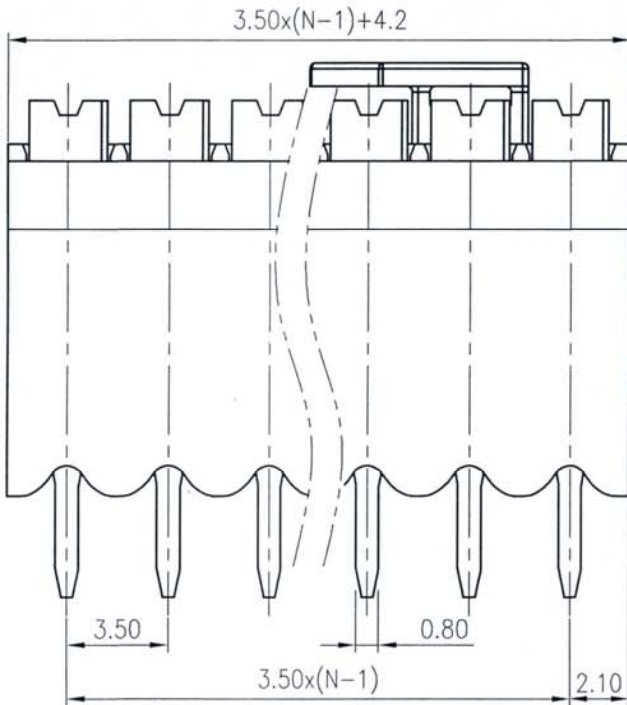
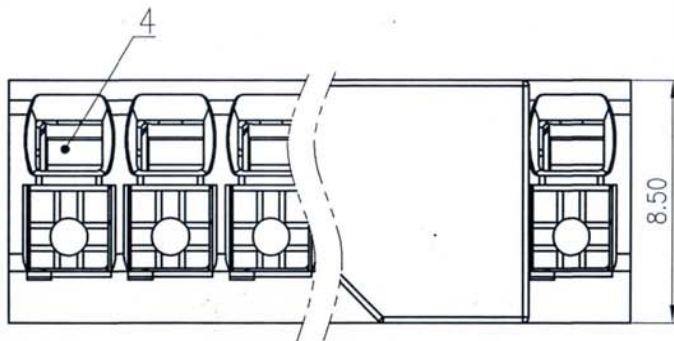
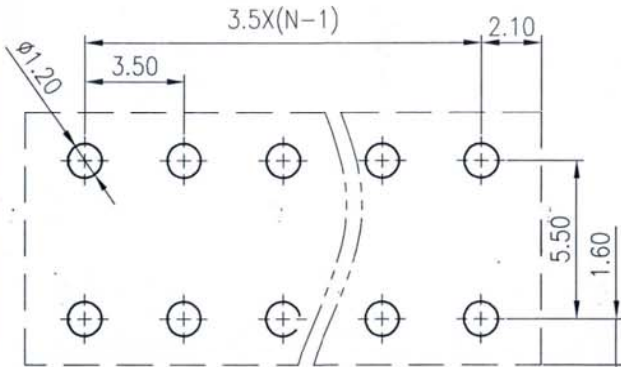


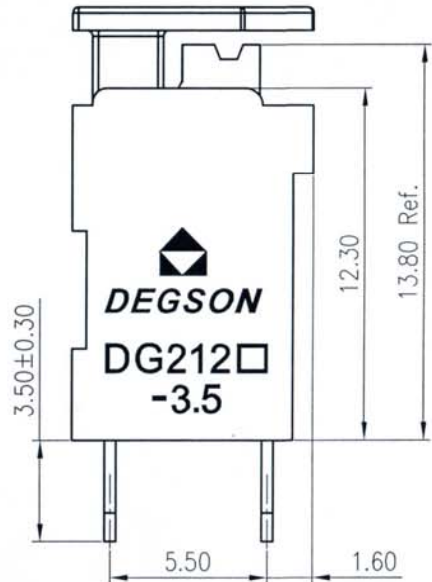
PCB LAYOUT



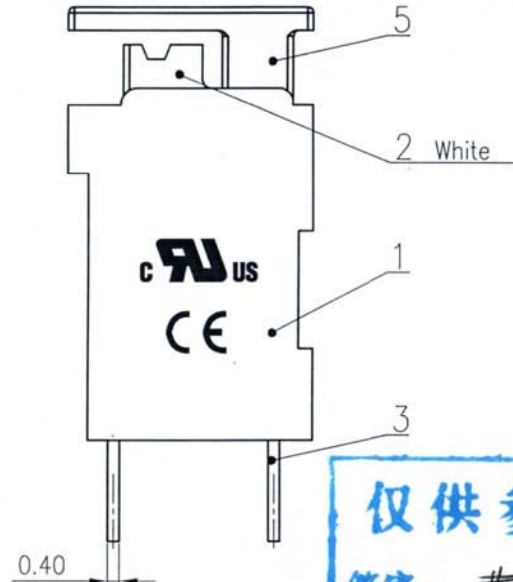
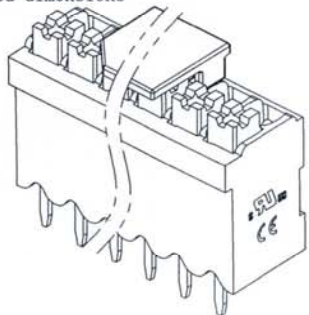
未注公差/General tolerances(mm)													D		
0	>3	>6	>10	>18	>30	>50	>80	>120	>180	>250	>315	>400	>500	0.1/10	±Z'
~3	~6	~10	~18	~30	~50	~80	~120	~180	~250	~315	~400	~500	>500		
±0.12	±0.18	±0.22	±0.26	±0.31	±0.37	±0.57	±0.80	±0.93	±1.05	±1.15	±1.60	±2.20	±2.50		

UL 标准/UL Standard:	B	C	D
额定电压/电流/Rated Voltage(V)/Current(A)	300/12	/	300/10
UL工频耐压/R.M.S withstand voltage	AC1600V/1Min		
IEC 标准/IEC Standard:			
过压类别/Overvoltage Category/污染等级/Pollution Degree	III/3	III/2	II/2
额定电压/电流/Rated Voltage(V)/Current(A)	200/17.5	200/17.5	320/17.5
额定脉冲电压(KV)/Rate Impulse Voltage(KV)	2.5	2.5	2.5
线径范围(硬线和软线)/Wire Range(rigid and flexible)(AWG/mm <sup>2</sup> )	28~14/0.2~1.5		
间距/Pitch(mm)/线数范围/Poles	3.5/N=02P,03P,06P,10P		
剥线长度/Stripping length(mm)	8~9		
使用温度范围/Operating temperature(°C)	-40~+130		
符合RoHS环保要求/Conform to RoHS	Yes		
标准颜色编号/Standard color number:	/		
PANTONE / RAL	/		



please refer to the 3D model, for those unmarked dimensions



仅供参考图  
 签字: 劳利木村  
 日期: 2021.03.23

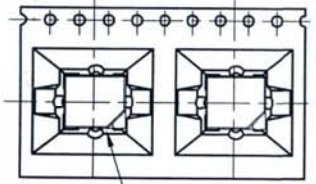
5	Acetabulum	LCP	UL94V-0
4	Spring	Stainless steel	/
3	Pin header	Copper alloy	Sn plated
2	Button	PA66+GF%	UL94V-0
1	Housing	PA4T	UL94V-0
ITEM	NAME OF PART	MATERIAL	NOTES

MATERIAL:	/	SURFACE:	/
MAT NO.:	/	宁波高松电子有限公司 NINGBO DEGSON ELECTRICAL CO., LTD	
STATUS:	/	NAME: DG212V-THR-3.5-XXP-1Y-100R(H)	
APPD:	Q01B 2021.03.23	DRAWING NO.: 10004683	
CHKD:	☞	REV	DO-1
DRFT:	CenX 2021.03.19	SCALE: 4:1	SHEET 1/2
SIZE:	A4	TYPE:	CUSTOMER DRAWING

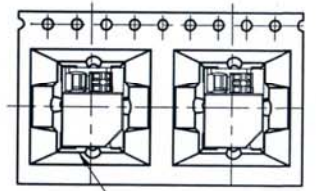
Transfer or duplication of this document as well as the utilization or communication of its contents are prohibited unless explicit authorization is granted. Violations will be liable for compensation. All rights reserved for patent, utility model or designs registrations. 除非经子母授权, 否则禁止转让、复制、利用、交基本文件的内容。侵权必究。本公司保留对专利及发明、实用新型和外观设计的所有权利。

Transfer or duplication of this document as well as the utilization or communication of its contents are prohibited unless explicit authorization is granted. Violations will be liable for compensation. All rights reserved for patent, utility model or designs registrations. 除非经许可或授权，否则禁止转让、复制、利用、交流本文件的内容。未经许可或授权，擅自复制、利用、交流本文件内容的所有权。

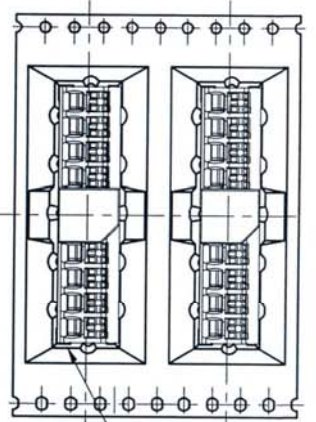
Reel Name	POLE	Width/W	Pitch/P	Width/F	Width/B <sub>0</sub>	Qty. per reel	Reel qty. per carton	Qty. per carton
DG212V-THR-3.5-02P-05RH 卷带(24)	2	24mm	20mm	13.25mm	9.5mm	160	10	1600
DG212V-THR-3.5-03P-05RH 卷带(24)	3	24mm	20mm	13.25mm	13mm	160	10	1600
DG212V-THR-3.5-06P-05RH 卷带(44)	6	44mm	20mm	22mm	30.5mm	160	6	960
DG212V-THR-3.5-10P-05RH 卷带(56)	10	56mm	20mm	28mm	37.5mm	160	5	800



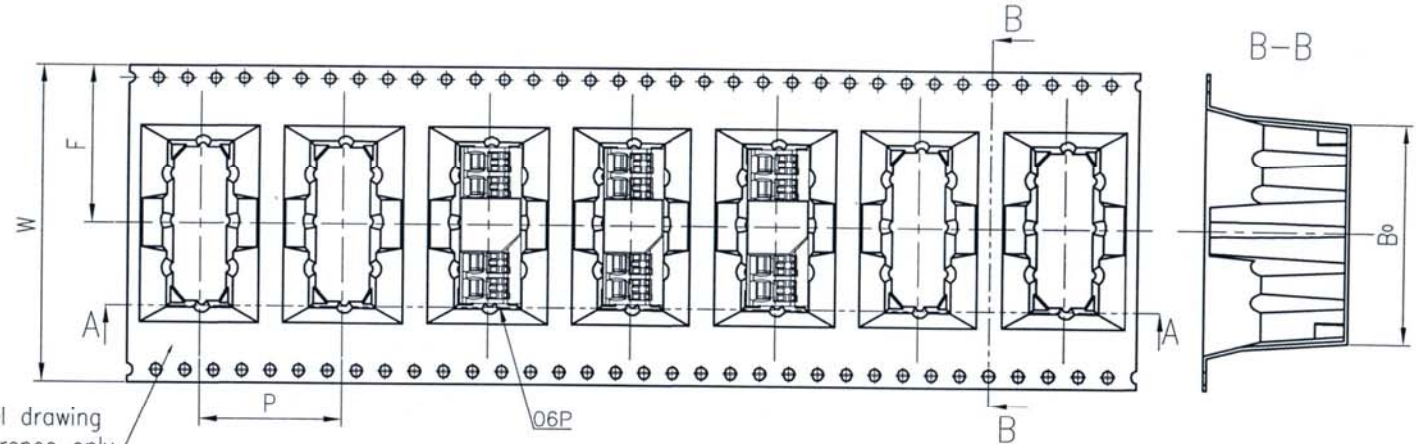
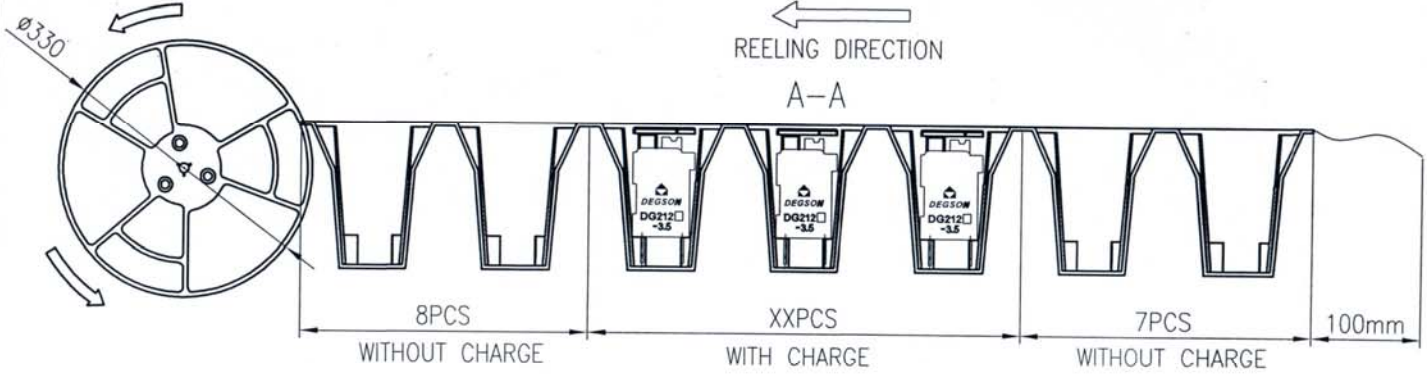
02P



03P



10P



The reel drawing just reference only

**仅供参考图**  
 签字: 曹利彬  
 日期: 2021.03.23

MATERIAL: /		SURFACE: /	
MAT NO.: /		宁波高松电子有限公司 NINGBO DEGSON ELECTRICAL CO., LTD	
STATUS: /			
APPD: CaoLB 2021.03.23	NAME: DG212V-THR-3.5-XXP-1Y-100R(H)	REV: DO-1	
CHKD: /	DRAWING NO.: 10004683	SCALE: 4:1	SHEET 2/2
DRFT: CenX 2021.03.19	TYPE: CUSTOMER DRAWING		
SIZE: A4	mm (inch)		