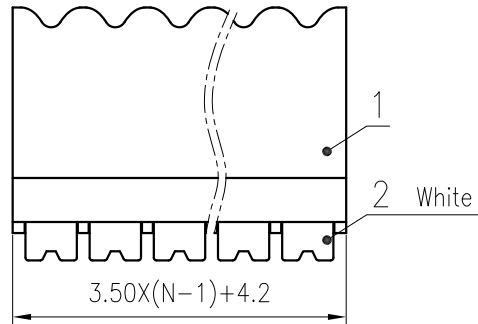
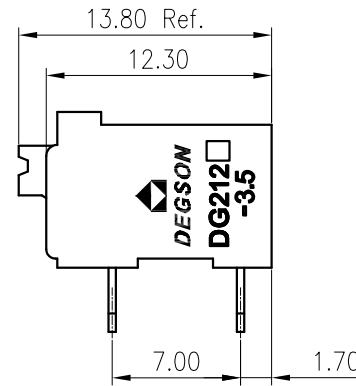
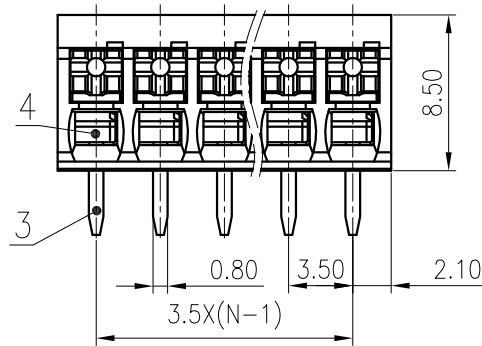
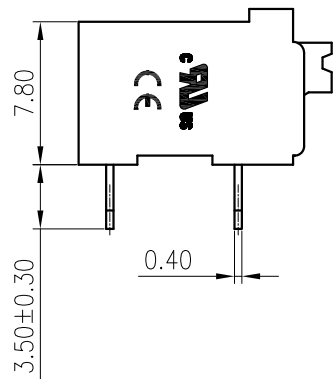
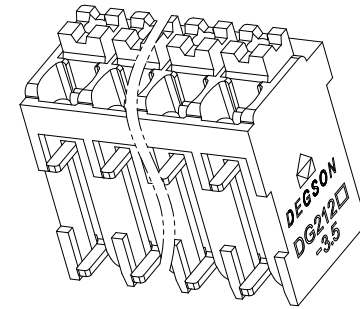


未注公差/General tolerances(mm)														
0	>3	>6	>10	>18	>30	>50	>80	>120	>180	>250	>315	>400	>500	0.1/10 ±2'
~3	~6	~10	~18	~30	~50	~80	~120	~180	~250	~315	~400	~500		
±0.12	±0.18	±0.22	±0.26	±0.31	±0.37	±0.57	±0.80	±0.93	±1.05	±1.15	±1.60	±2.20	±2.50	

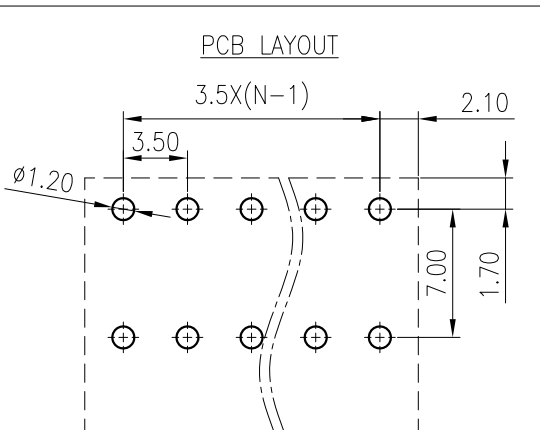


Please refer to the 3D model, for those unmarked dimensions



ITEM	NAME OF PART	MATERIAL	NOTES
4	Spring	Stainless steel	/
3	Pin header	Copper Alloy	Sn Plated
2	Button	PA66	UL94V-0
1	Housing	PA4T	UL94V-0

ITEM	NAME OF PART	MATERIAL	NOTES	
UL 标准/UL Standard:		B	C	D
额定电压/电流/Rated Voltage(V)/Current(A)		300/12	/	300/10
IEC 标准/IEC Standard:				
过压类别/Overvoltage Category/污染等级/Pollution Degree		III/3	III/2	II/2
额定电压/电流/Rated Voltage(V)/Current(A)		200/17.5	200/17.5	320/17.5
额定脉冲电压(KV)/Rate Impulse Voltage(KV)		2.5	2.5	2.5
线径范围(硬线和软线)/Wire Range(rigid and flexible)(AWG/mm ²)		28~14/0.2~1.5		
间距/Pitch(mm)/线数范围/Poles		3.50/N=02,04P		
剥线长度/Stripping length(mm)		8~9		
使用温度范围/Operating temperature(°C)		-40~+130		
符合RoHS环保要求/Conform to RoHS		Yes		
标准颜色编号/Standard color number: PANTONE / RAL		/		



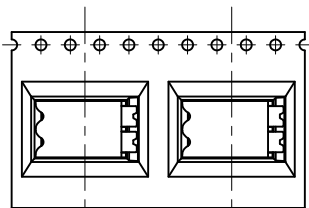
MATERIAL:	SURFACE:		
MAT NO.:	宁波高松电子有限公司 NINGBO DEGSON ELECTRICAL CO., LTD		
STATUS: /			
APPD: Li GL 2021.03.24	NAME: DG212R-THR-3.5-XXP-1Y-100R(H)		
CHKD: Mao J 2021.03.24	DRAWING NO.: 10004686		
DRFT:ZhengQG 2021.03.22	REV: D0-1		REV: D0-1
⊕ SIZE: A4	TYPE: CUSTOMER DRAWING	SCALE: 2.5:1	SHEET 1/2

REV	ECN	DESCRIPTION	DRFT	DATE

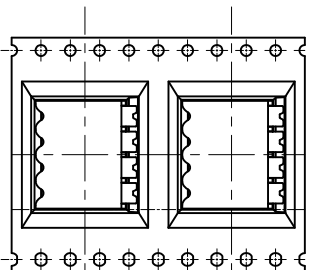
Transfer or duplication of this document as well as the utilization or communication of its contents are prohibited unless explicit authorization is granted. Violations will be liable for compensation. All rights reserved for patent, utility model or designs registrations. 除非给予明确授权，否则禁止转让、复制、利用、交还本文件的内容。未经许可，严禁复制或传播。本公司保留追究法律责任。实用册等外部专利的所有权利。

Reel Name	POLE	Width /W	Pitch /P	Width/F	Width/B0	Qty. per reel	Reel qty. per carton	Qty. per carton
DG212R-THR-3.5-REEL(24)	02	24mm	20mm	11.5mm	8.0mm	250	10	2500
DG212R-THR-3.5-REEL(32)	04	32mm	20mm	14.2mm	15.0mm	250	8	2000

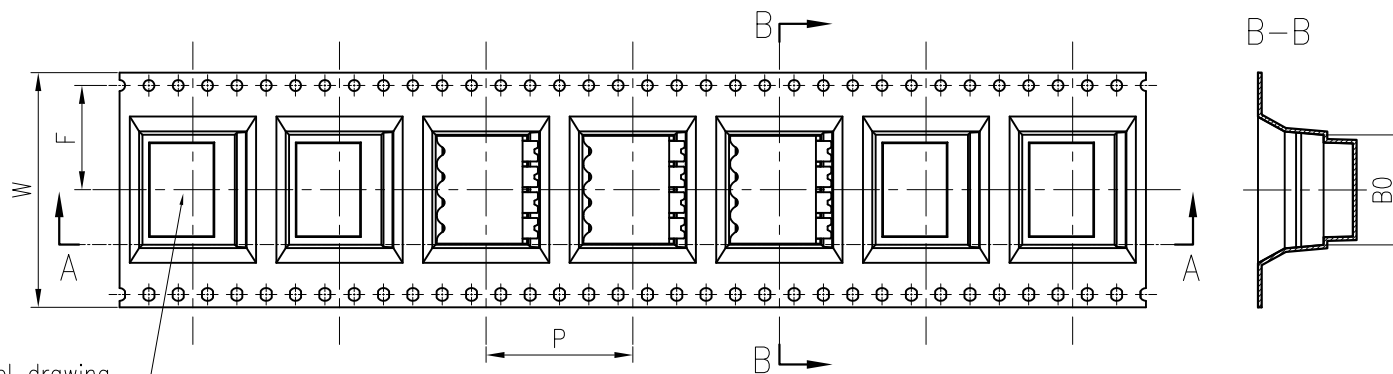
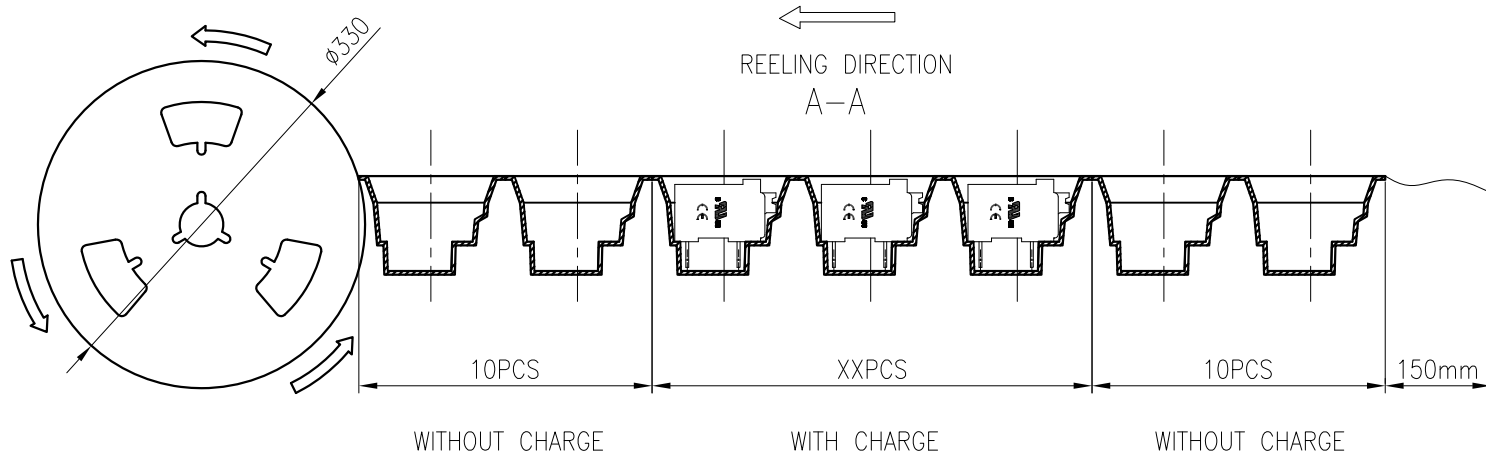
02P,04P Product placement diagram



02P



04P



MATERIAL:		SURFACE:	
MAT NO.:		宁波高松电子有限公司 NINGBO DEGSON ELECTRICAL CO., LTD	
STATUS: /			
APPD: Li GL 2021.03.24		NAME: DG212R-THR-3.5-XXP-1Y-100R(H)	
CHKD: Mao J 2021.03.24		DRAWING NO.: 10004686	
DRFT:ZhengQG 2021.03.22		REV D0-1	
SIZE: A4		TYPE: CUSTOMER DRAWING	
mm (inch)		SCALE: 1:1 SHEET 1/2	

REV	ECN	DESCRIPTION	DRFT	DATE

Transfer or duplication of this document as well as the utilization or communication of its contents are prohibited unless explicit authorization is granted. Violations will be liable for compensation. All rights reserved for patent, utility, model or designs registrations. 除非给予明确授权，否则禁止转让、复制、利用、交易本文件的内容。未经许可擅自涉及发明、实用新型和外观设计的所有权利。