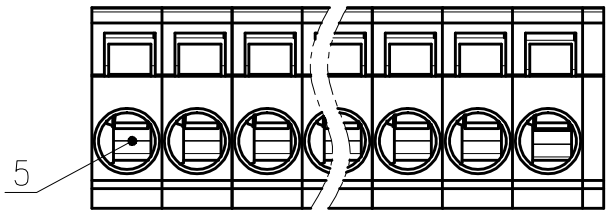
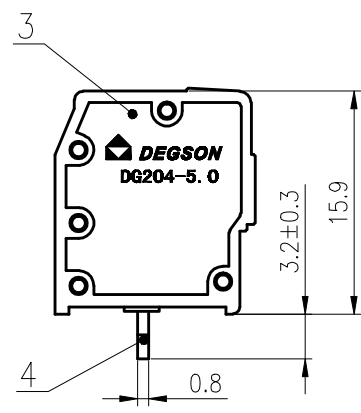
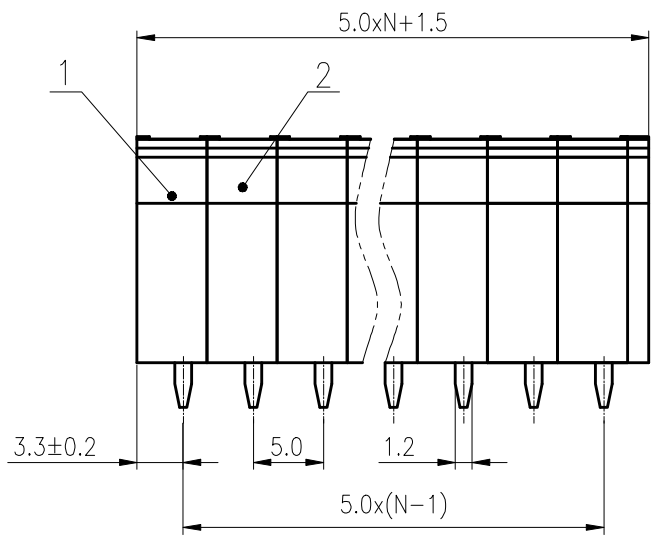
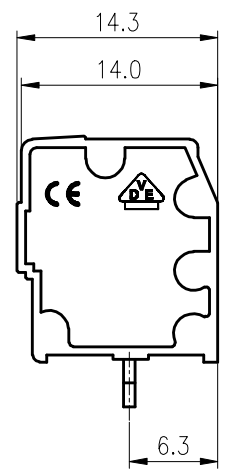


未注公差/General tolerances(mm)											0.1/10 ±2'		
0	>3	>6	>10	>18	>30	>50	>80	>120	>180	>250		>315	>400
~3	~6	~10	~18	~30	~50	~80	~120	~180	~250	~315	~400	~500	~2.50
±0.12	±0.18	±0.22	±0.26	±0.31	±0.37	±0.57	±0.80	±0.93	±1.05	±1.15	±1.60	±2.20	±2.50

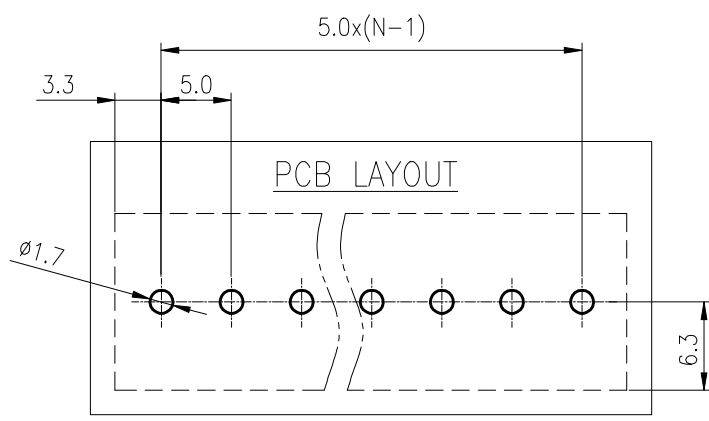
A



B



C



D

**DG204-5.0-XXP-1Y-00AH**  
**DG204-5.0 - series**  
**XXP - number of Poles (number of Pins)**  
**1 - single-row**  
**Y - color of housing (1 - gray color)**  
**00AH - no value**

5	Spring	Stainless Steel	
4	Pin Header	Copper	Sn Plated
3	Cover	PA66	UL94V-0
2	Housing	PA66	UL94V-0
1	Side Housing	PA66	UL94V-0
ITEM	NAME OF PART	MATERIAL	NOTES
UL 标准/UL Standard:		B	C
额定电压/电流/Rated Voltage(V)/Current(A)		300/12	/
IEC 标准/IEC Standard:			
过压类别/Overvoltage Category/污染等级/Pollution Degree		III/3	III/2
额定电压/电流/Rated Voltage(V)/Current(A)		320/20	400/20
额定脉冲电压(KV)/Rate Impulse Voltage(KV)		4	4
线径范围(硬线和软线)/Wire Range(rigid and flexible)(mm <sup>2</sup> /AWG)		0.2~2.5/28~14	
间距/Pitch(mm)/线数范围/Poles		5.00/N=01~24P	
剥线长度/Stripping length(mm)		8~9	
使用温度范围/Operating temperature(°C)		-40~+105	
符合RoHS环保要求/Conform to RoHS		Yes	
标准颜色编号/Standard color number:		/	
PANTONE / RAL		/	

MATERIAL:		SURFACE:	
MAT NO.:	/	<b>宁波高松电子有限公司</b> <b>NINGBO DEGSON ELECTRICAL CO., LTD</b>	
STATUS:	/		
APPD:	Li GL 2020.06.15		
CHKD:	Mao J 2020.06.15		
DRFT:	Wang LX 2020.06.15	NAME: <b>DG204-5.0-XXP-1Y-00A(H)</b>	
DRAWING NO.: DG204-5.0-C01		REV	T1
TYPE: CUSTOMER DRAWING		SCALE: 2:1	SHEET 1/1

REV	ECN	DESCRIPTION	DRFT	DATE