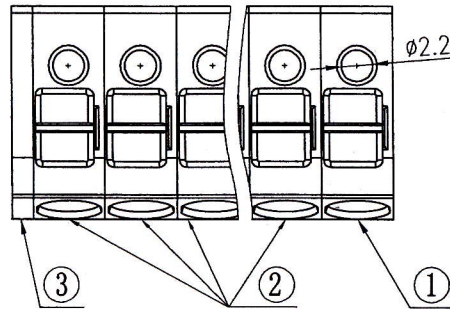
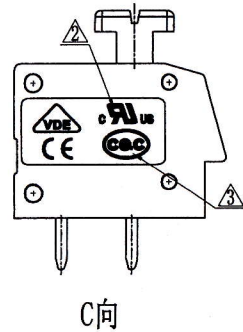
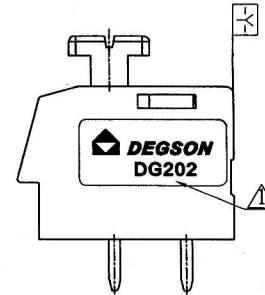
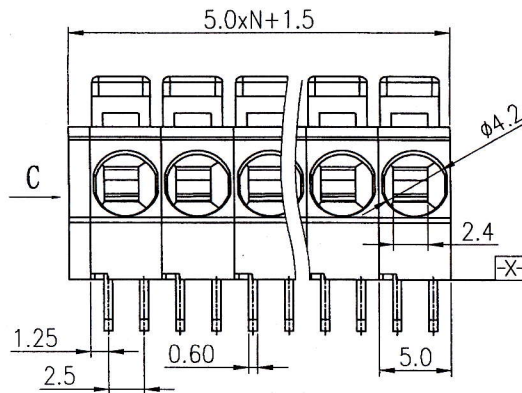
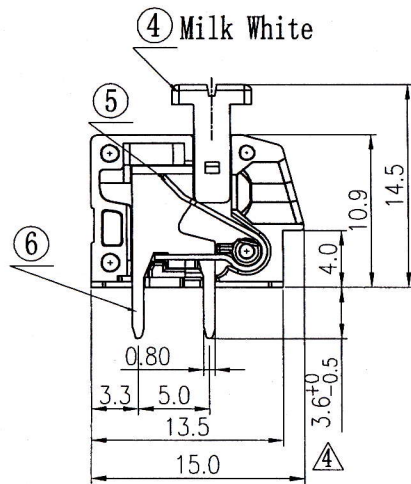


REVISION RECORD				
REV	ECN	DESCRIPTION	DRFT	DATE
△	10-0403	去掉间距刻字	lasting	12/09/10"
△	11-0052	增加UL刻字	Golden	03/23/11"
△	11-0080	增加CQC刻字	Golden	04/21/11"
△	12-0096	应客户要求修改出脚长度	NPX	07/21/12"
△	12-0155	变更按钮料号	NPX	12/06/12"
△	14-0104	变更胶件料号	hbtang	04/18/14"



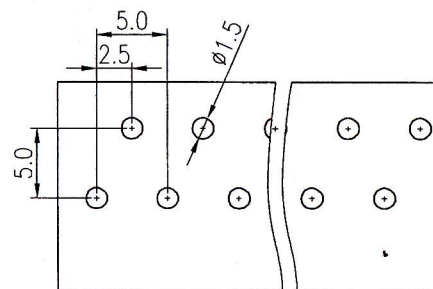
Notes:

- Pitch: 5.0mm , Poles: XXP
- Rated voltage/current: UL 300V/12A
VDE 450V/16A
- Operation temperatures: -40°C ~ +105°C
- Withstanding Voltage: AC2500V/1min
- Insulation Resistance: 5000MΩ / DC1000V
- Wire Range: 20-12AWG 0.2-2.5mm²
- Undimensioned Tolerances:



Pitch range in mm		Nominal dimension range in mm				
to	over	to	over	to	over	to
6	10	6	10	30	60	100
10	24	10	24	30	60	150
±0.10	±0.15	±0.25	±0.2	±0.3	±0.5	±0.7

Out of Cover



PCB LAYOUT

ITEM	NAME OF PART	NO. OF PART	Q"TY	MATERIAL	NOTES
6	DG202-Pin header	3044B00010(H)	XX	Copper	SnCe
5	DG202-Spring	X000003840(H)	XX	Stainless steel	
4	DG202-Button	△ 3044D4901D(H)	XX	PA66	UL94V-0
3	DG202-Cover	△ 3044CYY01A(H)	1	PA66	UL94V-0
2	DG202-Center Housing	△ 3044AYY01C(H)	XX-1	PA66	UL94V-0
1	DG202-Left Housing	△ 3044AYY01A(H)	1	PA66	UL94V-0

MM (INCH) TOLERANCES EXCEPT AS NOTED .X ± .X' ± .XX ± .XX' ± .XXX ± .XXX' ±		MATERIAL: FINISH: PART NO.: APPD: <i>Jean 05/14/14</i> CHK: <i>Alan 05/14/14</i> DRFT: Apple 12/01/09"		DEGSON 宁波高正电子有限公司 DEGSON ELECTRONICS CO., LTD NAME: DG202-5.0-XXP-1Y-00A(H) TITLE: DRAWING NO.: DG202-5.0-E01 DO NOT SCALE DRAWING	
ANGLES ± 1' THIRD ANGLE PROJECTION		REV T6 SHEET 1/1		SCALE N/A	