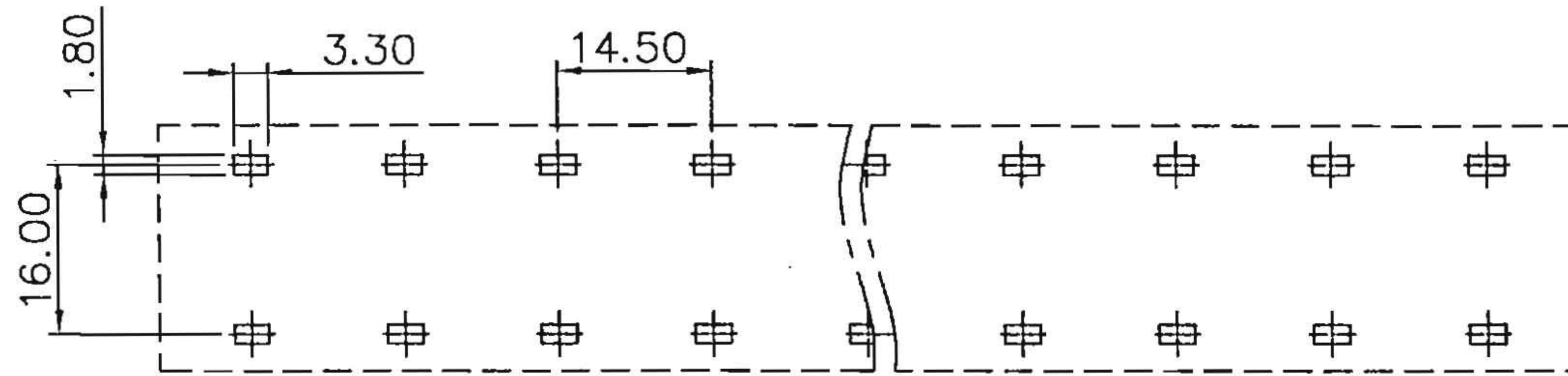
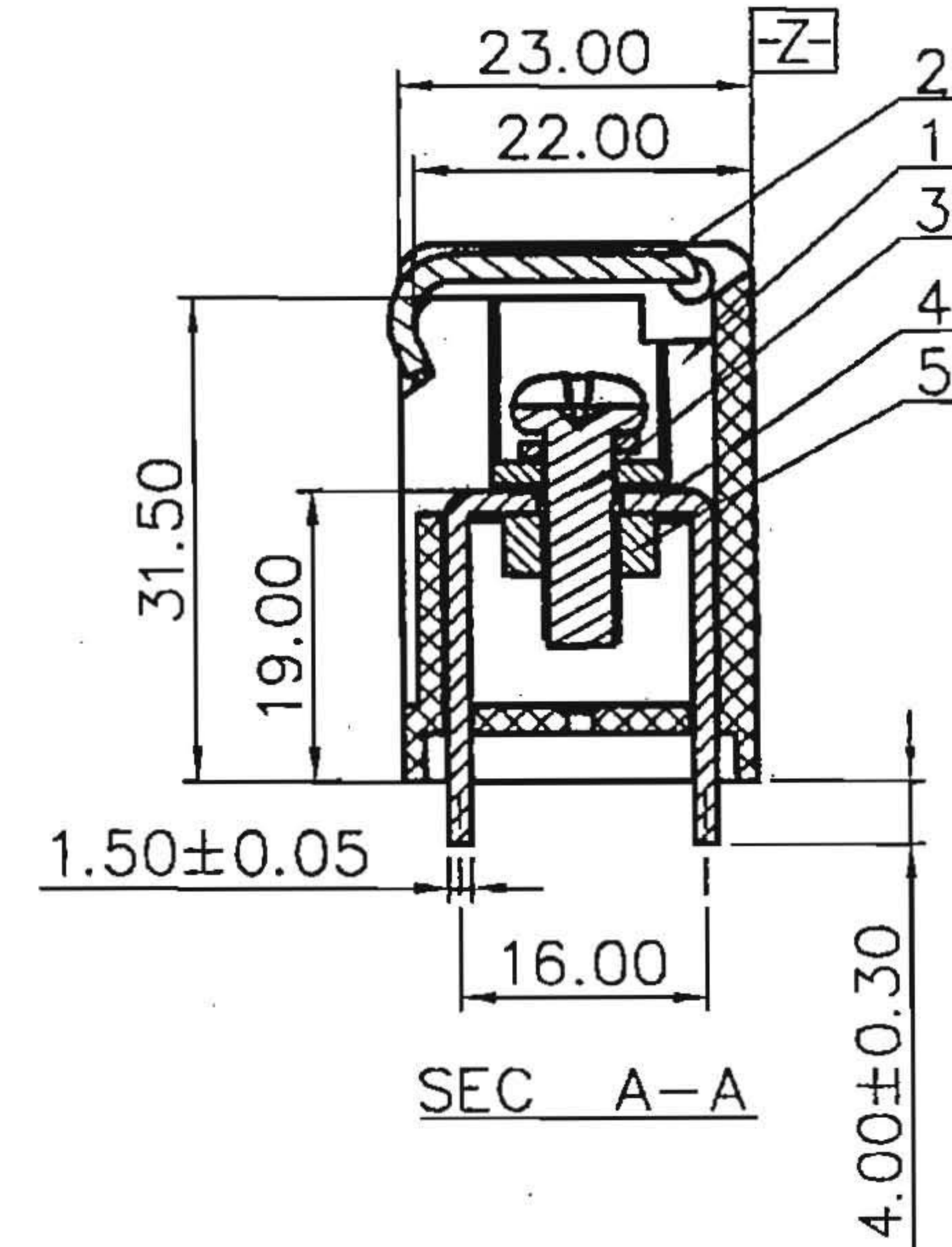
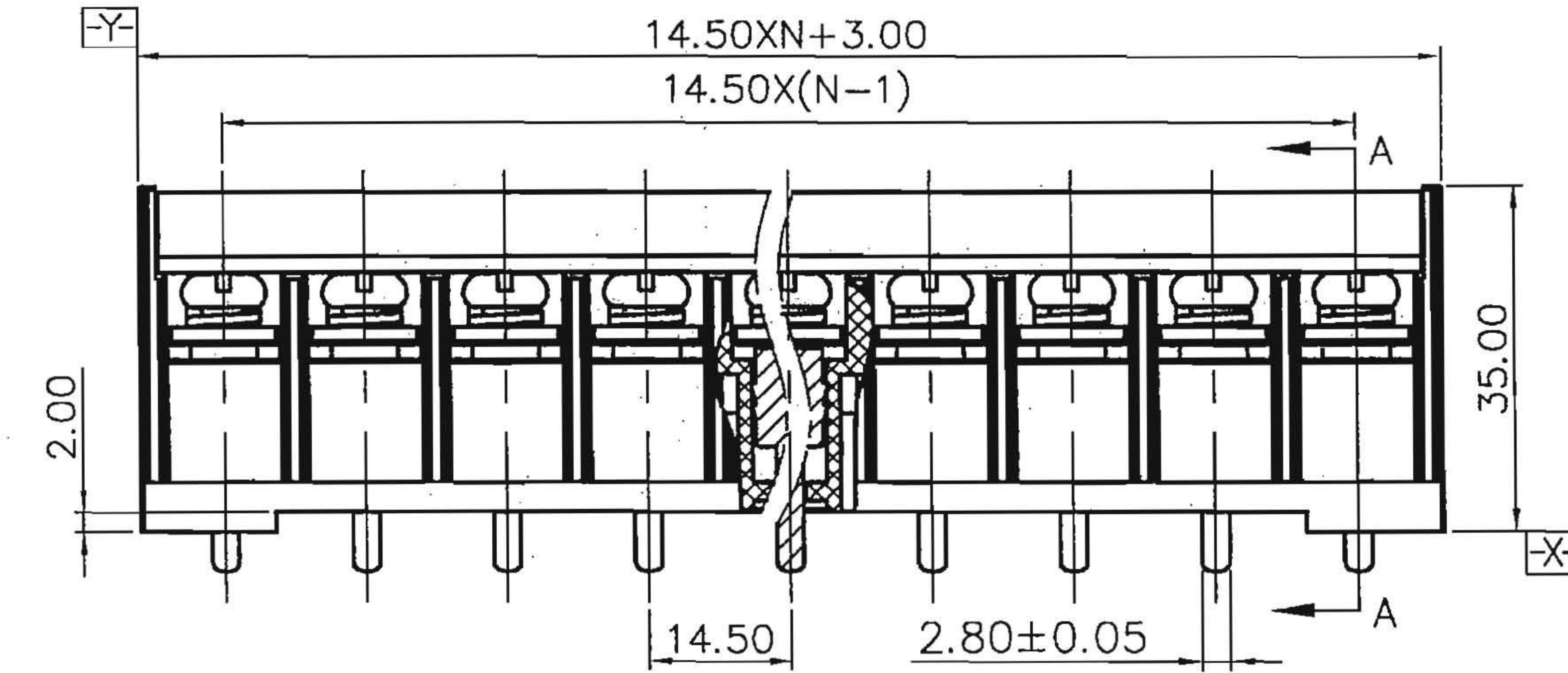
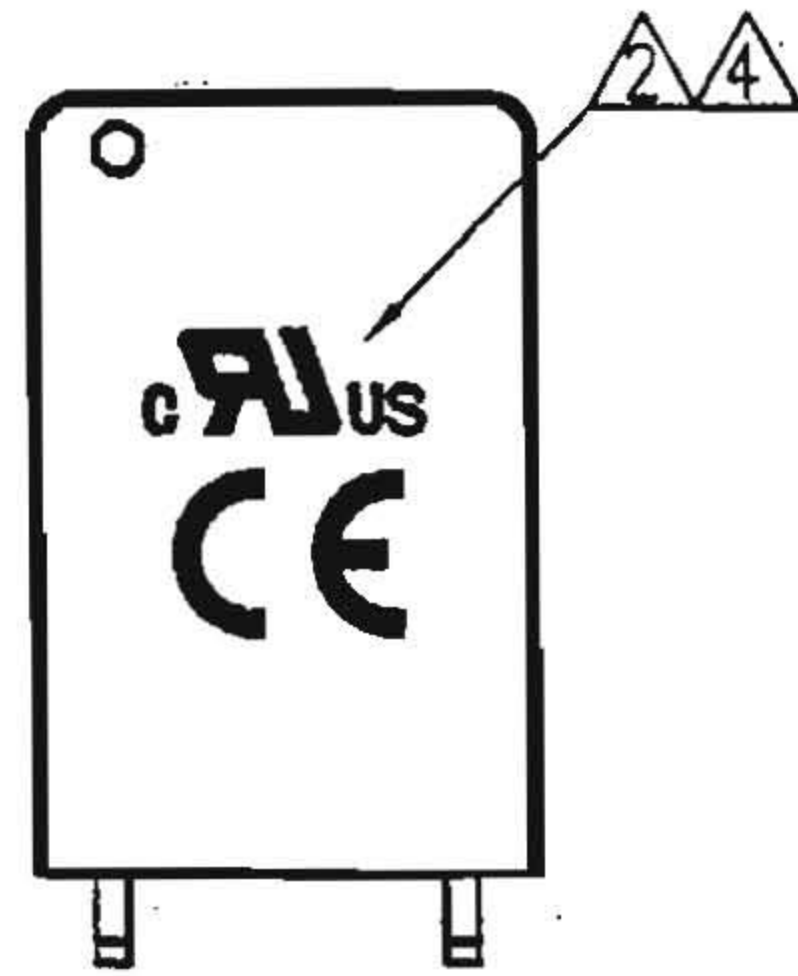
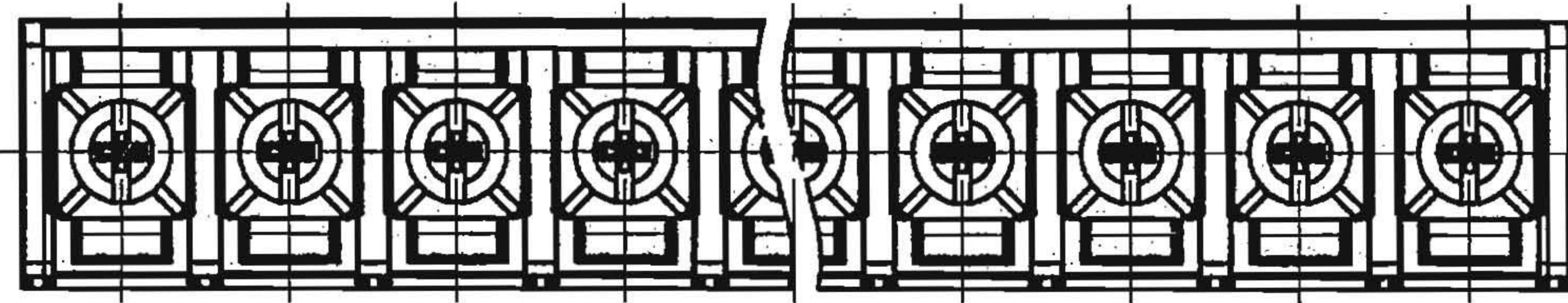


REVISION RECORD				
REV	ECN	DESCRIPTION	DRFT	DATE
△1	10-0291	品名变更	Jordan.Y	09/02/10"
△2	10-0421	增加UL刻字及参数	COCO	12/17/10"
△3	12-0016	增加2P结构视图	Merry	02/06/12"
△4	15-0258	CE认证升级修改刻字及电气参数	Yu jin	07/07/15"

H
G
F
E
D
C
B
A

(W/O COVER)



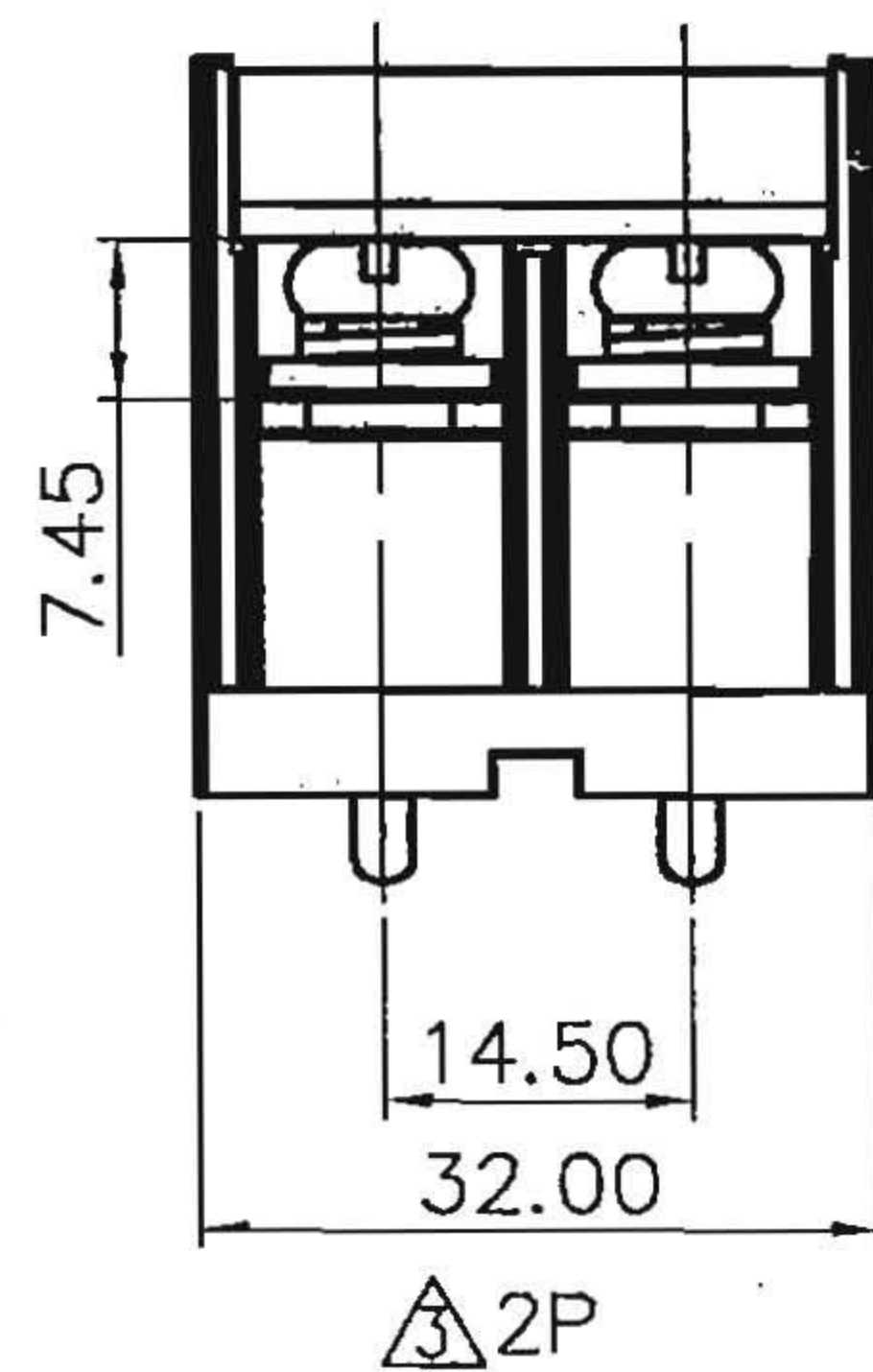
PCB LAYOUT



NOTES:

- 1.DIMENSION SHALL BE INTERPRETED PER ASME Y14.5-2009.
- 2.PITCH: 14.5MM ,POLES: N=2-14P
- 3.UL: 300V/50A
- 4.IEC: 1000V/76A
- 5.WITHSTANDING VOLTAGE: AC1600V/1MIN
- 6.OPERATION TEMPERATURES: -40℃~+120℃
- 7.WIRE RANGE: 0.5-16MM², 22AWG~8AWG
- 8.TORQUE VALUE : M5 2.0N.m/17.54Lb.in
- 9.UNDIMENSIONED TOLERANCES:

TO	PITCH RANGE IN MM		NOMINAL DIMENSION RANGE IN MM					TOLERANCE
	OVER	OVER	OVER	OVER	OVER	OVER	OVER	
6	6	10	TO	30	60	100	TO	0.05/10
6	TO	TO	TO	TO	TO	TO	OVER	
	10	24	30	60	100	150	150	
	±0.10	±0.15	±0.25	±0.20	±0.30	±0.50	±0.70	±1.00



管中心
研发专用
2015.07.27

(仅限内部使用, 对外无效)

ITEM	NAME OF PART	NO. OF PART	Q'TY	MATERIAL	NOTES
5	DG1450 Nut	S000004680(H)	XX	STEEL	Zn Plated
4	DG1450H Pin header	5061B00010(H)	XX	BRASS	Sn Plated
3	M5*14 BIG COVER AND BRIGHT SCREWS	S000004670(H)	XX	STEEL	Zn Plated
2	DG1450-B Cover	5060CYXXA(H)	1	PC	UL94V-0
1	DG1450-B Housing	5060AYXXA(H)	1	PBT	UL94V-0

DETACHED LISTS	TOLERANCES EXCEPT AS NOTED		MATERIAL:		DEGSON® 宁波高正电子有限公司 Ningbo Degson Electrical Co., Ltd.		
	FINISH:		PART NO.:		NAME:		
	.X ±		.X' ±		Series DG1450-B		
	.XX ±		.XX' ±		△DG1450-B-XXP-1Y-00A(H)		
.XXX ±		.XXX' ±		APPD: Aaron 7/15-15		TITLE: ASSEMBLY DRAWING	
ANGLES ± 1'		CHKD: Merry 15-15		DRAWING NO.: DG1450-B-E01		REV	T4
THIRD ANGLE PROJECTION		DRFT: YHG 08/04/09"		DO NOT SCALE DRAWING		SCALE	N/A
				SHEET		1/1	