

REVISION RECORD				
REV	ECN	DESCRIPTION	DRFT	DATE

NOTES1:

UL Standard

- 1. Rated voltage/current : 300V / 10A
- 2. Wire range : 22~16AWG

IEC Standard

1. Pollution degree	3	2	2
Overvoltage category	III	III	II
Rate impulse voltage(KV)	4.0KV	4.0KV	4.0KV
Rate voltage(V)	250V	320V	630V
Rate current(A)	15A		

- 2. Wire range : 0.2~1.5mm²

NOTES2:

- 1. Dimension shall be interpreted per ASME Y14.5-2009
- 2. Pitch : 5.00mm, Poles : N=01~XXP
- 3. Stripping length : 10mm
- 4. Withstanding voltage : AC2000V/1Min
- 5. Operating temperature : -40°C~+105°C
- 6. Undimensioned tolerances:

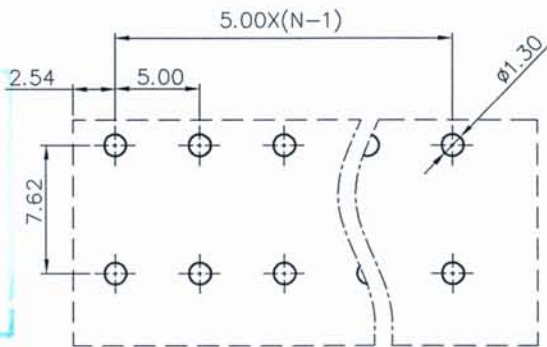
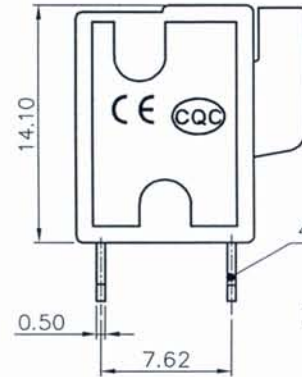
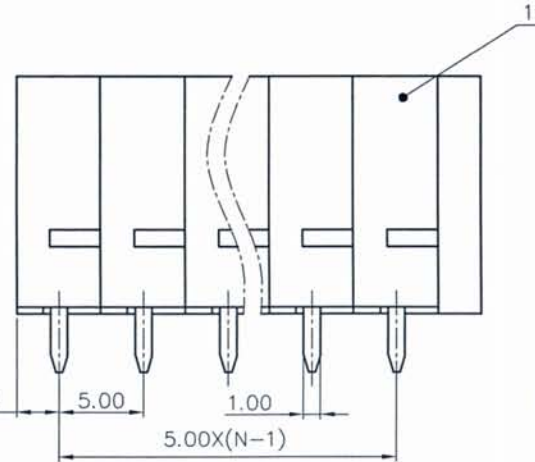
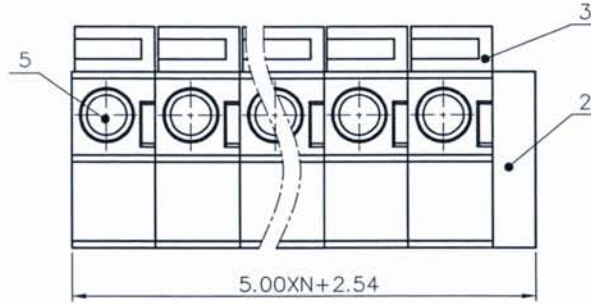
Pitch range in mm		Nominal dimension range in mm						0.1/10
TO	Over	TO	Over	TO	Over	TO	Over	
6	10	6	10	30	60	100	150	<
±0.15	±0.20	±0.30	±0.30	±0.50	±0.70	±1.00	±1.30	±2*

7. RoHS Compliance

DG142V - 5.0 - XXP - 1Y - 00A (H)
 (Series No.) (Pitch) (Poles)(Single Pitch) (Color): 1.(Grey)
 2.(Blue)
 3.(Black)
 4.(Green)
 5.(Orange)
 6.(Red)
 7.(Transparent)
 8.(Yellow)
 9.(White)

2	Cover	PA66	UL94V-0
1	Housing	PA66	UL94V-0
ITEM	NAME OF PART	MATERIAL	NOTES

PART NO.: /	宁波高松电子有限公司 NINGBO DEGSON ELECTRICAL CO., LTD		
APPD: <i>Admin 2016.6.25</i>	NAME: DG142V-5.0-XXP-1Y-00A(H)		
CHKD:	DRFT: LDD 2016/10/07		
THIRD ANGLE PROJECTION		DRAWING NO.: DG142V-5.0-C01	REV DO-1
		DO NOT SCALE DRAWING	SHEET 1/1
		SCALE 1:1	



PCB LAYOUT

5	Spring	Stainless steel	
4	Pin header	Copper alloy	Sn Plated
3	Button	PA66	UL94V-0

仅供参考图
 签字: *[Signature]*
 日期: *[Date]*