

未注公差/General tolerances(mm)											D 0.1/10			
0	>3	>6	>10	>18	>30	>50	>80	>120	>180	>250				
~3	~6	~10	~18	~30	~50	~80	~120	~180	~250	~315	~400	~500	~500	±2'
±0.12	±0.18	±0.22	±0.26	±0.31	±0.37	±0.57	±0.80	±0.93	±1.05	±1.15	±1.60	±2.20	±2.50	

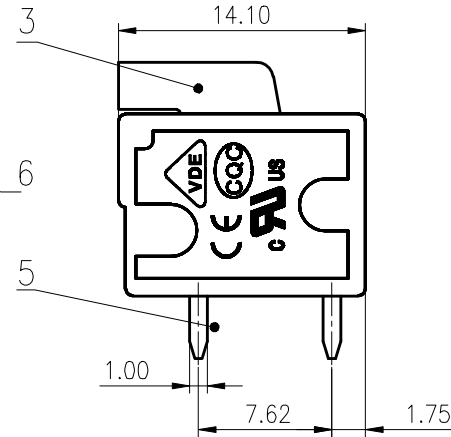
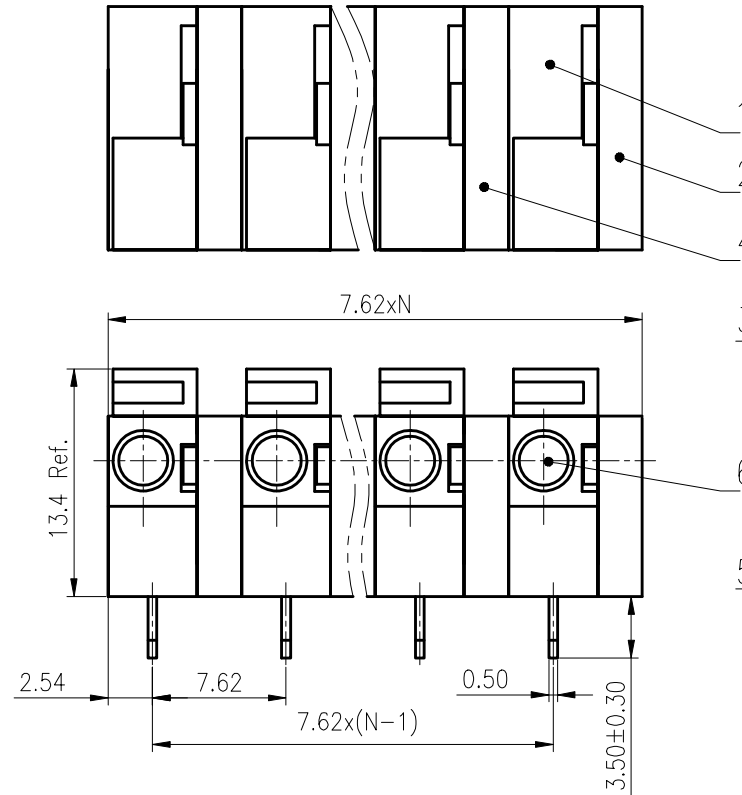
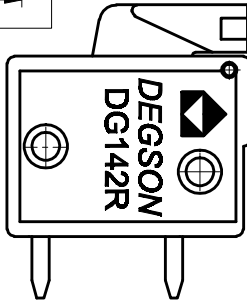
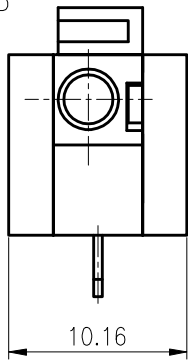
A

B

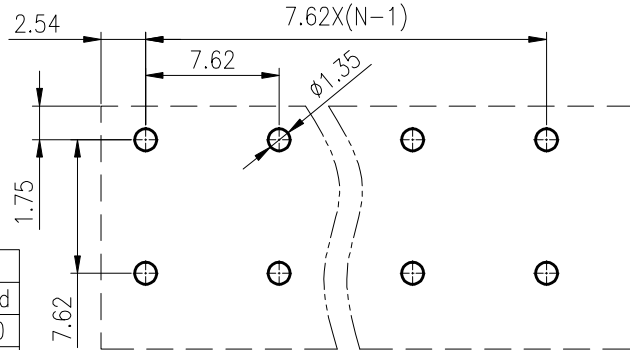
C

D

01P



PCB LAYOUT



UL 标准/UL Standard:	B	C	D
额定电压/电流/Rated Voltage(V)/Current(A)	300/10	300/10	300/10
IEC 标准/IEC Standard:			
过压类别/Overvoltage Category/污染等级/Pollution Degree	/	III/2	/
额定电压/电流/Rated Voltage(V)/Current(A)	/	450/15	/
工频耐压/Withstanding Voltage	AC2500V/1Min		
线径范围(硬线和软线)/Wire Range(rigid and flexible)(mm ² /AWG)	0.2~1.5/22~16		
间距/Pitch(mm)/线数范围/Poles	7.62/N=02~16P		
剥线长度/Stripping length(mm)	10		
使用温度范围/Operating temperature(°C)	-40~+105		
符合RoHS环保要求/Conform to RoHS	Yes		
标准颜色编号/Standard color number:	/		
PANTONE / RAL	/		

6	Spring	Stainless Steel	/
5	Pin header	Copper alloy	Sn Plated
4	Clapboard	PA66	UL94V-0
3	Button	PA66	UL94V-0
2	Cover	PA66	UL94V-0
1	Housing	PA66	UL94V-0
ITEM	NAME OF PART	MATERIAL	NOTES

REV	ECN	DESCRIPTION	DRFT	DATE

MATERIAL: /	SURFACE: /		
MAT NO.: /	宁波高松电子有限公司 NINGBO DEGSON ELECTRICAL CO., LTD		
STATUS: /			
APPD: LiGL 2020.05.27	NAME: DG142R-7.62-XXP-1Y-00A(H)		
CHKD: Mek 2020.05.27	DRAWING NO.: DG142R-7.62-C02		
DRFT: MiSh 2020.05.27	REV	TO	
SIZE: A4 TYPE: CUSTOMER DRAWING SCALE: 2.5:1 SHEET 1/1			