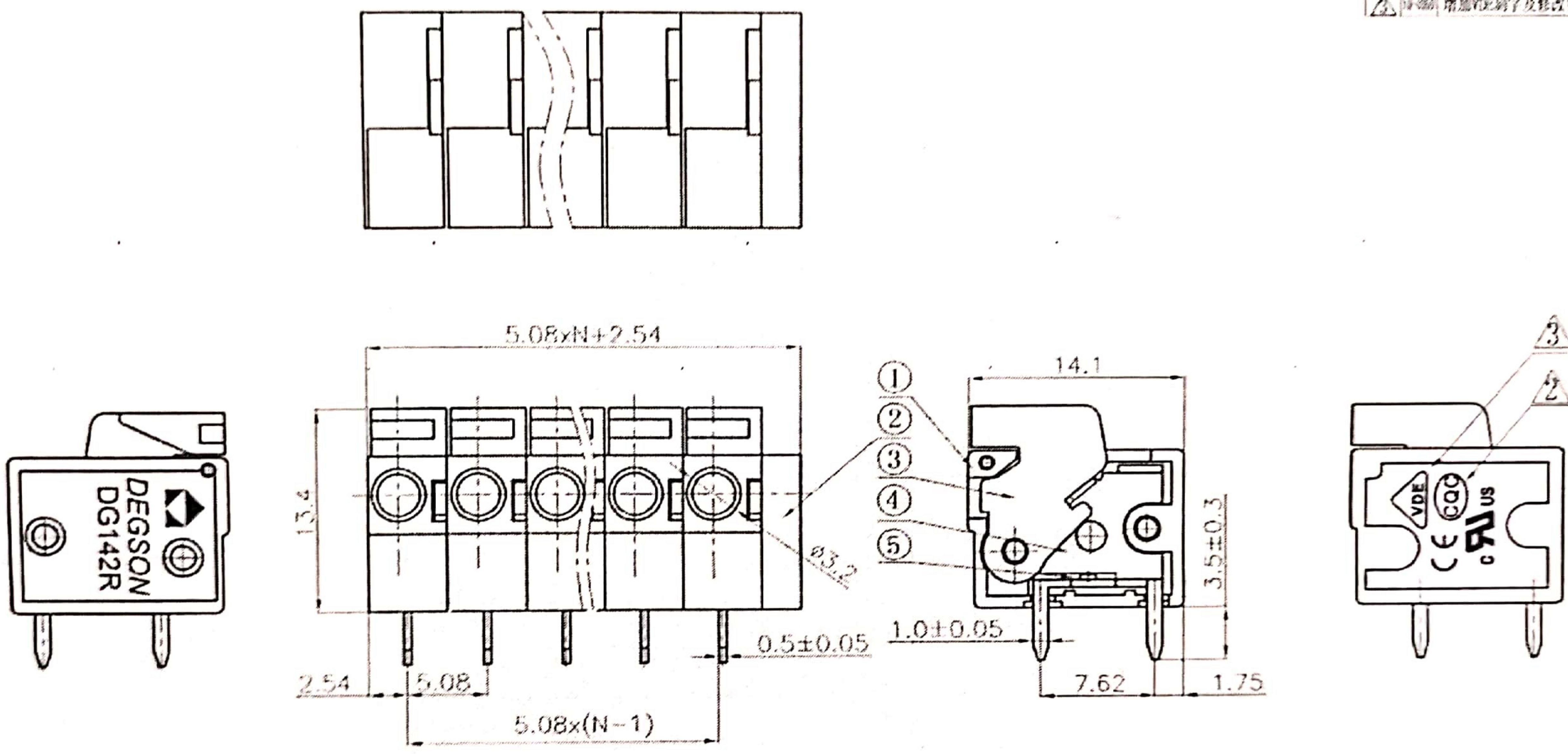


| REV | EDN | DESCRIPTION | UNIT | DATE |
|-----|-----|--------------|------|----------|
| 1 | | 新增更新 | HW | 05/04/06 |
| 2 | | 增加PCF符号 | WLM | 01/12/09 |
| 3 | | 增加VDE符号及修改参数 | ZXX | 09/21/10 |



- Notes:
1. Pitch: 5.08mm, Poles: XYP
 2. Rated voltage/current: UL 300V/10A
VDE 250V/15A
 3. Operation temperatures: -40°C ~ +105°C
 4. Withstanding Voltage: AC2000V/1Min
 5. Insulation Resistance: 5000MΩ/DC1000V
 6. Wire Range: 22~16AWG, 0.2~1.5mm²
 7. Undimensioned Tolerances:

| Pitch range in mm | | | | Nominal dimension range in mm | | | | |
|-------------------|-------|-------|------|-------------------------------|------|------|------|---|
| to | over | to | over | to | over | to | over | |
| 6 | 10 | 10 | 24 | 30 | 60 | 100 | 150 | ∩ |
| 10 | 10 | 10 | 24 | 30 | 60 | 100 | 150 | ∪ |
| 10 | 10.15 | 10.25 | ±0.2 | ±0.3 | ±0.5 | ±0.7 | ±1 | ∪ |

| ITEM | DESCRIPTION | QTY | MATERIAL | FINISH |
|------|-------------------|----------------|----------|--------------------|
| 5 | DG142 Spring | X060000130 (H) | XX | Stainless Steel |
| 4 | DG142R Pin header | 3005100010 (H) | XX | Brass, Gold plated |
| 3 | DG142 5.08 Bottom | 300310501A (H) | XX | PA66, UL94V-0 |
| 2 | DG142-5.08 Cover | 300300101A (H) | I | PA66, UL94V-0 |

| ITEM | NAME OF PART | NO. OF PART | Q'TY | MATERIAL | NOTES |
|------|---------------------|----------------|------|----------|---------|
| 1 | DG142R 5.08 Housing | 300540101A (H) | XX | PA66 | UL94V-0 |

| | | |
|----------------------|----------------|----------------|
| DATE: 02/05/06 | DATE: 02/05/06 | DATE: 02/05/06 |
| APP'D: [Signature] | DATE: [Date] | |
| MATERIAL: [Material] | | |
| FINISH: [Finish] | | |
| SCALE: 1:1 | | |

| | | | |
|---------------------------------|-----------------------------|-----------|---------|
| NAME: DG142R-5.08-XXP-1Y-00A(H) | DRAWING NO: DG142R-5.08-E04 | SHEET: A3 | REV: 11 |
| DO NOT SCALE DRAWING | SHEET 1 | OF 1 | |

