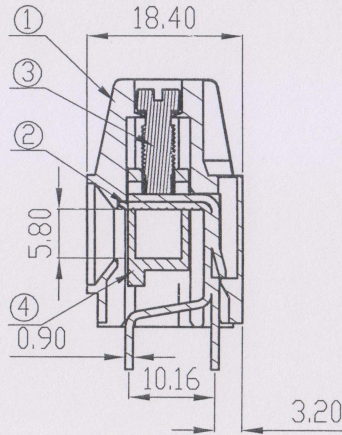
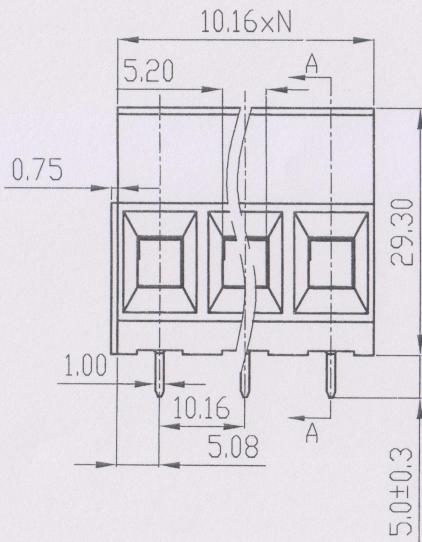
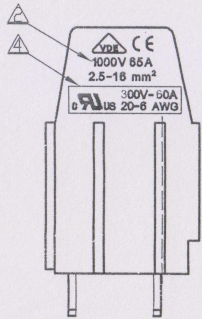
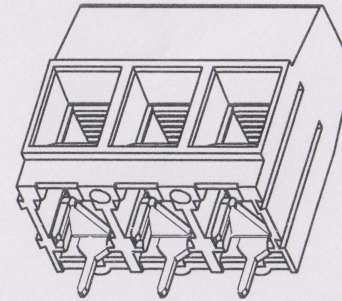
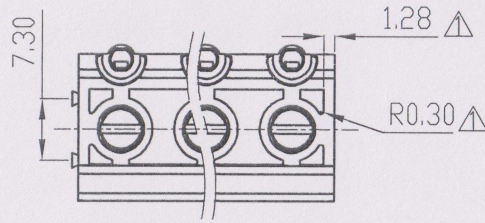


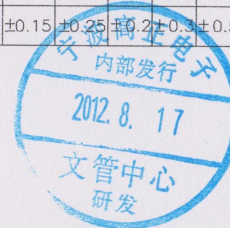
REVISION RECORD					
REV	ECO	DESCRIPTION	DRFT	DATE	
▲	09-0058	增加1.28mm的筋,倒角0.3mm	YHG	08/14/09	
▲	09-0059	螺丝由钢改为黄铜	YHG	09/19/09	
▲	09-0058	方块由PC10-PE铜方块变为PC10铜方块	YHG	09/19/09	
▲	09-0059	增加VDE刻字	YHG	10/22/09	
▲	10-0142	图面整理	Lasting	09/11/10	
▲	12-0011	更改UL电压	YHG	02/09/12	
▲	12-0177	方块由PC10铜方块变为PC10-PE铜方块	Apple	08/15/12	



Notes:

1. Pitch: 10.16mm, Poles: 2P-XXP
2. Rated voltage/current: UL 300V/60A  
VDE 1000V/65A
3. Insulation resistance: 5000MΩ/DC1000V
4. Withstanding voltage : AC3000V/1min
5. Temperature Range : -40° C~+105° C
6. Wire Range: 20-6AWG, 16.0mm<sup>2</sup>
7. Max.Torque Value: M4, 12.24kgf.cm
8. Undimensioned Tolerances:

Pitch range in mm		Nominal dimension range in mm					
to	over	to	over	over	over		
6	10	6	30	60	100	150	□
to	to	to	to	to	to	to	
10	24	30	60	100	150		
±0.10	±0.15	±0.25	±0.2	±0.3	±0.5	±0.7	±1



Section A-A

4	PC10-PE Brass Cage	X000001290(H)	XX	Brass	Ni plated
3	PC6 M4-Screw	S000001490(H)	XX	Brass	Ni plated
2	DG136T Pin header	4115B00010(H)	XX	Copper	SnCe

1	DG136T Housing	4115A0YXXA(H)	1	PA66	UL94V-0																												
ITEM	NAME OF PART	NO. OF PART	Q'TY	MATERIAL	NOTES																												
<table border="1"> <tr> <td>MM</td> <td>INCH</td> <td>DFTD YHG</td> <td>DATE 06/11/08</td> </tr> <tr> <td colspan="2">TOLERANCES EXCEPT AS NOTED</td> <td>CHKD</td> <td>DATE</td> </tr> <tr> <td colspan="2"></td> <td>MFD</td> <td>DATE</td> </tr> <tr> <td>MM</td> <td></td> <td>APPVL</td> <td>DATE</td> </tr> <tr> <td>.0 ±</td> <td>±</td> <td colspan="2"></td> </tr> <tr> <td>.00 ±</td> <td>±</td> <td colspan="2"></td> </tr> <tr> <td>.000 ±</td> <td>±</td> <td colspan="2"></td> </tr> </table>		MM	INCH	DFTD YHG	DATE 06/11/08	TOLERANCES EXCEPT AS NOTED		CHKD	DATE			MFD	DATE	MM		APPVL	DATE	.0 ±	±			.00 ±	±			.000 ±	±			<p>DEGSON® 宁波高正电子有限公司 DEGSON ELECTRONICS CO., LTD</p> <p>NAME: DG136T-10.16-XXP-1Y-00A(H)</p> <p>DRAWING NO. DG136T-10.16-E01 SIZE T5</p> <p>/PART NO. A3 REV 15</p> <p>DO NOT SCALE DRAWING SHEET 1 OF 1</p>			
MM	INCH	DFTD YHG	DATE 06/11/08																														
TOLERANCES EXCEPT AS NOTED		CHKD	DATE																														
		MFD	DATE																														
MM		APPVL	DATE																														
.0 ±	±																																
.00 ±	±																																
.000 ±	±																																
<p>DETAILED LISTS</p> <p>ANGLES ± 1°</p> <p>THIRD ANGLE PROJECTION</p>		<p>SCALE: 1:1</p>																															