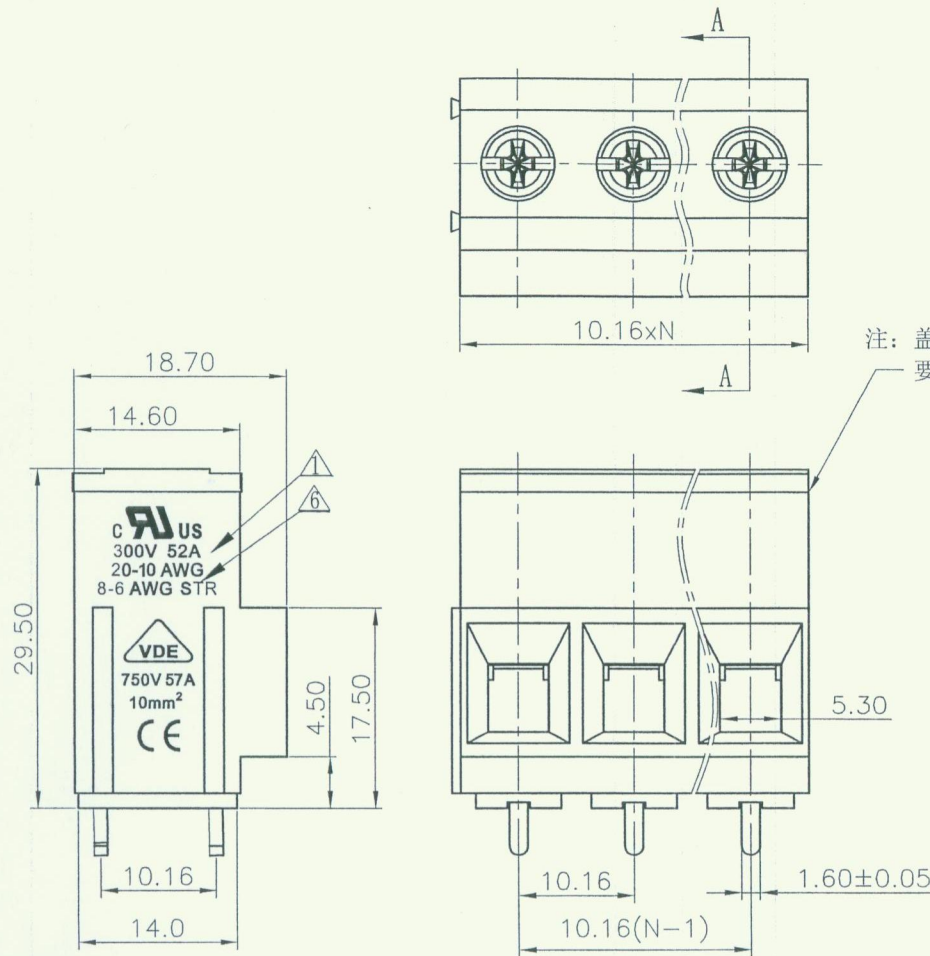
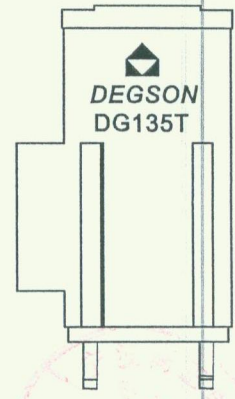
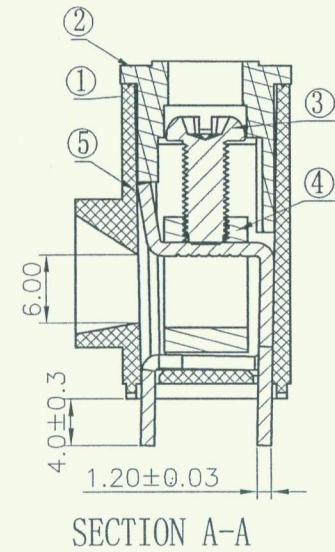


| REVISION RECORD | | | | | |
|-----------------|-----|------------------|------|----------|---|
| REV | ECO | DESCRIPTION | DRFT | DATE | |
| 1 | | 增加UL刻字 | CSX | 10/06/06 | H |
| 2 | | 焊脚由黄铜变更为紫铜 | CSX | 10/26/06 | H |
| 3 | | 图面更新 | YeJ | 05/11/07 | |
| 4 | | 品名、料号增加环保标示“(H)” | CSX | 12/10/07 | |
| 5 | | 图面更新 | LJH | 04/19/08 | |
| 6 | | 修改刻字 | HD | 10/20/09 | |



注：盖与座需超音波焊接，要求能承受100N拉力。



- Notes:
- Pitch: 10, 16mm, Poles: 2-XXP
 - Rated voltage/current: UL 300V/52A Δ
VDE 750V/57A
 - Operation temperatures: -40°C ~ +105°C
 - Withstanding Voltage: AC2000V/1min
 - Insulation Resistance: 5000M Ω /DC1000V
 - Wire Range: 20~6AWG, 10mm²
 - Max. Torque Value: M4, 12.24kgf.cm
 - Undimensioned Tolerances:

| Pitch range in mm | | Nominal dimension range in mm | | | | | | |
|-------------------|-------|-------------------------------|-------|------|------|------|------|---------|
| to | over | to | to | to | to | to | to | |
| 6 | 6 | 10 | 30 | 60 | 100 | 150 | | ○ |
| 6 | 10 | 24 | 30 | 60 | 100 | 150 | | □ |
| | ±0.10 | ±0.15 | ±0.25 | ±0.2 | ±0.3 | ±0.5 | ±0.7 | ±1.0 |
| | | | | | | | | 0.05/10 |

| ITEM | NAME OF PART | NO. OF PART | Q'TY | MATERIAL | NOTES |
|------|--------------------------|----------------|------|-------------|---------------------|
| 5 | DG135T- Pin header | 4010B00020 (H) | XX | Pure copper | SnCe |
| 4 | DG135T- Cage | X000000920 (H) | XX | Brass | Ni Plated |
| 3 | DG135T- Screw | S000001520 (H) | XX | Steel | Cr ³⁺ Zn |
| 2 | DG135T-10.16-00A Cover | 4010C0YXXA (H) | 1 | PBT | UL94V-0 |
| 1 | DG135T-10.16-00A Housing | 4010A0YXXA (H) | 1 | PBT | UL94V-0 |

| ITEM | NAME OF PART | NO. OF PART | Q'TY | MATERIAL | NOTES | | | | | | | | | | | | |
|---|--------------|----------------------|---------|------------------------------------|----------------------------|-------|-------------|-----------------------------|-----|---|--|------|------|---|--|--|--|
| <table border="1"> <tr> <td>MM (INCH)</td> <td>DFTO HW</td> <td>DATE 10/11/05</td> </tr> <tr> <td>TOLERANCES EXCEPT AS NOTED</td> <td>CHKD</td> <td>DATE</td> </tr> <tr> <td></td> <td>MFO</td> <td>DATE</td> </tr> <tr> <td></td> <td>APPV</td> <td>DATE</td> </tr> </table> | | MM (INCH) | DFTO HW | DATE 10/11/05 | TOLERANCES EXCEPT AS NOTED | CHKD | DATE | | MFO | DATE | | APPV | DATE | 宁波高正电子有限公司 DEGSON ELECTRONICS CO., LTD | | | |
| MM (INCH) | DFTO HW | DATE 10/11/05 | | | | | | | | | | | | | | | |
| TOLERANCES EXCEPT AS NOTED | CHKD | DATE | | | | | | | | | | | | | | | |
| | MFO | DATE | | | | | | | | | | | | | | | |
| | APPV | DATE | | | | | | | | | | | | | | | |
| <table border="1"> <tr> <td>MM</td> <td>±</td> </tr> <tr> <td>.0 ±</td> <td>±</td> </tr> <tr> <td>.00 ±</td> <td>±</td> </tr> <tr> <td>.000 ±</td> <td>±</td> </tr> </table> | | MM | ± | .0 ± | ± | .00 ± | ± | .000 ± | ± | NAME | | | | | | | |
| MM | ± | | | | | | | | | | | | | | | | |
| .0 ± | ± | | | | | | | | | | | | | | | | |
| .00 ± | ± | | | | | | | | | | | | | | | | |
| .000 ± | ± | | | | | | | | | | | | | | | | |
| <table border="1"> <tr> <td>ANGLES ± 1°</td> <td>G. E :</td> </tr> <tr> <td></td> <td>FINISH :</td> </tr> <tr> <td></td> <td>SCALE : 1:1</td> </tr> </table> | | ANGLES ± 1° | G. E : | | FINISH : | | SCALE : 1:1 | DG135T-10.16-XXP-1Y-00A (H) | | DRAWING NO. DG135T-10.16-E01 /PART NO. | | | | | | | |
| ANGLES ± 1° | G. E : | | | | | | | | | | | | | | | | |
| | FINISH : | | | | | | | | | | | | | | | | |
| | SCALE : 1:1 | | | | | | | | | | | | | | | | |
| | | DO NOT SCALE DRAWING | | SIZE A3 REV 16 DATE 10/20/09 | | | | | | | | | | | | | |
| | | | | SHEET 1 OF 1 | | | | | | | | | | | | | |