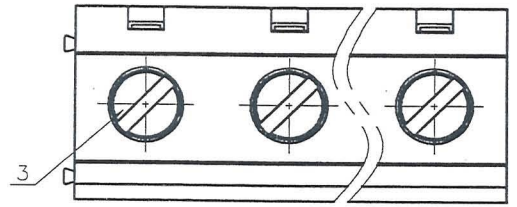
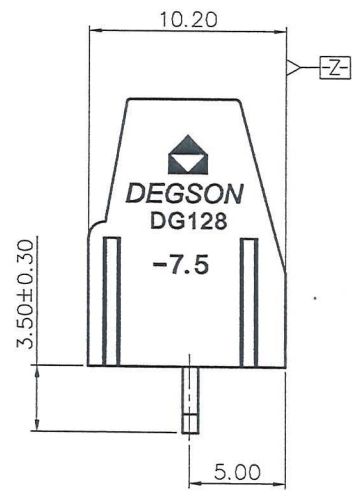
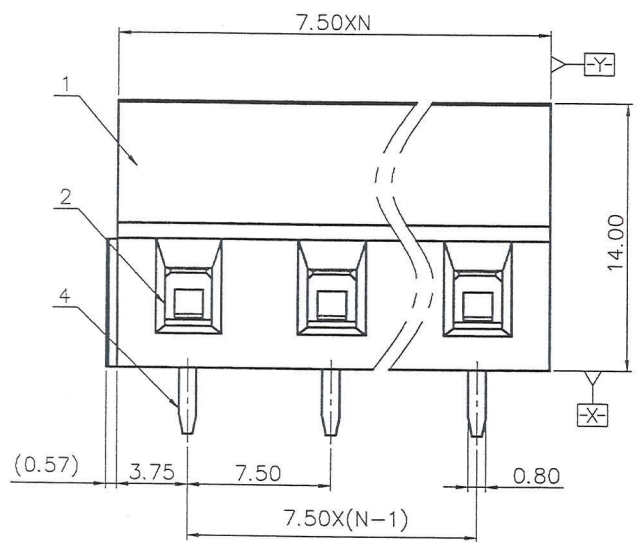
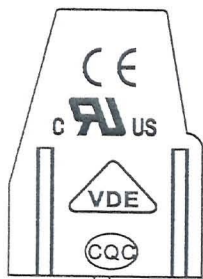


REVISION RECORD				
REV	ECN	DESCRIPTION	DRFT	DATE



- NOTES1:
- UL Standard
- 1.Rated voltage/current : 300V / 20A
 - 2.Torque value : M2.5 , 3.54Lb.in
 - 3.Wire range : 30~12AWG
- IEC Standard
- 1.Rated voltage/current : 450V / 18A
 - 2.Torque value : M2.5 , 0.4N·m
 - 3.Wire range : 1.0~2.5mm²



- NOTES2:
- 1.Dimension shall be interpreted per ASME Y14.5-2009
 - 2.Pitch : 7.50mm, Poles : N=02~19P
 - 3.Stripping length : 6~7mm
 - 4.Withstanding voltage : AC2500V/1Min
 - 5.Operating temperature : -40°C~+105°C
 - 6.Undimensioned tolerances:

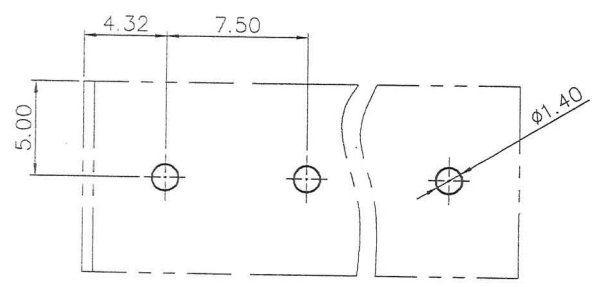
Pitch range in mm	Nominal dimension range in mm						0.1/10	
	Over 6 TO 10	Over 10 TO 24	Over 30 TO 60	Over 60 TO 100	Over 100 TO 150	Over 150		
±0.15	±0.20	±0.30	±0.30	±0.50	±0.70	±1.00	±1.30	±2'

7.RoHS Compliance

齐策专用
 2018.16
 (仅限内部使用,对外无效)

DG128 - 7.5 - XXP - 1Y - 00A (H)

(Series No.)(Pitch)(Poles)(Single Pitch) (Color):1.(Grey) 2.(Blue) 3.(Black) 4.(Green) 5.(Orange) 6.(Red) 7.(Transparent) 8.(Yellow) 9.(White)



PCB LAYOUT

ITEM	NAME OF PART	MATERIAL	NOTES
4	Pin header	Copper alloy	Sn Plated
3	Screw	Steel	M2.5/Zn Plated
2	Cage	Copper alloy	M2.5/Ni Plated
1	Housing	PA66	UL94V-0

PART NO.: Series DG128-7.5		宁波高松电子有限公司 NINGBO DEGSON ELECTRICAL CO., LTD	
APPD: Jay.z 2018.1.16		NAME: DG128-7.5-XXP-1Y-00A(H)	
CHKD: penny 2018.1.15		TITLE: CUSTOMER DRAWING	
DRFT: Jdy.z 2017/12/07		REV	TO
THIRD ANGLE PROJECTION		DRAWING NO.: DG128-7.5-C02	SHEET 1/1
MM (INCH) DO NOT SCALE DRAWING		SCALE	1:1