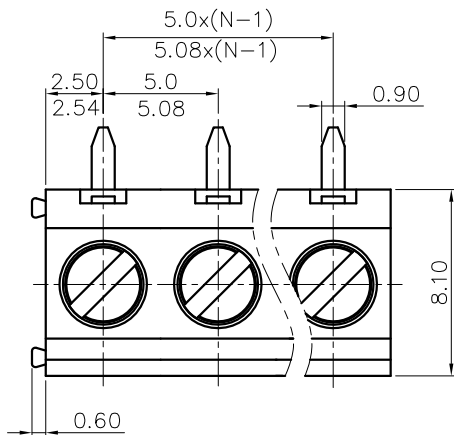


REVISION RECORD				
REV	ECN	DESCRIPTION	DRFT	DATE



NOTES1:

UL Standard

1. Rated Voltage/Current : 300V / 12A
2. Torque Value : M2.5 , 3.54Lb.in
3. Wire Range : 26~14AWG

IEC Standard

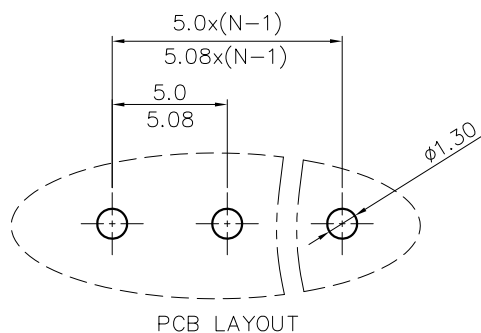
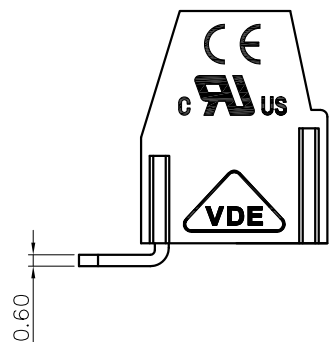
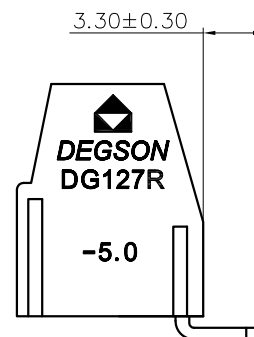
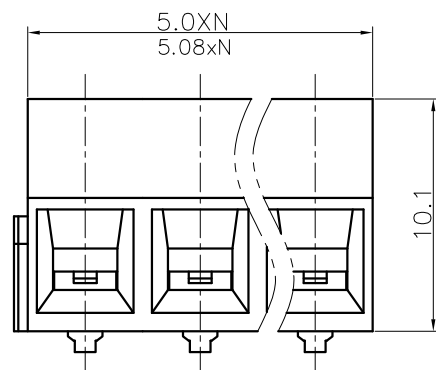
1. Rated Voltage/Current : 250V / 15A
2. Torque Value : M2.5 , 0.4N.m
3. Wire Range : 0.75~2.5mm²

NOTES2:

1. Dimension shall be interpreted per ASME Y14.5-2009
2. Pitch : 5.0/5.08mm, Poles : N=02~XXP
3. Stripping length : 6~7mm
4. Withstanding Voltage : AC2000V/1Min.
5. Operating temperature: -40°C~+105°C
6. Undimensioned Tolerances:

Pitch range in mm		Nominal dimension range in mm				⊖	⊕	∠
TO	Over	TO	Over	TO	Over	0.1/10		
6	10	10	24	30	60	100	150	<
±0.15	±0.20	±0.30	±0.30	±0.50	±0.70	±1.00	±1.30	±2'

7. RoHS Compliance



DG127R - 5.0/5.08 - XXP - 1Y - 00A (H)
 (Series No.) (Pitch) (Poles) (Single Pitch) (RoHS)
 00A-(Standard)
 (Color): 1.(Grey) 2.(Blue) 3.(Black) 4.(Green) 5.(Orange)
 6.(Red) 7.(Transparent) 8.(Yellow) 9.(White)

DETACHED LISTS	PART NO.:	宁波高松电子有限公司 NINGBO DEGSON ELECTRICAL CO., LTD			
	APPD:	NAME: DG127R-5.0/5.08-XXP-1Y-00A(H)			
	CHKD:	TITLE: CUSTOMER DRAWING			
	DRFT:	DRAWING NO.:		REV	DO
THIRD ANGLE PROJECTION		DO NOT SCALE DRAWING		SHEET	1/1
		MM (INCH)		SCALE	1:1