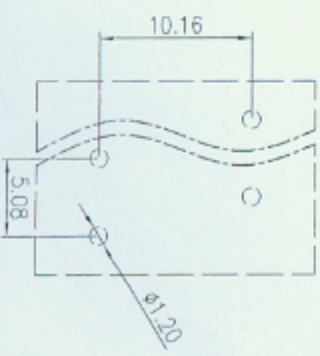
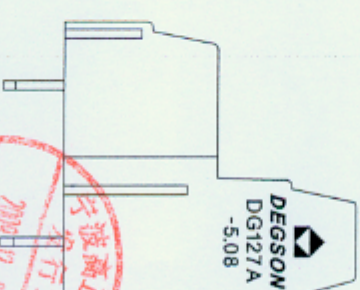
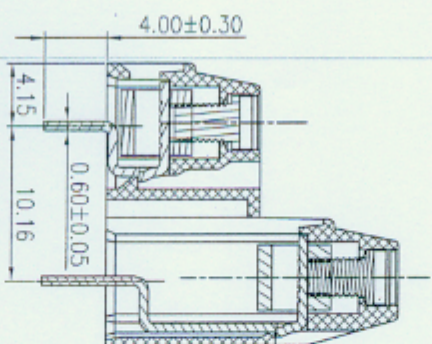
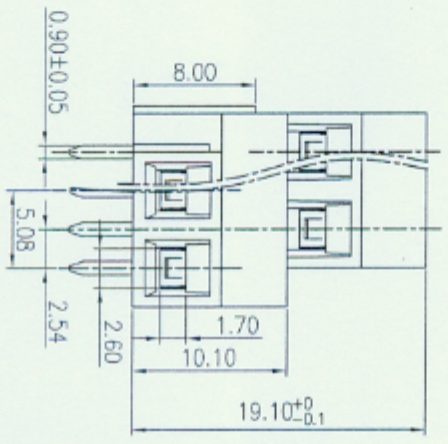
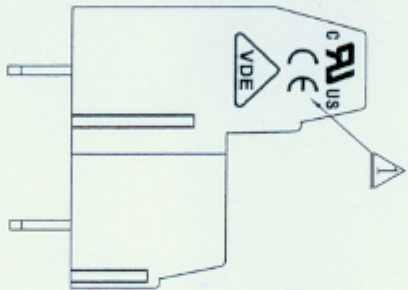


- Notes:
1. Pitch: 5.08mm, Poles: 4P-XXP
  2. Rated voltage/current: UL 300V/12A  
VDE 250V/15A
  3. Operation temperatures: -40°C~+105°C
  4. Withstanding Voltage: AC2000V/1Min
  5. Insulation Resistance: 5000MΩ/DC1000V
  6. Wire Range: 26-14AWG, 0.5-1.5mm<sup>2</sup>
  7. Max. Torque Value: M2, 5, 4, 0.8kgf.cm
  8. Undimensioned Tolerances:

| Pitch range in mm | Nominal generation range in mm |                         |
|-------------------|--------------------------------|-------------------------|
| over 6            | over 30                        | over 150                |
| to 10             | to 60                          | to 100                  |
| to 10             | to 30                          | to 150                  |
| to 24             | to 60                          | to 150                  |
| to 10             | to 30                          | to 150                  |
| to 10             | to 25                          | to 1.0000V <sup>0</sup> |



| ITEM | NAME OF PART        | NO. OF PART    | Q'TY | MATERIAL | NOTES       |
|------|---------------------|----------------|------|----------|-------------|
| 1    | DG127A-5.08-Housing | 4107A0YXXA (H) | 1    | PA66     | UL94V-0B    |
| 2    | DG127 Cage          | X000000170 (H) | XX   | Brass    | NI plated   |
| 3    | DG127A-5.08-Pin     | 4107B00010 (H) | XX/2 | Brass    | SnCe plated |

| NO | DESCRIPTION    | QTY            | MATERIAL | REMARKS            |
|----|----------------|----------------|----------|--------------------|
| 4  | DG127-5.08-Pin | 4028B00010 (H) | Brass    | SnCe plated        |
| 5  | DG127 Screws   | S000001450 (H) | Steel    | Cr <sup>2</sup> Ba |

**DEGSON** 宁波德森电子有限公司  
DEGSON ELECTRONICS CO., LTD.

NAME: (注: XX为偶数)  
DG127A-5.08-XXP-1Y-00A(H)

DRAWING NO: DG127A-5.08-E01

SCALE: 1:1

SHEET 1 OF 1