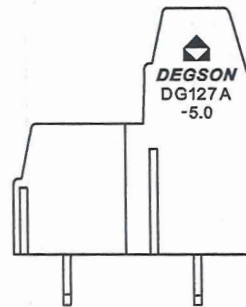
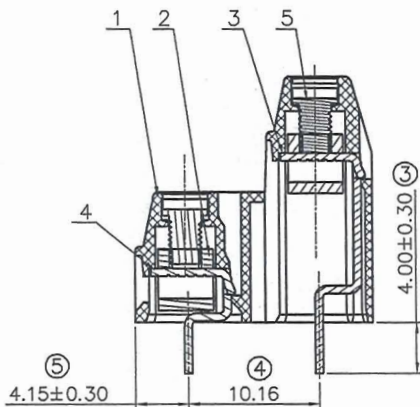
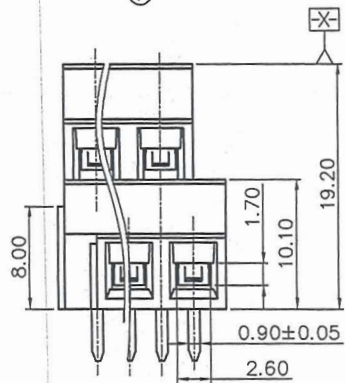
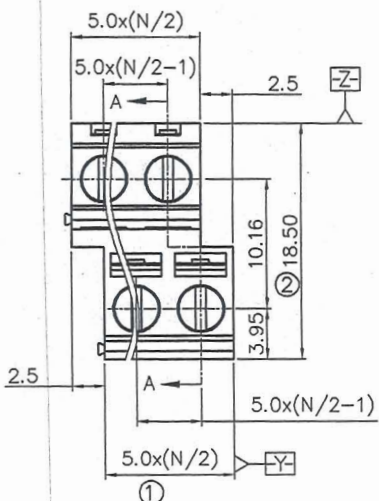
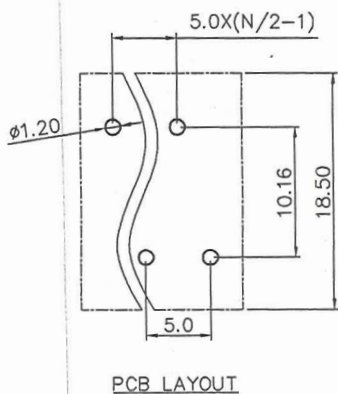


REVISION RECORD				
REV	ECN	DESCRIPTION	DRFT	DATE
△		增加VDE, UL, CE刻字	Zengy	04/03/09"
△	15-0522	依实物修订焊脚材质	HGW	11/25/15"



0.60±0.05



文管中心
研发专用
2015.12.05
仅限内部使用,对外无效

备注一:

UL 标准

1. 额定电压与电流 : 300V / 12A
2. 螺丝扭力 : M2.5, 3.5Lb.in
3. 线径范围 : 26~14AWG

IEC 标准

1. 额定电压与电流 : 250V / 15A
2. 螺丝扭力 : M2.5, 0.4N.m
3. 线径范围 : 0.2~1.5mm²

备注二:

1. 尺寸标注符合标准 ASME Y14.5-2009
2. P 距 : 5.0mm, P 数范围 : N=04~xxP
3. 剥线长度 : 6-7mm
4. 工频耐压 : AC2000V/1Min.
5. 使用温度范围 : -40°C~+105°C
6. "⊗" 为重点管控尺寸
7. 未注公差表:

P 距方向公差(mm)		其他尺寸公差(mm)					—	∩	□
≤6	6 ~ 10	10 ~ 24	≤30	30 ~ 60	60 ~ 100	100 ~ 150	>150	0.05/10	∠
±0.10	±0.15	±0.25	±0.20	±0.30	±0.50	±0.70	±1.00	±1'	

8. 须符合RoHS 环保要求

5	DG127 "一"字螺丝	S000001450(H)	N	钢	M2.5/镀锌
4	DG127-5.08 焊脚	4028B00010(H)	N/2	黄铜 △	镀锡
3	DG127A-5.08 焊脚	4107B00010(H)	N/2	黄铜	镀锡
2	DG127 方块	X000000170(H)	N	黄铜	M2.5/镀锌
1	DG127A-5.0 塑件	4106AYYXXA(H)	1	PA66	UL94V-0
ITEM	NAME OF PART	NO. OF PART	Q"TY	MATERIAL	NOTES

PART NO.: /		宁波高松电子有限公司 DEGSON ® NINGBO DEGSON ELECTRICAL CO., LTD			
APPD: Aaron 11/28/15	NAME: DG127A-5.0-XXP-1Y-00A(H)				
CHKD: JLA 11/28/15	TITLE: ASSEMBLY DRAWING				
DRFT: Zhuwm 07/22/08"	REV	T2	SHEET 1/1		
DRAWING NO.: DG127A-5.0-E01		DO NOT SCALE DRAWING		SCALE 1:1	
THIRD ANGLE PROJECTION		MM (INCH)			

REVISION RECORD				
REV	ECN	DESCRIPTION	DRFT	DATE

NOTES1:

UL Standard

- 1.Rated Voltage/Current : 300V / 12A
- 2.Torque Value : M2.5 , 3.5Lb.in
- 3.Wire Range : 26~14AWG

IEC Standard

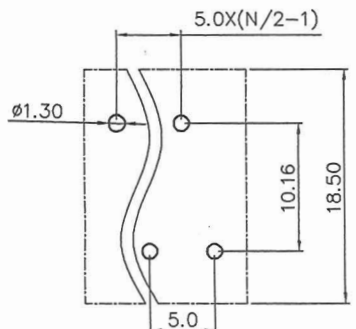
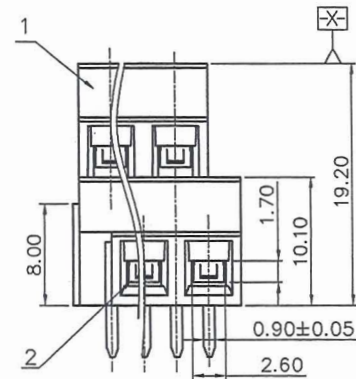
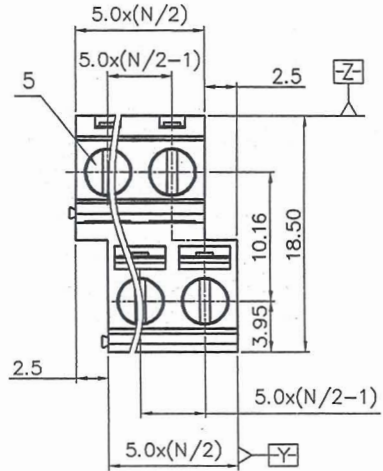
- 1.Rated Voltage/Current : 250V / 15A
- 2.Torque Value : M2.5 , 0.4N.m
- 3.Wire Range : 0.2~1.5mm²

NOTES2:

- 1.Dimension shall be interpreted per ASME Y14.5-2009
- 2.Pitch : 5.0mm, Poles : N=04~xxP
- 3.Stripping length : 6-7mm
- 4.Withstanding Voltage : AC2000V/1Min.
- 5.Operating temperature: -40°C~+105°C
- 6.Undimensioned Tolerances:

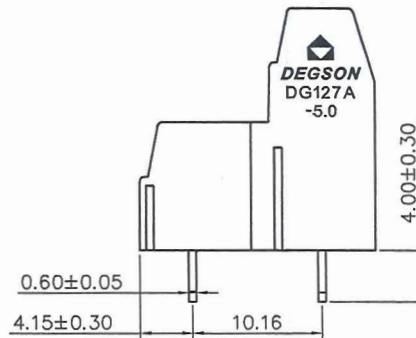
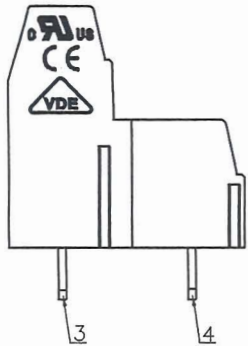
Pitch Range In mm		Nominal Dimension Range In mm							- [Symbol]	
TO	Over TO	Over TO	TO	Over TO	Over TO	Over TO	Over TO	0.1/10		
6	10	10	24	30	60	100	150	<		
±0.15	±0.20	±0.30	±0.30	±0.50	±0.70	±1.00	±1.30	±2'		

7.RoHS Compliance



PCB LAYOUT

文管中心
研发专用
2015.12.05
(仅限内部使用,对外无效)



ITEM	NAME OF PART	MATERIAL	NOTES
5	SCREW	STEEL	M2.5/Zn plated
4	PIN HEADER	COPPER ALLOY	Sn plated
3	PIN HEADER	COPPER ALLOY	Sn plated
2	CAGE	COPPER ALLOY	M2.5/Ni plated
1	HOUSING	PA66	UL94V-0

PART NO.: /		宁波高松电子有限公司 DEGSON ® NINGBO DEGSON ELECTRICAL CO., LTD	
APPD: Aaron 11/28/15		NAME: DG127A-5.0-XXP-1Y-00A(H)	
CHKD: Jia 11/28/15		TITLE: CUSTOMER DRAWING	
DRFT: HGW 11/25/15		REV	TO
THIRD ANGLE PROJECTION		DRAWING NO.: DG127A-5.0-C01	SHEET 1/1
		MM (INCH)	DO NOT SCALE DRAWING
		SCALE	1:1