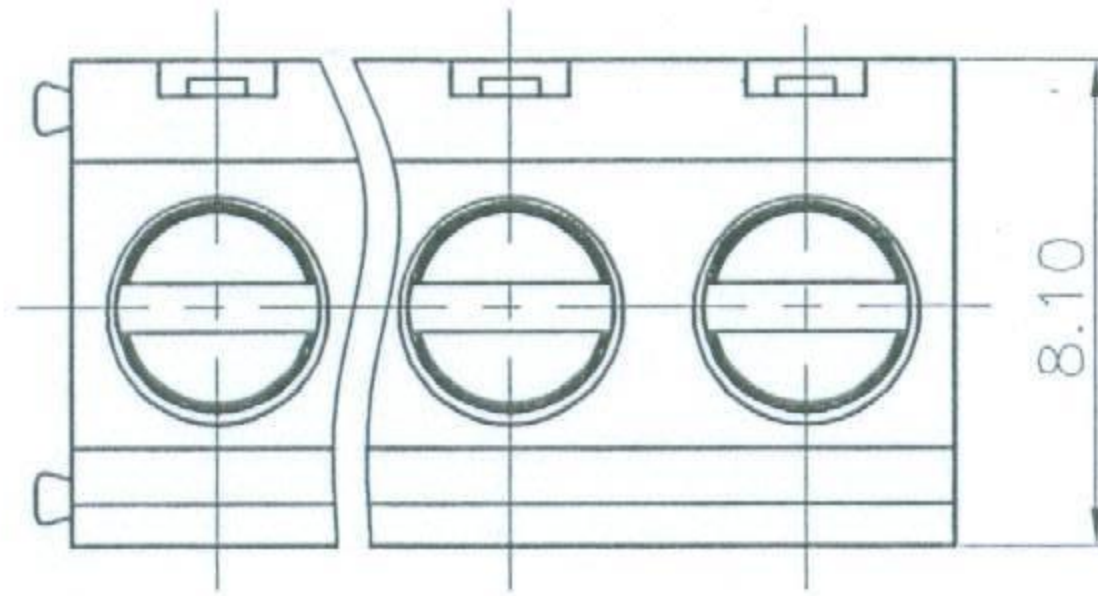
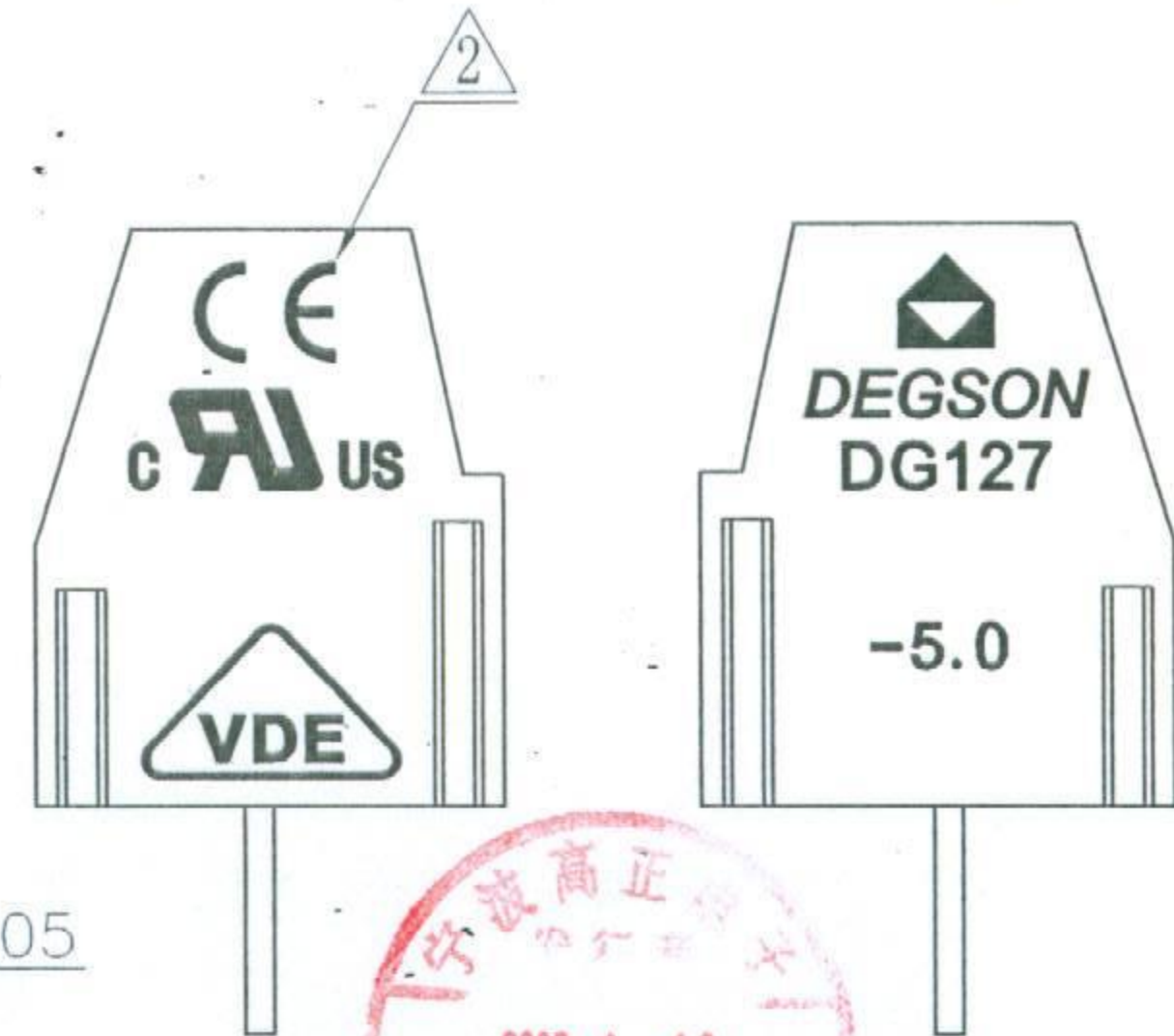
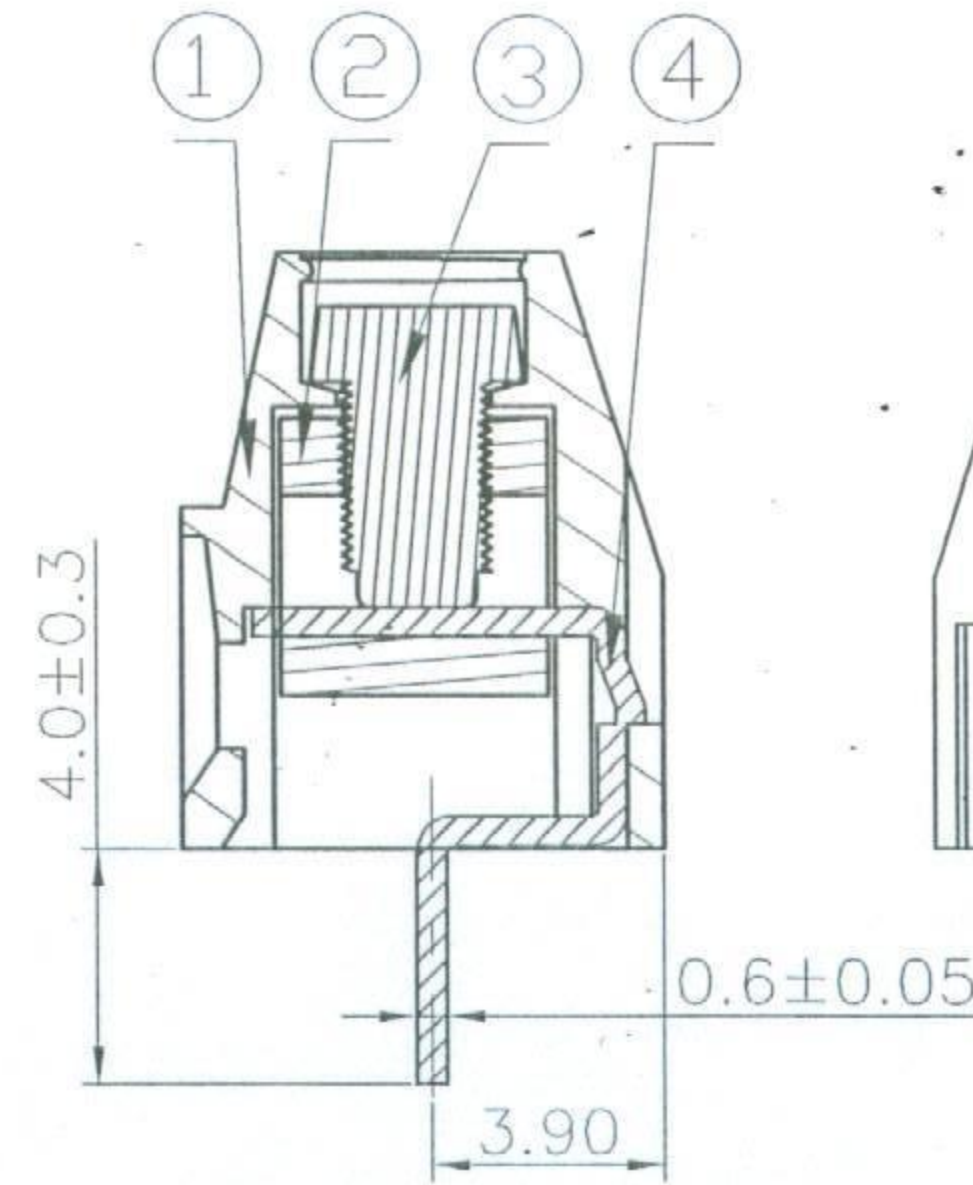
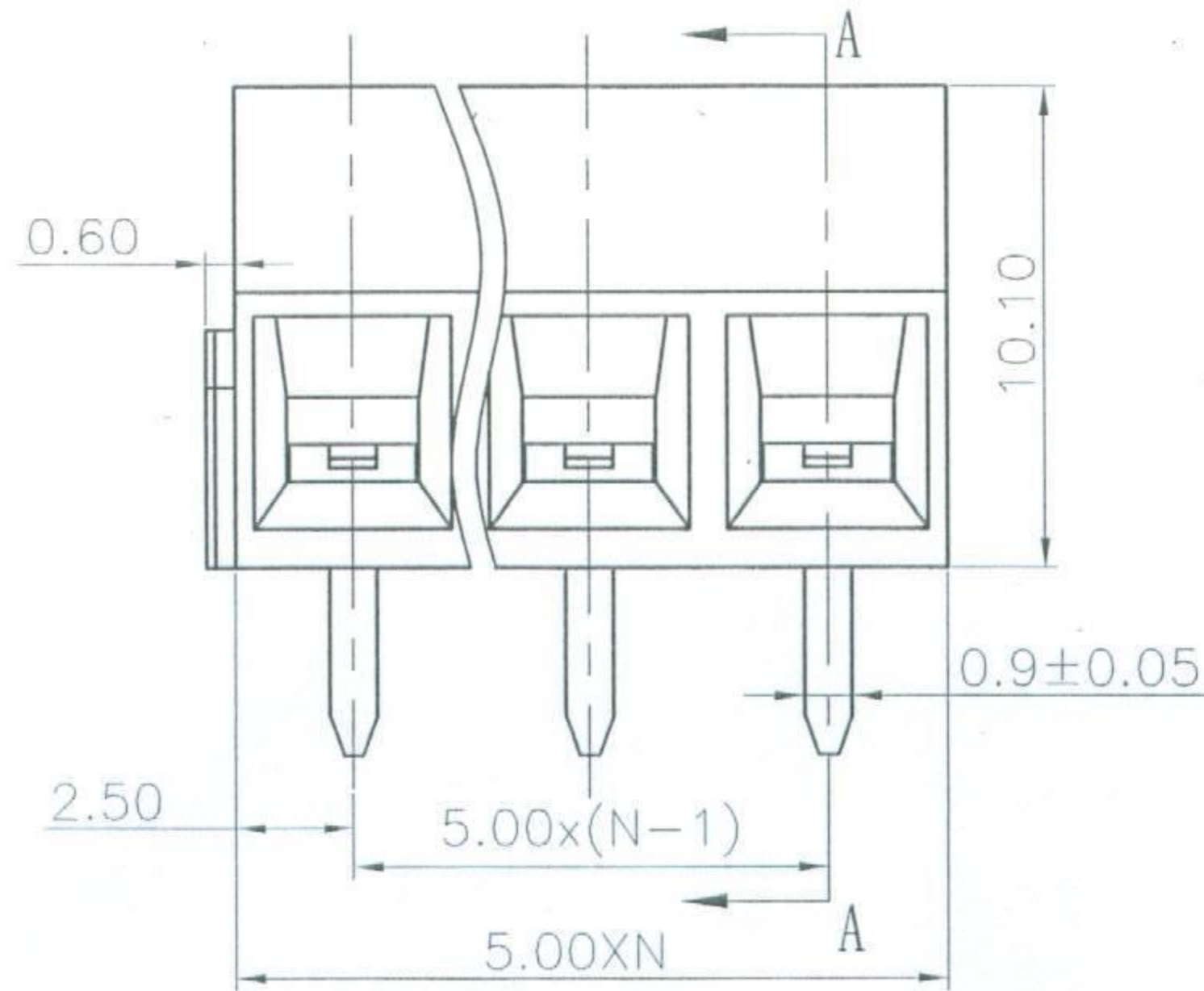


REVISION RECORD				
REV	ECO	DESCRIPTION	DRFT	DATE
1		Drawing Revise	Haoyh	06/27/06
2		增加VDE、CE标志	LJH	11/15/07
3		增加VDE参数	LJH	01/03/08



- Notes:
- pitch: 5.00mm
 - Rated voltage/current: UL 300V/12A
VDE 250V/15A
 - Insulation resistance: 5000MΩ/DC1000V
 - Withstanding voltage: AC2000V/1Min
 - Wire range: 26~14AWG 1.5mm²
 - Temp. Range: -40° c~+105° c
 - Torque: M2.5 4.08kgf.cm
 - Undimensioned Tolerances:

Pitch range in mm		Nominal dimension range in mm					
to 6	over 6 to 10	over 10 to 24	to 30	over 30 to 60	over 60 to 100	over 100 to 150	— C D
±0.10	±0.15	±0.25	±0.2	±0.3	±0.5	±0.7 ±1.0	0.05/10



SECTION A-A

4	DG127 Pin	4028B00010(H)	XX	Brass	SnCe
3	DG127 "—"Screws	S000001450(H)	XX	Steel	Cr ³ Zn
2	DG127 Cage	X000000170(H)	XX	Brass	Ni plated

ITEM	NAME OF PART	NO. OF PART	Q"TY	MATERIAL	NOTES
1	DG127-5.0 Housing	4028A0YXXA(H)	1	PA66	UL94V-0

MM (INCH)	DF TO Zhuwn	DATE 07/19/04	宁波高正电子有限公司 Ningbo Degson Electrical Co., Ltd.
TOLERANCES EXCEPT AS NOTED	CHKD Haog	DATE 01/07/08	
MM	MFD	DATE	
.0 ±	APPVL	DATE 01/10/08	
.00 ±	MATERIAL:		NAME
.000 ±	G.E.:		DG127-5.0-XXP-1Y-00A(H)
ANGLES ± 1°	FINISH:		DRAWING NO. DG127-5.0-E05
THIRD ANGLE PROJECTION	SCALE: 1:1		/PART NO. Series DG127-5.0
	DO NOT SCALE DRAWING		SIZE A3
	SHEET 1		REV T3
	OF 1		01/03/08