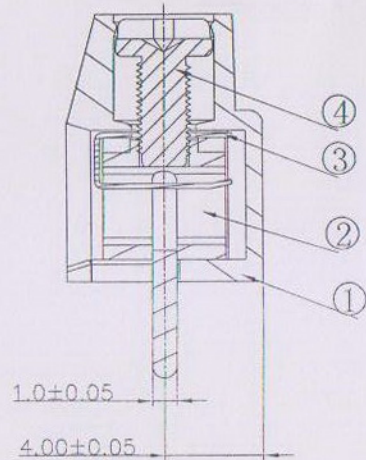
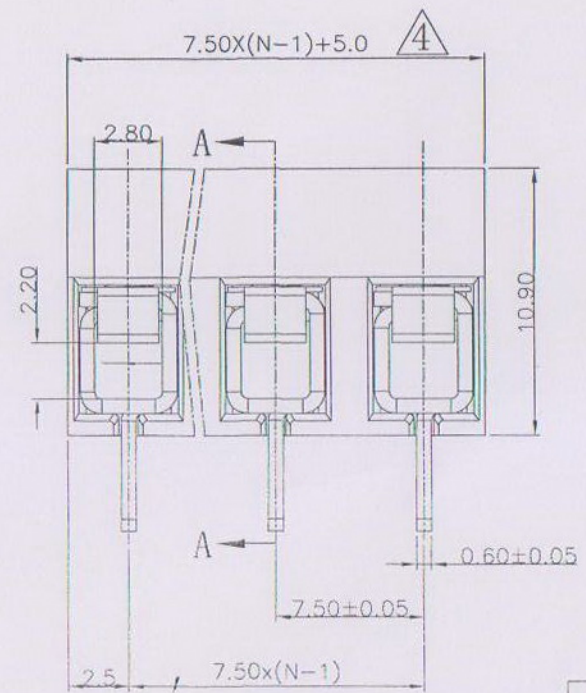
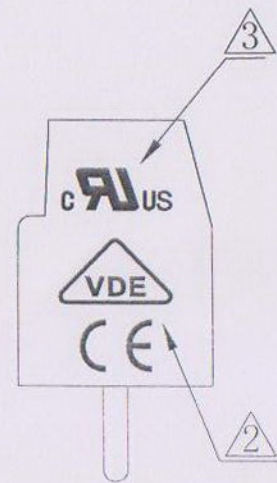
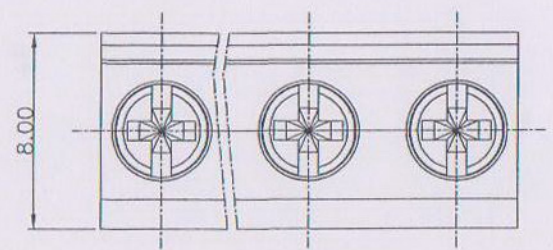
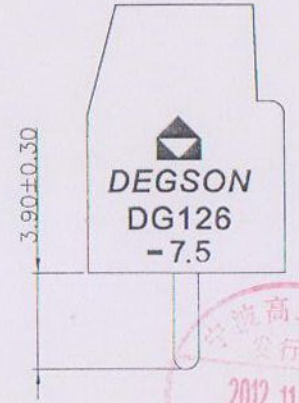


REVISION RECORD				
REV	ECN	DESCRIPTION	DRFT	DATE
△		设变接线线径	cw	05.26.09
△		增加VDE刻字	Zengy	12.31.09
△	10-0125	增加UL刻字	Lasting	08.09.10
△	12-0128	更新总长尺寸	YHC	06.19.12
△	12-0222	修改扭力标准	Aaron	10.29.12



Section: A-A



Notes:

- Pitch: 7.5mm, Poles: 2-3P
- Rated voltage/current: UL 300V/10A
VDE 450V/18A
- Operation temperatures: -40°C ~ +105°C
- Withstanding Voltage: AC2000V/1Min
- Insulation Resistance: 5000MΩ/DC1000V
- Wire Range: 26~14AWG, 0.5~2.5mm²
- Max. Torque Value: 3.50~4.08Kg. f. cm △
- Undimensioned Tolerances:

Pitch range in mm		Nominal dimension range in mm						
to	over	to	over	to	over	to	over	
6	10	30	60	100	150			∪
6	10	24	30	60	100	150		∩
±0.10	±0.15	±0.25	±0.2	±0.3	±0.5	±0.7	±1.0	0.05/0.10

ITEM	NAME OF PART	NO. OF PART	Q'TY	MATERIAL	NOTES
4	DG126 "+" Screws-M2.6	S000002500 (H)	XX	steel	C ⁺ Silver WhiteZn
3	DG126 Spring	X000001760 (H)	XX	stainless steel	
2	DG126 Pin	4019B00020 (H)	XX	Brass	SnCe
1	DG126-7.5-Housing	4143G0YXXC (H)	1	PA66+5%GF	UL94V-0

DETAILED LISTS	MM (INCH)	DFTO LINDA	DATE 10/12/08	宁波高正电子有限公司 DEGSON ELECTRONICS CO., LTD
	TOLERANCES EXCEPT AS NOTED	CHKD	DATE	
		MFO	DATE	
		APPR. <i>hzy</i>	DATE 10/29/08	
	NAME	DG126-7.5-XXP-1Y-89A(H)		
	MATERIAL :			
	ANGLES ± 1'	G.E :		
	FINISH :	DRAWING NO. DG126-7.5-E01		SIZE A4
	THIRD ANGLE PROJECTION	/PART NO.		REV T5 10/29/07
	SCALE : 1:1	DO NOT SCALE DRAWING		SHEET OF