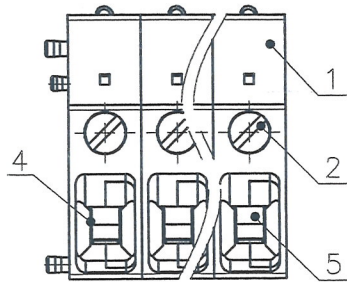


REVISION RECORD				
REV	ECN	DESCRIPTION	DRFT	DATE



NOTES1:

- UL Standard
 1. Rated voltage/current : 300V / 30A
 2. Withstanding voltage : AC1600V/1Min.
 3. Torque value : M3 , 4.43Lb.in
 4. Wire range : 26~10AWG

IEC Standard

1. Pollution degree	2	2	3
Overvoltage category	II	III	III
Rate impulse voltage(KV)	6KV	6KV	6KV
Rate voltage(V)	1000V	630V	500V
Rate current(A)	32A		

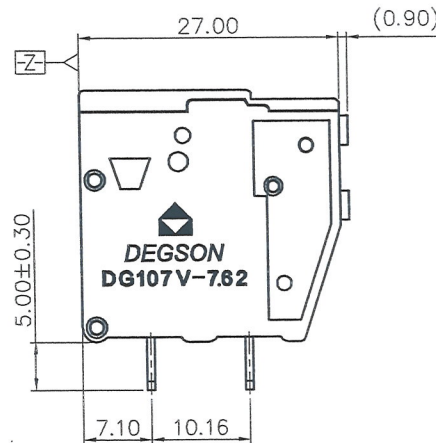
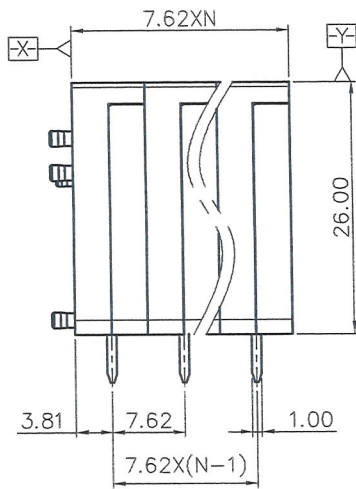
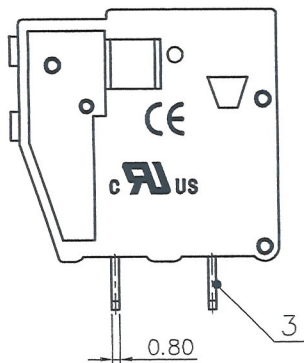
2. Torque value : M3 , 0.5N·m
 3. Wire range : 0.5~6.0mm²

NOTES2:

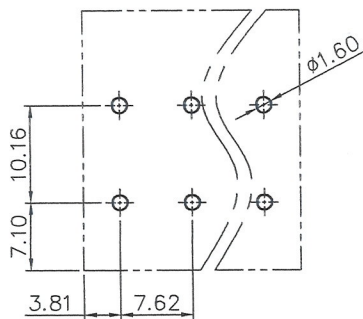
1. Dimension shall be interpreted per ASME Y14.5-2009
 2. Pitch : 7.62mm, Poles : N=02~XXP
 3. Stripping length : 13~14mm
 4. Operating temperature: -40°C~+105°C
 5. Undimensioned tolerances:

Pitch Range In mm		Nominal Dimension Range In mm						Tolerances	
Over 6 TO 10	Over 10 TO 24	Over 30 TO 60	Over 60 TO 100	Over 100 TO 150	Over 150	0.1/10	<	±2'	
±0.15	±0.20	±0.30	±0.30	±0.50	±0.70	±1.00	±1.30	±2'	

6. RoHS Compliance



DG107V - 7.62 - XXP - 1Y - 00A (H)
 (Series No.) (Pitch) (Poles) (Single Pitch) (Color): 1.(Grey) 6.(Red) 7.(Transparent)
 2.(Blue) 7.(Transparent)
 3.(Black) 8.(Yellow)
 4.(Green) 9.(White)
 5.(Orange)



PCB LAYOUT

ITEM	NAME OF PART	MATERIAL	NOTES
5	Block	Steel	Zn Plated
4	Cage	Steel	M3/Zn Plated
3	Pin header	Copper	Sn Plated
2	Screw	Steel	M3/Zn Plated
1	Housing	PA66	UL94V-0

PART NO.: /		NINGBO DEGSON ELECTRICAL CO., LTD		
APPD: <i>Jay.z 2018.8.13</i>	NAME: DG107V-7.62-XXP-1Y-00A(H)			
CHKD: <i>Jay.z 2018.9.13</i>	DRFT: Jay.z 2018.08.02		TITLE: CUSTOMER DRAWING	REV TO
DRAWING NO.: DG107V-7.62-C01		SHEET 1/1		
MM (INCH)		DO NOT SCALE DRAWING SCALE 1:1		

