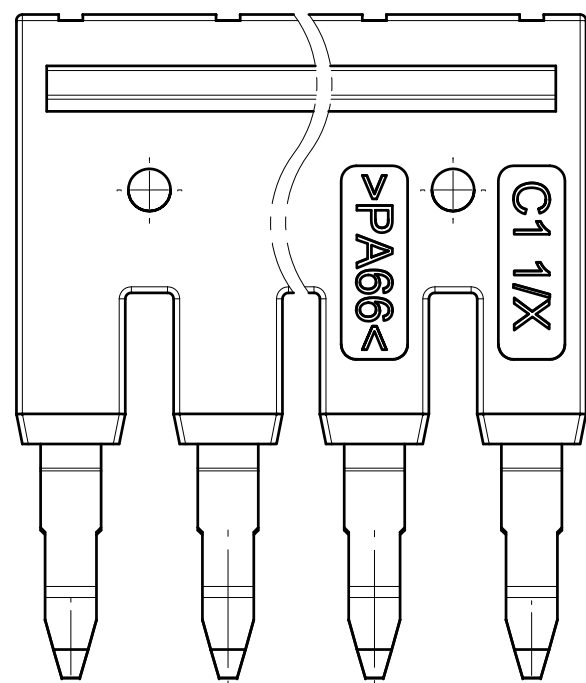
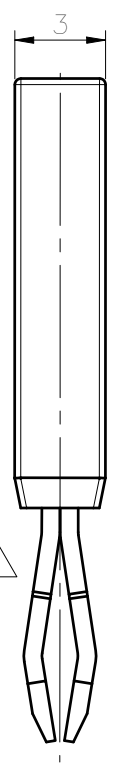
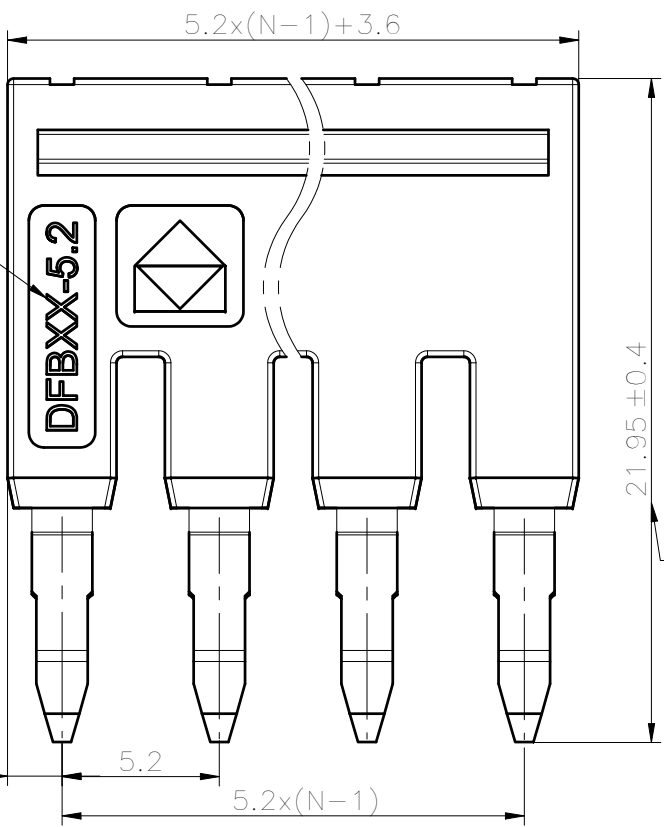
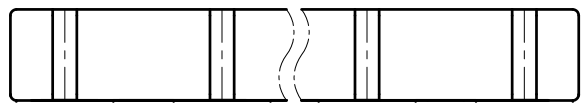
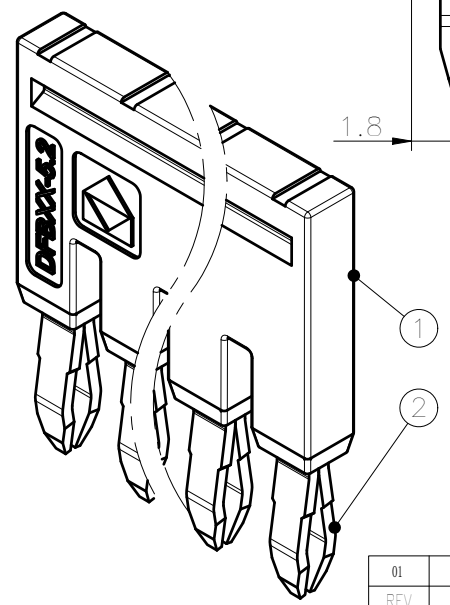


未注公差/General tolerances(mm)												0.1/10	
0	>3	>6	>10	>18	>30	>50	>80	>120	>180	>250	>315		>400
±0.12	±0.18	±0.22	±0.26	±0.31	±0.37	±0.57	±0.80	±0.93	±1.05	±1.15	±1.60	±2.20	±2.50



XX:2-10,20

Please refer to the 3D model, for those unmarked dimensions



2	Current_carrier	Copper	Sn_Plated
1	Housing	PA66	UL94V_0
ITEM	NAME OF PART	MATERIAL	NOTES
间距/Pitch(mm)/线数范围/Poles			5.2/N=2~10P,20P
使用温度范围/Operating temperature(°C)			-40~+105
符合 RoHS 环保要求/Conform to RoHS			Yes

DEGSON		MATERIAL: /	SURFACE: /	
APPD: 李根旁 2022.02.25		MAT NO./REV: / / 00		
CHKD: 马恩开 2022.02.25		NAME		
DRFT: 霍恩榕 2022.02.25		DFBXX-5.2-1Y-00A(H)		
DRAWING NO.	TYPE	DRAWING STATUS	SCALE	SHEET
200000754	CUSTOMER DRAWING	已发布	4:1	1/1

REV	ECN	DESCRIPTION	DRFT	DATE
01	/	总高增加	霍恩榕	2022.02.25

Transfer or duplication of this document as well as the utilization or communication of its contents are prohibited unless express authorization is granted. Degson will be liable for compensation. All rights reserved for patent, utility model or designs registrations. 非经书面明确授权, 否则禁止转让、复制、利用、交加本文件内容, 一经发现将追究法律责任, 本公司保留对涉及发明、实用新型和外观设计的所有权利。