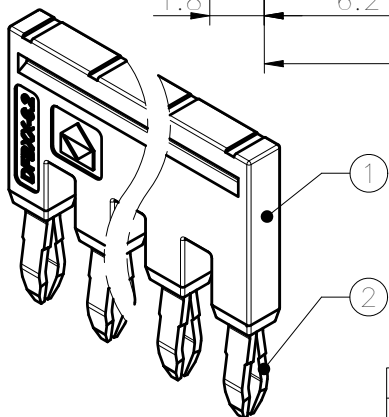
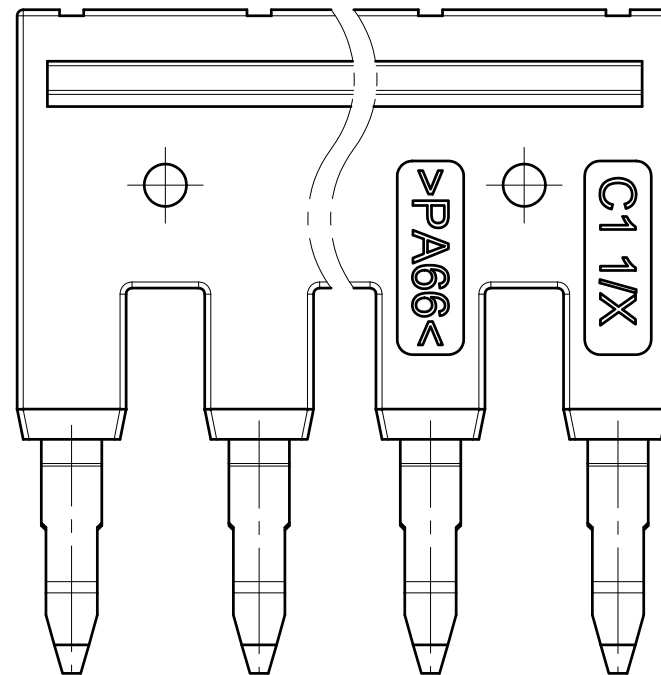
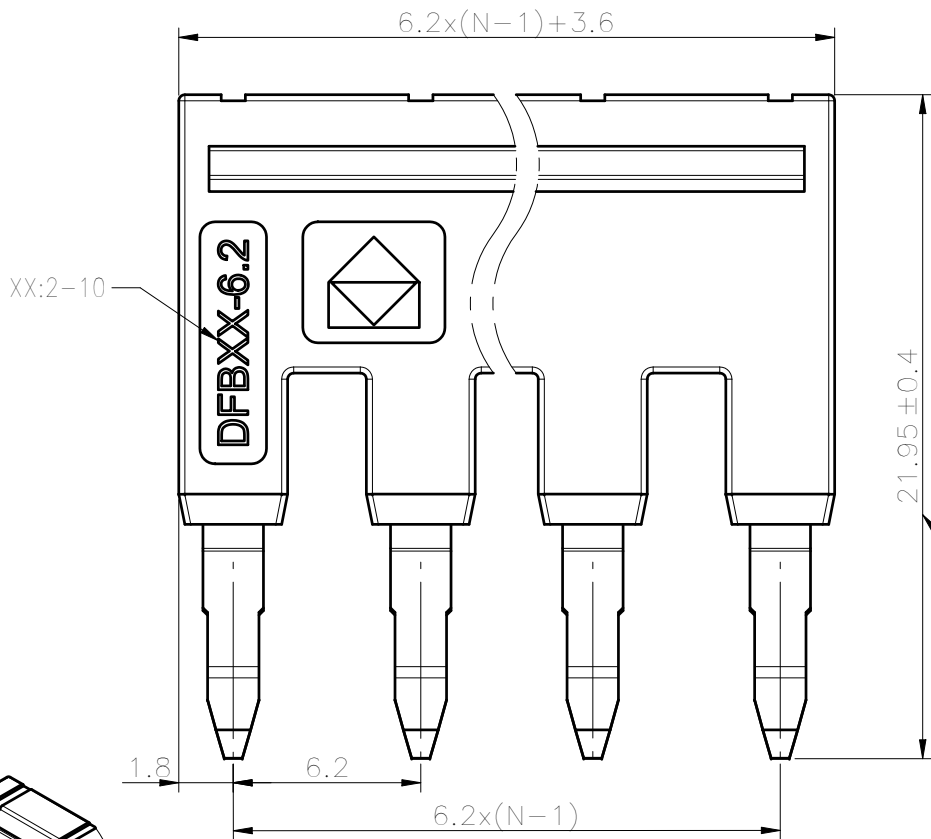


未注公差/General tolerances(mm)											D 0.1/10		
0 ~ 3	>3 ~ 6	>6 ~ 10	>10 ~ 18	>18 ~ 30	>30 ~ 50	>50 ~ 80	>80 ~ 120	>120 ~ 180	>180 ~ 250	>250 ~ 315		>315 ~ 400	>400 ~ 500
±0.12	±0.18	±0.22	±0.26	±0.31	±0.37	±0.57	±0.80	±0.93	±1.05	±1.15	±1.60	±2.20	±2.50
													Z ±2'



Please refer to the 3D model for those unmarked dimensions

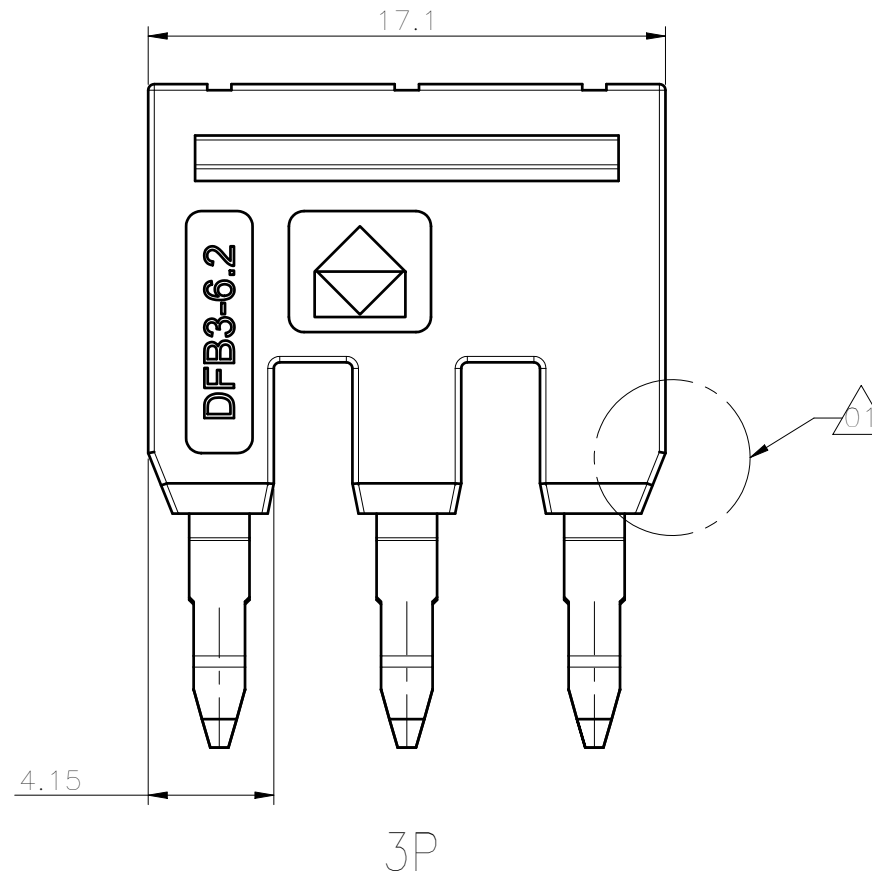
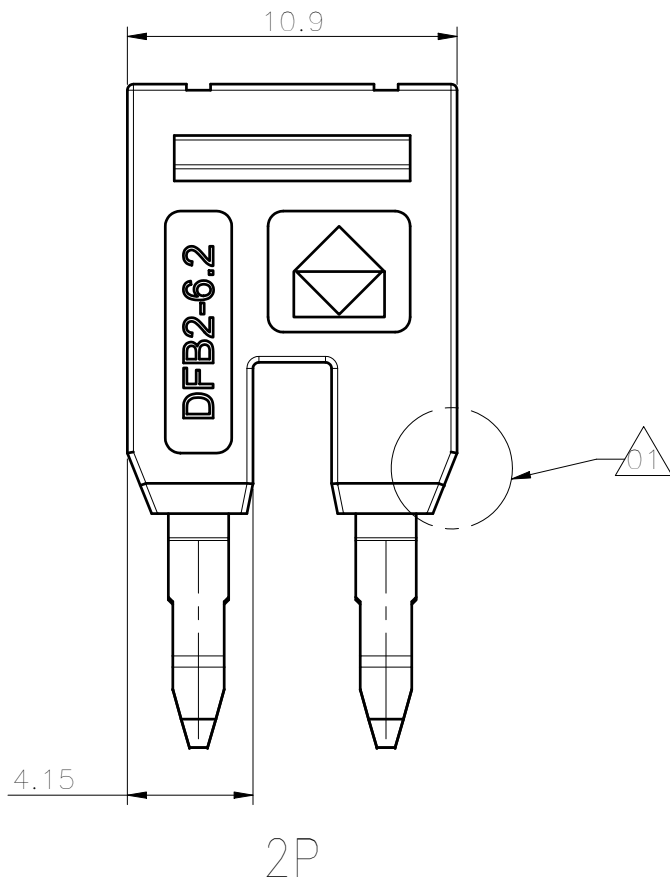
2	Current_carrier	Copper	Sn_Plated
1	Housing	PA66	UL94V-0
ITEM	NAME OF PART	MATERIAL	NOTES

间距/Pitch(mm)/线数范围/Poles	6.2/N=2~10P
使用温度范围/Operating temperature(°C)	-40~+105
符合 RoHS 环保要求/Conform to RoHS	Yes

DEGSON		MATERIAL: /	SURFACE: /
APPD: 李根旁	2022.02.25	MAT NO./REV: /	/ 00
CHKD: 马恩开	2022.02.25	NAME	
DRFT: 霍思榕	2022.02.25	DFBXX-6.2-1Y-00A(H)	
④	A4	DRAWING NO.	TYPE
		200010102	CUSTOMER DRAWING
		DRAWING STATUS	SCALE
		已发布	4:1
		SHEET	1/2

01	/	增加总高, 2P、3P结构变更	霍思榕	2022.02.25
REV	ECN	DESCRIPTION	DRFT	DATE

Transfer or duplication of this document as well as the utilization or communication of its contents are prohibited unless written authorization is granted. DEGSON will be liable for compensation. All rights reserved for patent, utility model or designs registrations. 非经书面授权, 严禁禁止转让、复制、利用、交还本文件的内容。一经发现, 侵权者将承担赔偿责任。本公司保留对涉及发明、实用新型和外观设计的所有权利。



		MATERIAL: /	SURFACE: /		
APPD: 李根旁 2022.02.25		MAT. NO./REV: /	/ 00 MAT STATUS: 批量		
CHKD: 马恩开 2022.02.25		NAME			
DRFT: 霍思榕 2022.02.25		DFBXX-6.2-1Y-00A(H)			
DRAWING NO.	TYPE	DRAWING STATUS	SCALE	SHEET	
200010102	CUSTOMER DRAWING	已发布	4:1	2/2	

01	/	增加总高, 2P、3P结构变更	霍思榕	2022.02.25
REV	ECN	DESCRIPTION	DRFT	DATE