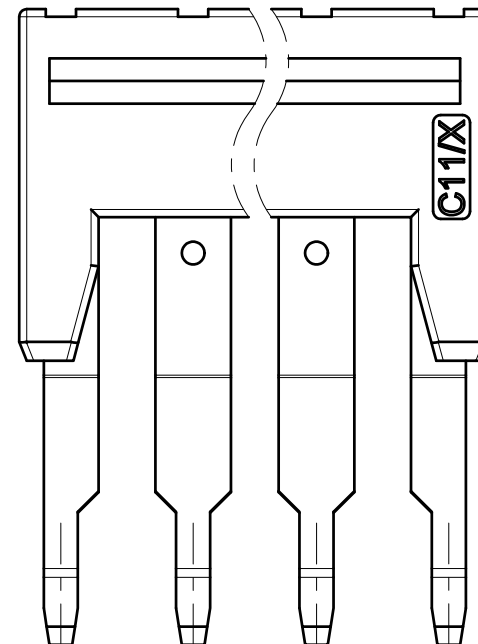
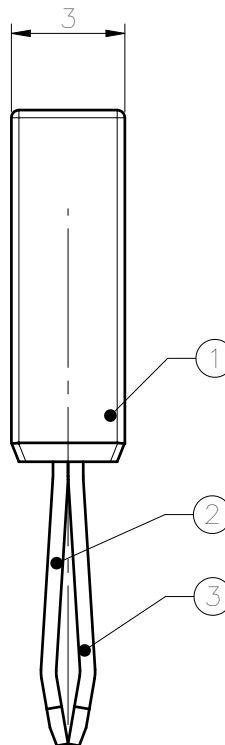
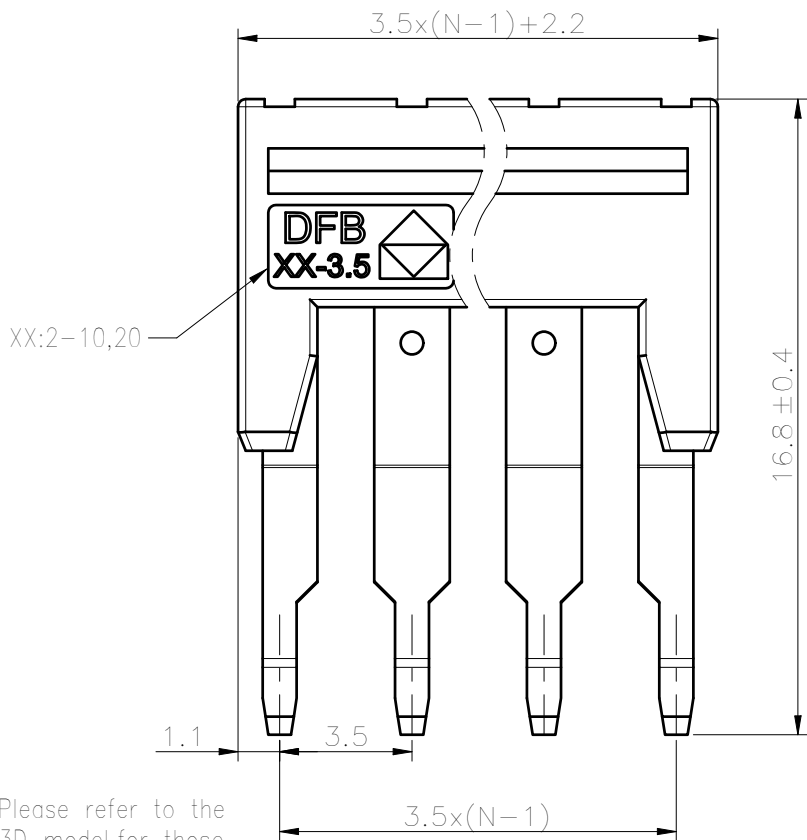
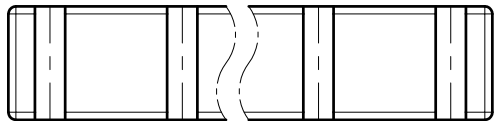
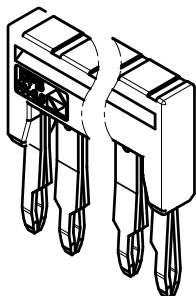


未注公差/General tolerances(mm)											0.1/10		
0	>3	>6	>10	>18	>30	>50	>80	>120	>180	>250		>315	>400
~3	~6	~10	~18	~30	~50	~80	~120	~180	~250	~315	~400	~500	>500
±0.12	±0.18	±0.22	±0.26	±0.31	±0.37	±0.57	±0.80	±0.93	±1.05	±1.15	±1.60	±2.20	±2.50



Please refer to the 3D model, for those unmarked dimensions



3	Current_carrier2	Copper	Sn_Plated
2	Current_carrier1	Copper	Sn_Plated
1	Housing	PA66	UL94V_0
ITEM	NAME OF PART	MATERIAL	NOTES

间距/Pitch(mm)/线数范围/Poles	3.5/N=2~10P,20P
使用温度范围/Operating temperature(°C)	-40~+105
符合RoHS环保要求/Conform to RoHS	Yes

DEGSON		MATERIAL: /	SURFACE: /	
APPD: 李根旁 2022.01.22		MAT NO./REV: / / 00		STATUS: 批量
CHKD: 马恩开 2022.01.22		NAME		
DRFT: 霍恩榕 2022.01.22		DFBXX-3.5-1Y-00A(H)		
DRAWING NO. 200050913		TYPE CUSTOMER DRAWING		SCALE 5:1
SHEET 1/1				

00	/	初版发行	霍恩榕	2022.01.22
REV	ECN	DESCRIPTION	DRFT	DATE

Transfer or duplication of this document as well as the utilization or communication of its contents are prohibited unless explicit authorization is granted. DEGSON reserves all rights for compensation. All rights reserved for patent, utility model or designs registrations. 非经许可明确授权, 否则禁止转让、复制、利用、交加本文件的内容, 侵犯者将负赔偿责任。本公司保留对涉及发明、实用新型和外观设计的所有权利。