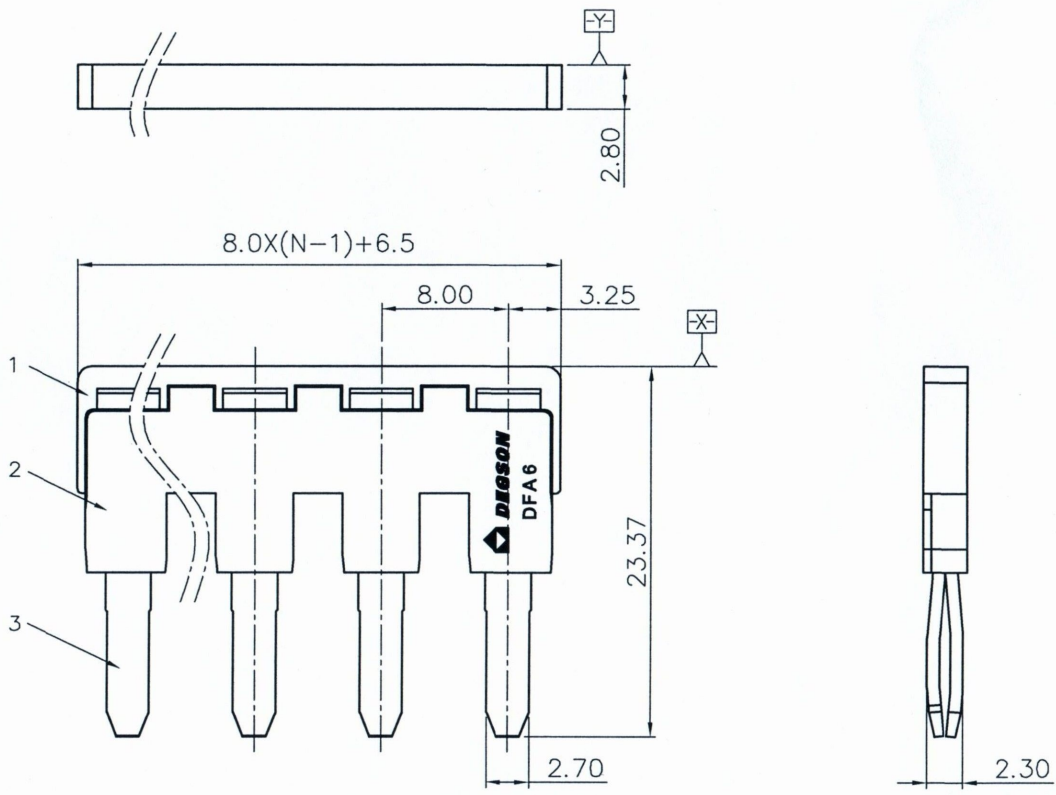


REVISION RECORD				
REV	ECN	DESCRIPTION	DRFT	DATE



NOTES2:
 1.Dimension shall be interpreted per ASME Y14.5-2009
 2.Pitch : 8.0mm, Poles : N=2~10P
 3.Operating temperature: -40°C~+105°C
 4.Undimensioned Tolerances:

Pitch Range In mm		Nominal Dimension Range In mm				⊖	∩	∠
TO	Over	TO	Over	TO	Over	0.1/10		
6	10	10	30	30	60	100	150	<
±0.15	±0.20	±0.30	±0.30	±0.50	±0.70	±1.00	±1.30	±2'

5.RoHS Compliance

DFA6-XXP-1Y-00AH
 DFA6 - series
 XXP - number of Pins (02P, 03P ... 24P)
 1 - single-row
 Y - color of cover/housing (1 - gray color)
 00AH - no value

Rated surge voltage 1000 volts

仅供参考图
 日期: 2016.10.25

ITEM	NAME OF PART	MATERIAL	NOTES
3	Bridgeware	COPPER	Sn plated
2	Cover	PA66	UL94V-0
1	Housing	PA66	UL94V-0

DETACHED LISTS	PART NO.: /	NINGBO DEGSON ELECTRICAL CO., LTD		
	APPD: Alan 10/25/16"	NAME: DFA6-XXP-1Y-00A(H)		
	CHKD:	TITLE: CUSTOMER DRAWING		
	DRFT: ding 03/07/16"	REV: T0-1	SHEET: 1/1	
THIRD ANGLE PROJECTION		DRAWING NO.: DFA6-C01	DO NOT SCALE DRAWING	SCALE: 1:1