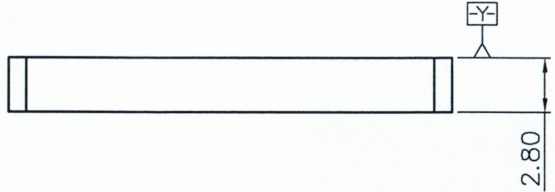
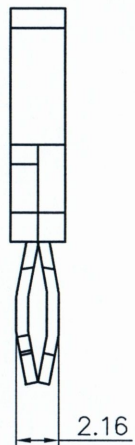
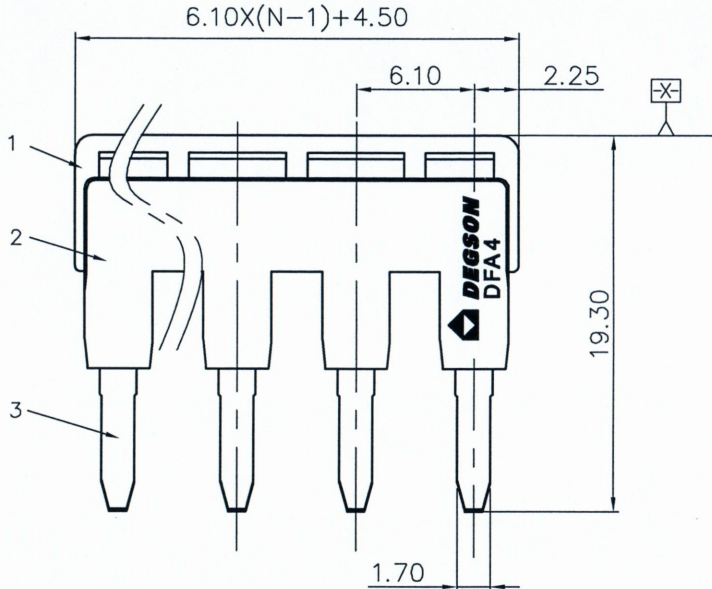


REVISION RECORD				
REV	ECN	DESCRIPTION	DRFT	DATE



仅供参考图
 签字: 薛贵凡
 日期: 2016.10.06.



- NOTES2:
- 1.Dimension shall be interpreted per ASME Y14.5-2009
 - 2.Pitch : 6.1mm, Poles : N=02~10P
 - 3.Operating temperature: -40°C~+105°C
 - 4.Undimensioned Tolerances:

Pitch Range In mm		Nominal Dimension Range In mm					-	∩	∇
TO	Over TO	Over TO	Over TO	Over TO	Over TO	0.1/10			
6	10	24	30	60	100	150	<		
±0.15	±0.20	±0.30	±0.30	±0.50	±0.70	±1.00	±1.30	±2'	

5.RoHS Compliance

DFA4-XXP-1Y-00AH
 DFA4 - series
 XXP - number of Pins (02P, 03P ... 24P)
 1 - single-row
 Y - color of cover/housing (1 - gray color)
 00AH - no value

Rated surge voltage 1000 volts

ITEM	NAME OF PART	MATERIAL	NOTES
3	Bridgeware	Copper	Sn plated
2	Cover	PA66	UL94V-0
1	Housing	PA66	UL94V-0

DETACHED LISTS	PART NO.: /	宁波高松电子有限公司 NINGBO DEGSON ELECTRICAL CO., LTD		
	APPD: Alan 10/06/16'	NAME: DFA4-XXP-1Y-00A(H)		
	CHKD:	TITLE: CUSTOMER DRAWING		
	DRFT: ding 03/07/16"	REV	T0-1	
		DRAWING NO.: DFA4-C01	SHEET	1/1
THIRD ANGLE PROJECTION	MM (INCH)	DO NOT SCALE DRAWING	SCALE 1:1	

H
G
F
E
D
C
B
A