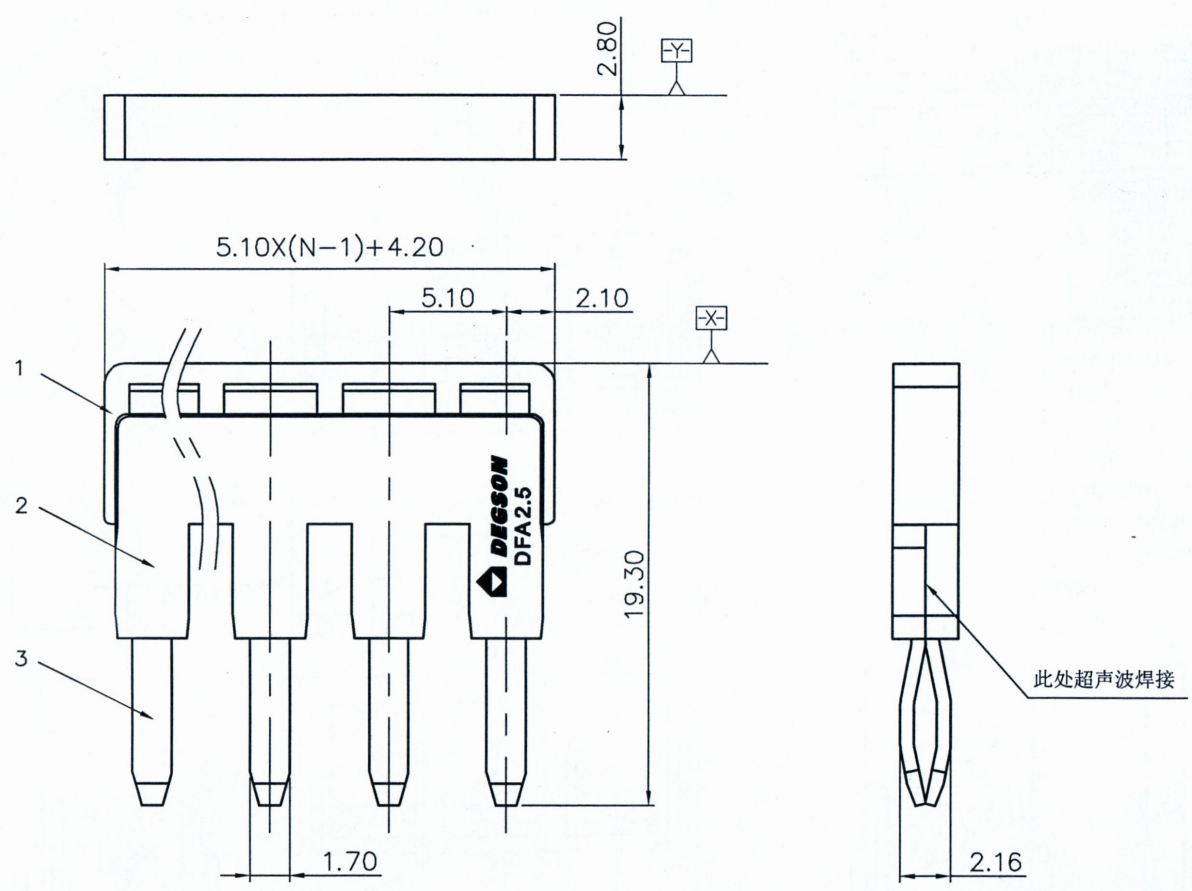


REVISION RECORD				
REV	ECN	DESCRIPTION	DRFT	DATE



NOTES1:
 1.Dimension shall be interpreted per ASME Y14.5-2009
 2.Pitch : 5.1mm, Poles : N=02~10P
 3.Operating temperature:-40°C~+105°C
 4.Undimensioned Tolerances:

Pitch Range In mm		Nominal Dimension Range In mm				0.1/10		
TO	Over TO	Over TO	Over TO	Over TO	Over TO	0.1/10		
6	10	24	30	60	100	150	<	
±0.15	±0.20	±0.30	±0.30	±0.50	±0.70	±1.00	±1.30	±2'

5.RoHS Compliance

DFA2.5-XXP-1Y-00AH
 DFA2.5 - series
 XXP - number of Pins (02P, 03P ... 24P)
 1 - single-row
 Y - color of cover/housing (1 - gray color)
 00AH - no value

Rated surge voltage 1000 volts

仅供参考图
 签字: 薛贵凡
 日期: 2016.09.21

ITEM	NAME OF PART	MATERIAL	NOTES
3	Bridgware	COPPER	Sn plated
2	Cover	PA66	UL94V-0
1	Housing	PA66	UL94V-0

DETACHED LISTS	PART NO.:	1		
	APPD:	Alan 09/20/16"		
	CHKD:			
	DRFT:	ding 03/07/16"		
 THIRD ANGLE PROJECTION		NAME:	宁波高松电子有限公司 NINGBO DEGSON ELECTRICAL CO., LTD	
		TITLE:	CUSTOMER DRAWING	
		DRAWING NO.:	DFA2.5-C01	REV TO-1
		MM (INCH)	DO NOT SCALE DRAWING	SHEET 1/1
		SCALE	1:1	