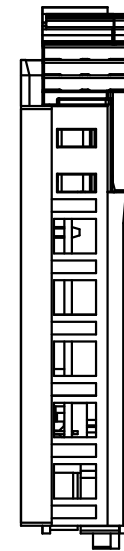
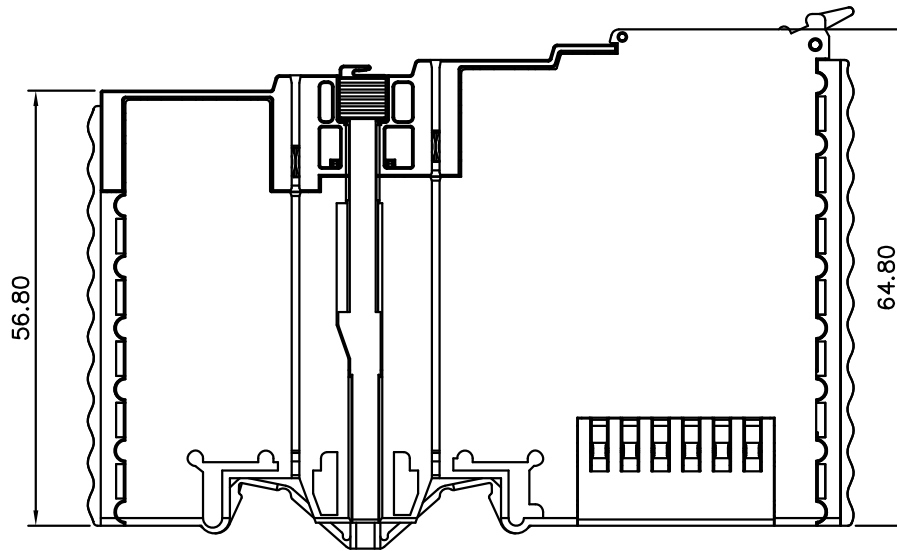
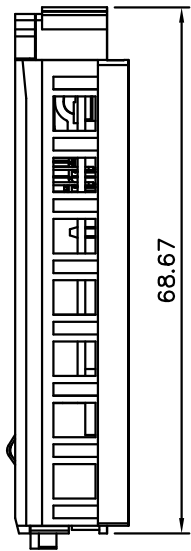
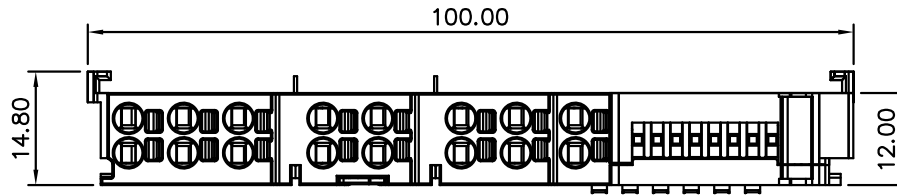


REVISION RECORD				
REV	ECN	DESCRIPTION	DRFT	DATE



Technical parameter	
Overvoltage category	II
Rated voltage	24V
Rated current	20A
Wire range	28~16AWG/0.2~1.5mm ²
Stripping length	8~9mm

NOTES:
 1.RoHS Compliance
 2.Undimensioned tolerances:

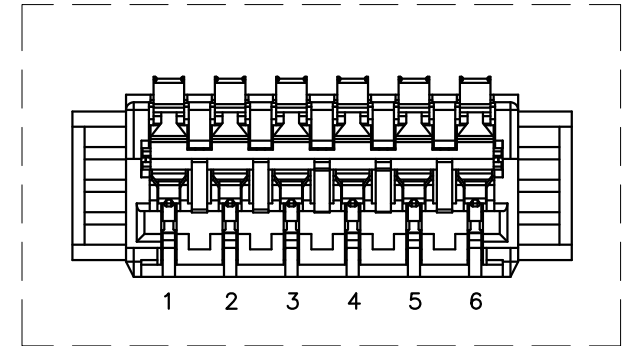
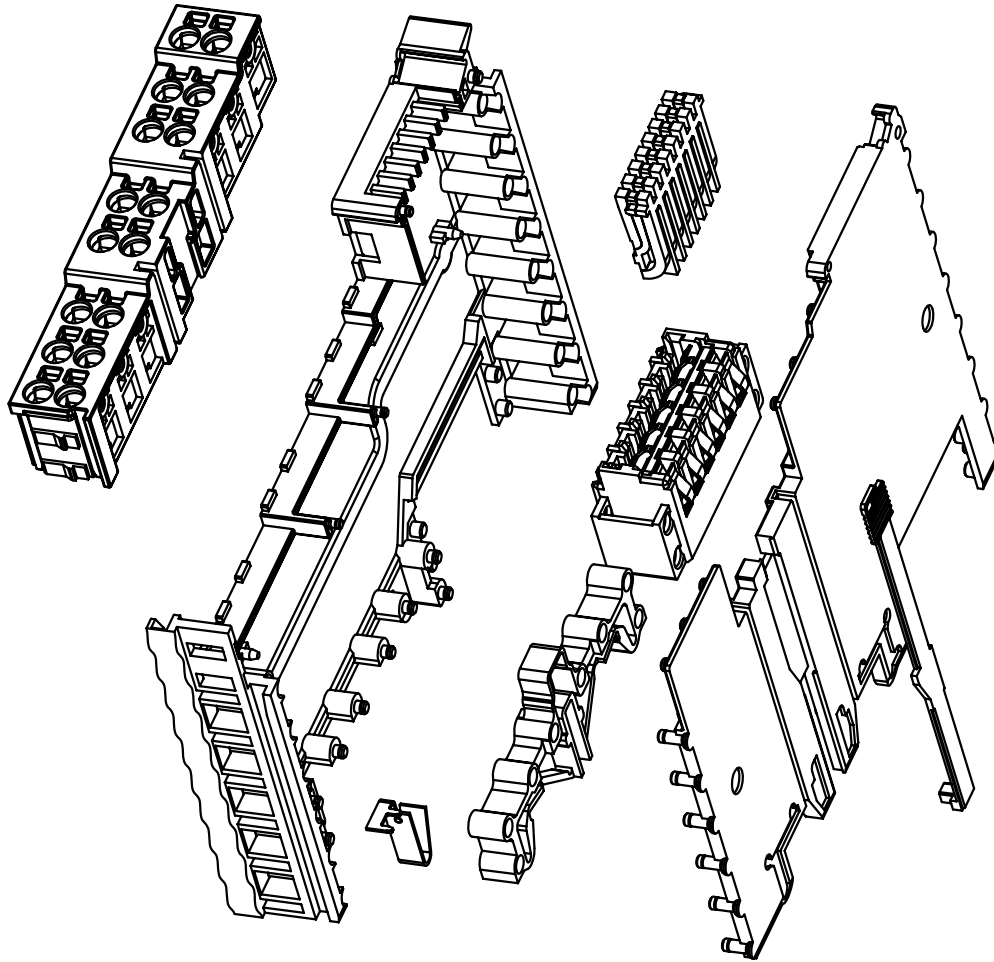
Pitch range in mm		Nominal dimension range in mm						
TO 6	Over 6 TO 10	Over 10 TO 24	TO 30	Over 30 TO 60	Over 60 TO 100	Over 100 TO 150	Over 150	0.1/10
±0.15	±0.20	±0.30	±0.30	±0.50	±0.70	±1.00	±1.30	±2'

DETACHED LISTS	PART NO.: Series DF	宁波高松电子有限公司 NINGBO DEGSON ELECTRICAL CO., LTD		
	APPD:	NAME: DF750-300-11-20XXAH		
	CHKD:	DRFT: KY 2020.04.20	TITLE: CUSTOMER DRAWING	REV: D0-1
	THIRD ANGLE PROJECTION	DRAWING NO.: /	SHEET: 1/2	SCALE: 1:1

MM (INCH) DO NOT SCALE DRAWING


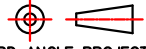
REVISION RECORD

REV	ECN	DESCRIPTION	DRFT	DATE
-----	-----	-------------	------	------



DF750-300-11-20XXA(H)

- 00: breakover1、2, disconnect3、4、5、6
- 01: disconnect1、2、3、4、5、6
- 02: breakover1、2、5、6, disconnect3、4
- 03: breakove1、2、3、4、5、6
- 05: breakover1、6, disconnect2、3、4、5
- 07: breakover1、2、4、5、6, disconnect3

DETACHED LISTS	PART NO.: Series DF	 宁波高松电子有限公司 NINGBO DEGSON ELECTRICAL CO., LTD		
	APPD:	NAME: DF750-300-11-20XXAH		
	CHKD:	TITLE: CUSTOMER DRAWING		
	DRFT: KY 2020.04.20	REV: D0-1	SHEET: 2/2	
 THIRD ANGLE PROJECTION		DRAWING NO.: /	DO NOT SCALE DRAWING	SCALE: 1:1