

Datasheet

Mini PCIeDOM 1ME3 series

- Standard Mini PCIe form factor
- Driverless
- iSMART disk health monitoring
- Intelligent error recovery system
- Optional write protection security
- Anti-vibration mechanical design



Introduction

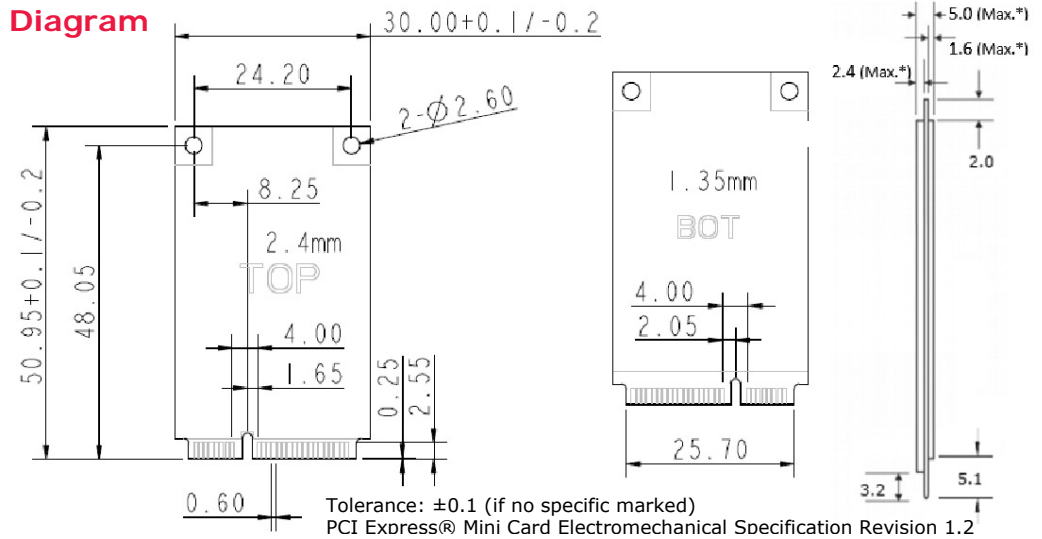
Innodisk Mini PCIeDOM 1ME3 is a Flash based disk module with Mini PCI Express interface, which brings you new generation of storage solution, especially focused on embedded systems. It not only provide standard Mini PCIe interface but also delivers excellent performance.

Comparing with most Mini PCIe storage devices in the market, Mini PCIeDOM 1ME3 comes with standard Mini PCI Express interface, just plug and play without any circuit modification, and no driver needed, which is the easiest way for board maker or system integrator to design in the product as a boot drive or storage device.

Mini PCIeDOM 1ME3 series

Contact us for more information about the Mini PCIeDOM 1ME3.

Innodisk is a service-driven provider of industrial embedded flash and DRAM storage products and technologies, with a focus on the cloud computing, industrial/embedded, and aerospace and defense industries.



Specifications

Interface	PCI Express Gen. 1
Flash Type	MLC
P/E cycle	3,000
Capacity	8GB~64GB
Max. Channels	2
Sequential R/W (MB/sec, max.)	130 / 100
Max. Power Consumption	2 W (3.3V x 620 mA)
Thermal Sensor	Optional
External DRAM buffer	-
H/W Write Protect	Optional
ATA Security	√
S.M.A.R.T.	√
Dimension (WxLxH)	29.8 X 50.8 X 4.4 mm
Environment	Vibration: 20G @7~2000Hz Shock: 1500G @ 0.5ms Storage Temperature: -55°C ~ +95°C MTBF: 3 million hours

Headquarters (Taiwan)

5F., No.237, Sec. 1, Datong Rd.,
Xizhi Dist., New Taipei City 221,
Taiwan (R.O.C.)
Tel: +886-2-77033000
Email: sales@Innodisk.com

Branch Offices:

USA
usasales@Innodisk.com
+1-510-770-9421
Europe
eusales@Innodisk.com
+31-040-282-1818
Japan
jpsales@Innodisk.com
+81-45-594-7581
China
sales_cn@Innodisk.com
+86-755-21673689
www.Innodisk.com

© 2015 Innodisk Corporation.
All right reserved. Specifications
are subject to change without
prior notice.

Ordering Information

Operation Temp.	8GB	16GB	32GB	64GB	128GB
Standard Grade (0°C ~ +70°C)	DEEDM-08GD09SC1SC	DEEDM-16GD09SC1DC	DEEDM-32GD09SC1DC	DEEDM-64GD09SC1DC	DEEDM-A28D09SC1DC
Industrial Grade (-40°C ~ +85°C)	DEEDM-08GD09SW1SC	DEEDM-16GD09SW1DC	DEEDM-32GD09SW1DC	DEEDM-64GD09SW1DC	DEEDM-A28D09SW1DC