

Datasheet

EDC 1ME series

- iSMART disk health monitoring
- Intelligent error recovery system
- Excellent data transfer speed
- Write protection security
- Enhanced power cycling management



Introduction

The Innodisk Embedded DISK CARD 1ME (EDC 1ME) products provide high capacity solid-state flash memory that electrically complies with the Personal Computer Memory Card International Association ATA standard. Innodisk Embedded DISK CARD 1ME (EDC 1ME) is embedded solid-state data storage systems for industrial work place. Embedded DISK CARD 1ME (EDC 1ME) features an extremely light weight, reliable, low-profile form factor.

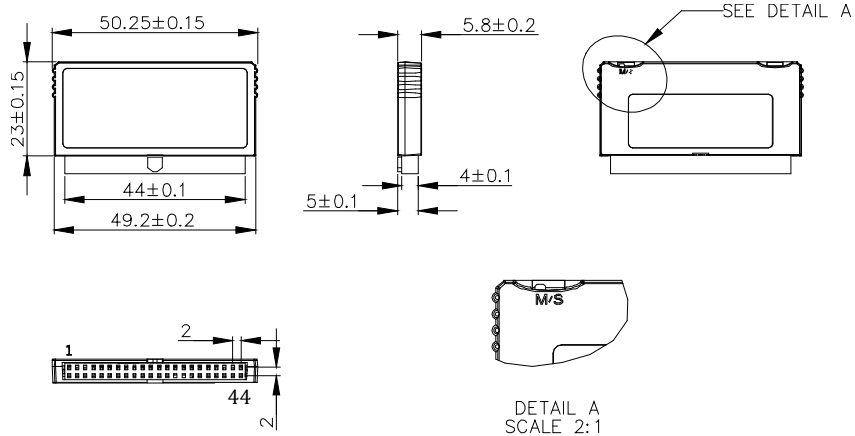
Embedded DISK CARD 1ME (EDC 1ME) supports advanced PIO (0-6), Multi Word DMA (0-4), Ultra DMA (0-6) transfer modes, multi-sector transfers, and LBA addressing

Contact us for more information
about the EDC 1ME

Innodisk is a service-driven provider of industrial embedded flash and DRAM storage products and technologies, with a focus on the cloud computing, industrial/embedded, and aerospace and defense industries.

EDC 1ME series

Drawing



Headquarters (Taiwan)

5F., No.237, Sec. 1, Datong Rd.,
Xizhi Dist., New Taipei City 221,
Taiwan (R.O.C.)

Tel: +886-2-77033000
Email: sales@innodisk.com

Branch Offices:

USA
usasales@innodisk.com
+1-510-770-9421

Europe
eusales@innodisk.com
+31-(0)40-282-1818

Japan
jpsales@innodisk.com
+81-3-6667-0161

China
sales_cn@innodisk.com
+86-755-21673689

www.innodisk.com

© 2014 Innodisk Corporation.
All right reserved. Specifications
are subject to change without
prior notice.

20150122

Specifications

Interface	PATA
Flash Type	MLC
Capacity	8GB~128GB
Max. Channels	2
Sequential R/W (MB/sec, max.)	110/75
Max. Power Consumption	0.76W(3.3V x 230mA)
Thermal Sensor	-
External DRAM Buffer	-
H/W Write Protect	Optional
ATA Security	√
S.M.A.R.T.	√
Dimension (WxLxH)	50.3 X 27.3 X 7.5 mm
Environment	Vibration: 20G @7~2000Hz Shock: 1500G @ 0.5ms Storage Temperature: -55°C ~ +95°C MTBF: 3 million hours

Ordering Information

Operation Temp.	4GB	8GB	16GB	32GB	64GB	128GB
Standard Grade (0°C ~ +70°C)	DEE4H-04GD53RC1SC	DEE4H-08GD53RC1SC DEE4H-08GD53BC1SC	DEE4H-16GD53RC1DC DEE4H-16GD53BC1SC	DEE4H-32GD53RC1DC DEE4H-32GD53BC1DC	DEE4H-64GD53RC1DC DEE4H-64GD53BC1DC	DEE4H-A28D53BC1DC
Industrial Grade (-40°C ~ +85°C)	DEE4H-04GD53RW1SC	DEE4H-08GD53RW1SC DEE4H-08GD53BW1SC	DEE4H-16GD53RW1DC DEE4H-16GD53BW1SC	DEE4H-32GD53RW1DC DEE4H-32GD53BW1DC	DEE4H-64GD53RW1DC DEE4H-64GD53BW1DC	DEE4H-A28D53BW1DC

R: Toshiba A19nm MLC / B: Toshiba 15nm MLC

innodisk

www.innodisk.com