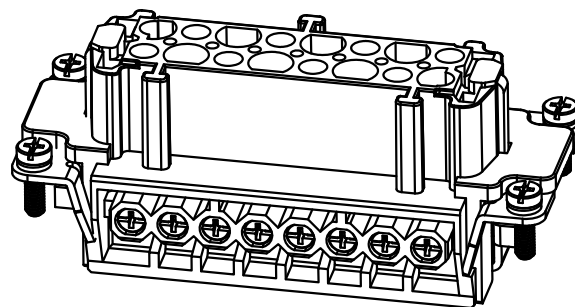
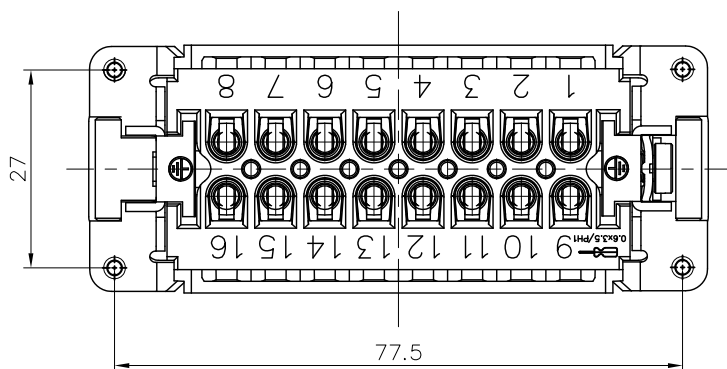
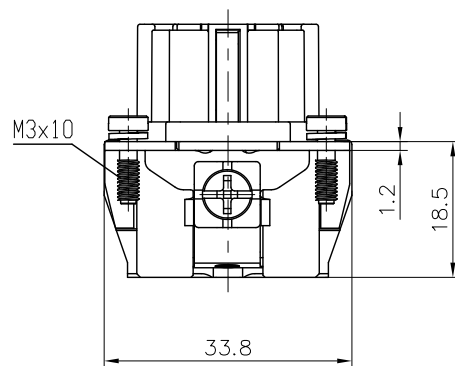
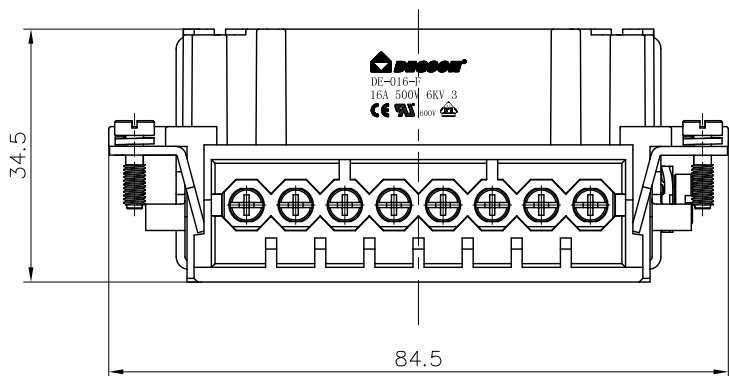


REVISION RECORD				
REV	ECN	DESCRIPTION	DRFT	DATE



Technical characteristics:

Specifications
 DIN EN 60 664-1
 DIN EN 61 984

Inserts

- 01. Number of contacts :16+PE
- 02. Rated Current :16A
- 03. Rated Voltage :500V
- 04. Pollution degree :3
- 05. Rated impulse voltage :6kv₁₀
- 06. Insulation resistance :≥10Ω
- 07. Material:Polycarbonate
- 08. Rated voltage acc. to UL/CSA:600V
- 09. Limiting temperatures : -40℃~+125℃
- 10. Flammability acc. to UL94:V0
- 11. Mechanical working life (mating cycles) :≥500

Contacts

- 01. Material:Copper alloy
- 02. Surface:hard-silver plated
- 03. Contact resistance :≤1mΩ
- 04. Terminal :Screw terminal
- 05. Wire gauge :1.0-2.5mm² (AWG 18-14)
- 06. Tightening torque :0.5Nm
- 07. Stripping length :7.5mm
- 08. Rohs Compliance

DETACHED LISTS	PART NO.: /	宁波高松电子有限公司 NINGBO DEGSON ELECTRICAL CO., LTD			
	APPD:Huang JS 2019.06.19	NAME:	DE-016-F		
	CHKD:Yang SH 2019.06.19	DRFT: Chen HK 2019.06.19	TITLE: CUSTOMER DRAWING	REV	DO-1
	THIRD ANGLE PROJECTION		DRAWING NO.:	SHEET	1/1
		MM (INCH)	DO NOT SCALE DRAWING	SCALE	1:1