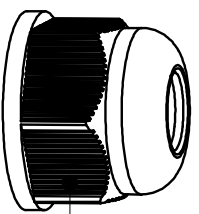


REVISION RECORD			
REV	E/CN	DESCRIPTION	DATE

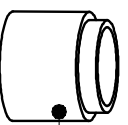


Type

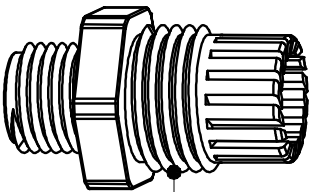
Thread (PG)	Clamping range (Ø)	GL	H	(mm)			Type
				SW1	SW2	SW3	
PG7	4-8	15	5	18.8	18.7	17	DDL-PG7PL-10AH
PG9	4-8	14.8	5	18.8	18.7	22	DDL-PG9PL-10AH
PG11	5.5-10	14.8	6	22	22	24	DDL-PG11PL-10AH



Sealing nut



Seal



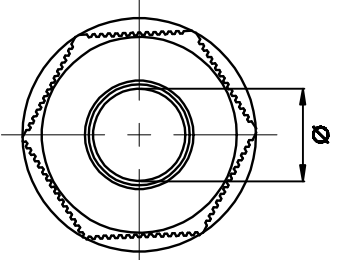
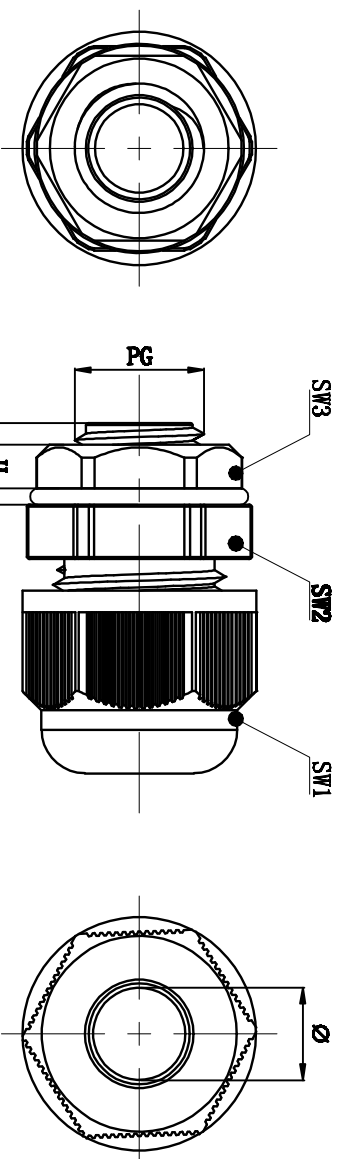
Body



O-Ring



Lock nut



Plastics Cable gland  
 Material: Nylon  
 Seal Material: NBR  
 Degree of protection: IP68  
 Temperature range: -40~100°C  
 Color: Black

PART NO.: /		NAME: <b>DEGSON</b> 宁波德森电子有限公司 NINGBO DEGSON ELECTRICAL CO., LTD	
APPD: /	CHKD: /	TITLE: CUSTOMER DRAWING	
DRT: LJK 2020.01.07		DRAWING NO.: /	REV: DO
THIRD ANGLE PROJECTION		DO NOT SCALE DRAWING	SHEET 1/1