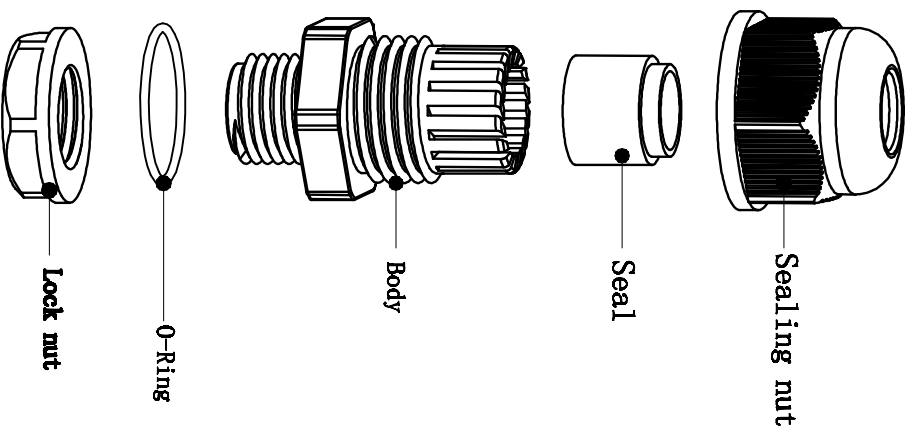
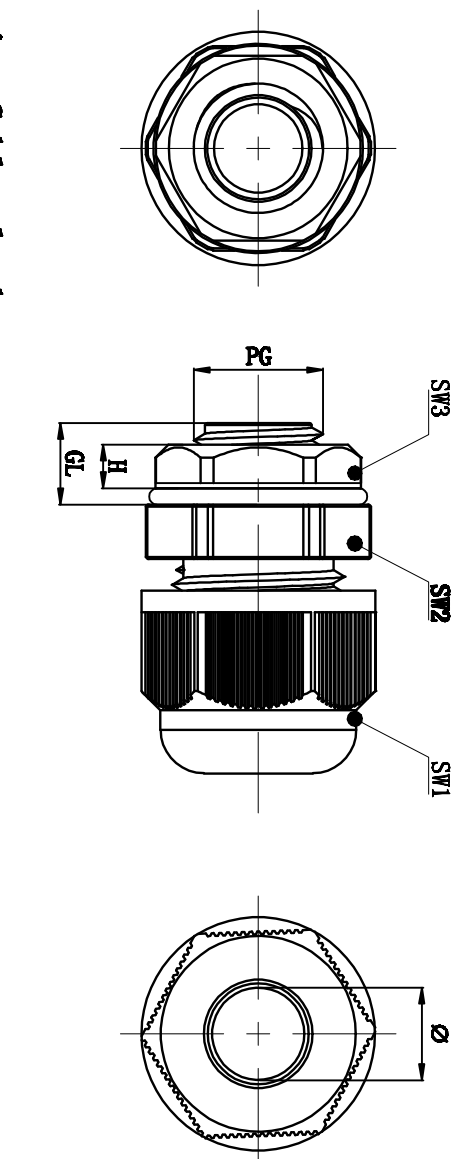


REVISION RECORD			
REV	ECN	DESCRIPTION	DATE

Thread (PG)	Clamping range (Ø)	GL	H	Type		
				SW1	SW2	SW3
PG7	4-8	9	5	18.8	18.7	17
PG9	4-8	9	5	18.8	18.7	22
PG11	5.5-10	9.7	6.2	22	22.2	24
PG13.5	6-12.5	10	6	24	23.6	27
PG16	8.5-14	11	6.3	27	26.5	29
PG21	10-18	12.1	7.2	32.6	33	35.5
PG29	17.5-25	12.5	7.8	40.6	42	45.2
PG36	25-32.5	14.8	7.6	51.5	53	57



Type



Plastics Cable gland
 Material: Nylon
 Seal Material: NBR
 Degree of protection: IP68
 Temperature range: -40~100°C
 Color: Black

PART NO.: /		NAME: DEGSON 宁波德森电子有限公司 NINGBO DEGSON ELECTRICAL CO., LTD	
APPD:	CHKD:	DRT: LJK 2020.01.07	TITLE: CUSTOMER DRAWING
DRAWING NO.: /		REV: DO	SHEET: 1/1
THIRD ANGLE PROJECTION		DO NOT SCALE DRAWING	