

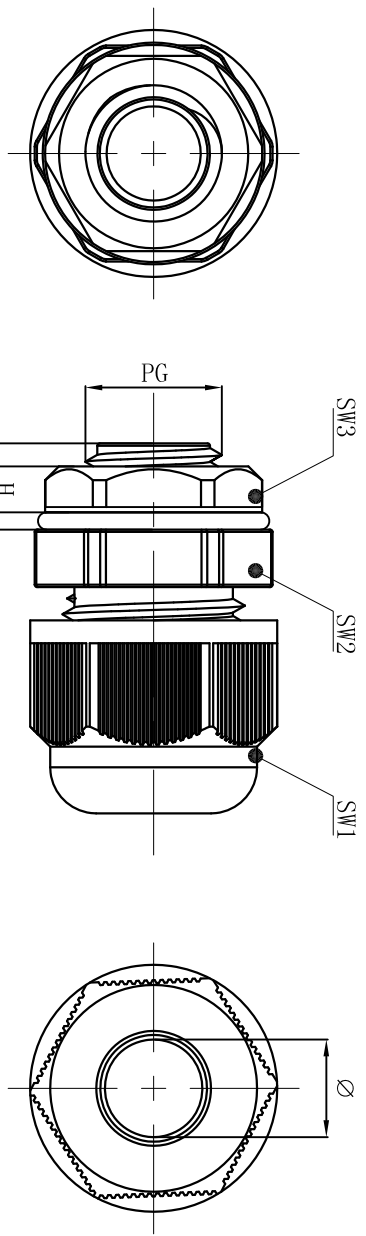
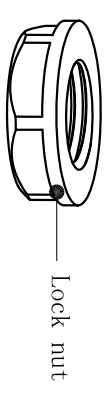
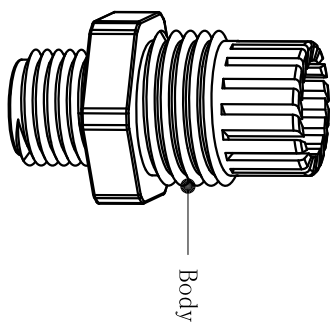
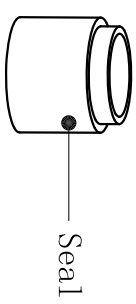
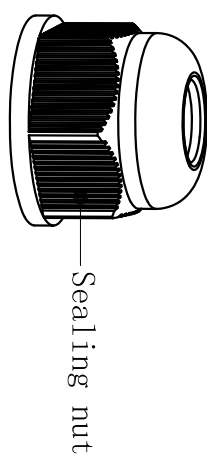
Plastics Cable gland

 (mm)


Type

REVISION RECORD			
REV	ECN	DESCRIPTION	DWFT DATE

Thread (PG)	Clamping range (Ø)	GL	H	SW1	SW2	SW3	Type
M12	4-8	9	5.5	18.7	18.6	17.6	DDL-M12P-10AH
M16	5-10.8	9.7	7	22	22	21.5	DDL-M16P-10AH
M20	10-14	11	7.5	27	26.4	26.5	DDL-M20P-10AH
M25	13-18	12	8	32.6	33	32.5	DDL-M25P-10AH
M32	18-25	12.5	8.5	40.5	42	40.5	DDL-M32P-10AH



Plastics Cable gland
 Material: Nylon
 Seal Material: NBR
 Degree of protection: IP68
 Temperature range: -40~100°C
 Color: Black

PART NO.: /		NAME:  NINGBO DEGSON ELECTRICAL CO., LTD 宁波高松电子有限公司	
APPD: /		TITLE: CUSTOMER DRAWING	
CHKD: /		DRAWING NO.: /	
DRFT: LJK 2020.01.07		DO NOT SCALE DRAWING	
THIRD ANGLE PROJECTION		SCALE	SHEET 1/1