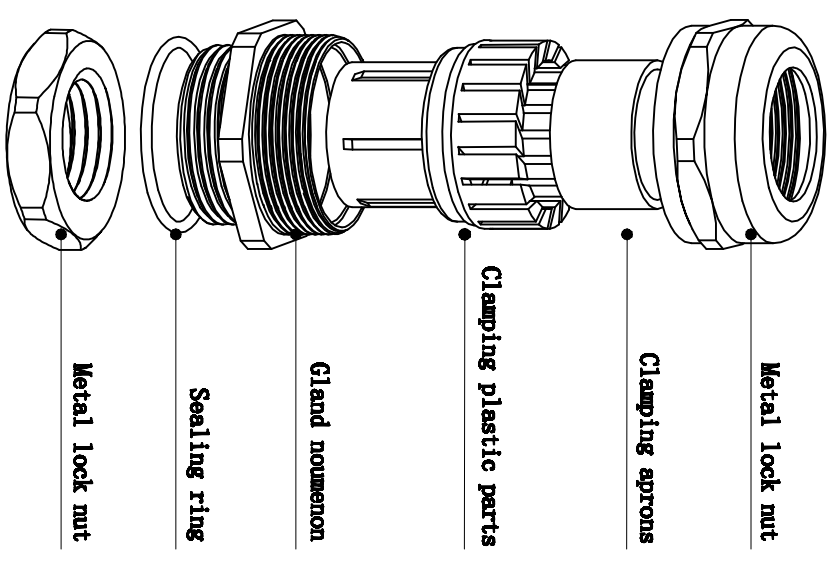
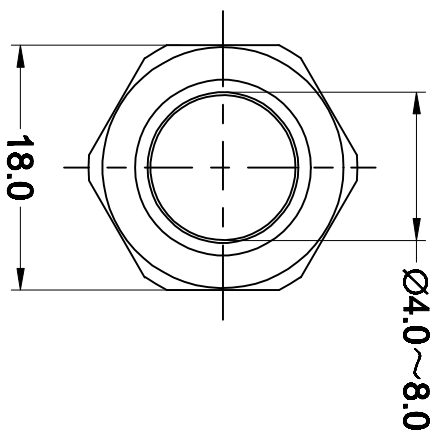
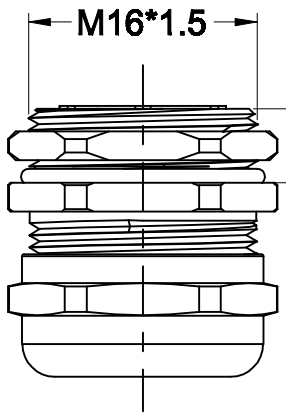
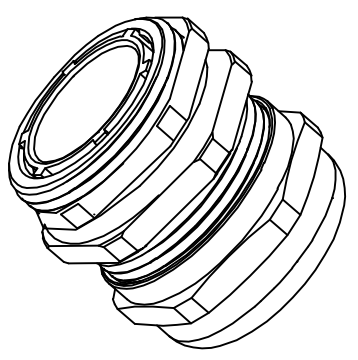


REVISION RECORD			
REV	ECN	DESCRIPTION	DATE



Metal Cable gland  
Material: Brass nickel plated  
Seal Material: NBR  
Degree of protection: IP68  
Press seal material: PA  
Temperature range: -40~100°C



DETACHED LISTS			
PART NO.:	/	NAME:	<b>DESIGN</b> 宁波德森电子有限公司 NINGBO DESON ELECTRICAL CO., LTD
APPD.:		TITLE:	CUSTOMER DRAWING
CHKD.:		DRAWING NO.:	DDL-M16MS-01AH
DRAFT:	MR. YANG2019.09.24	THIRD ANGLE PROJECTION	DO NOT SCALE DRAWING
REV	DO-1	SHEET	1/1

A 8 7 6 5 4 3 2 1