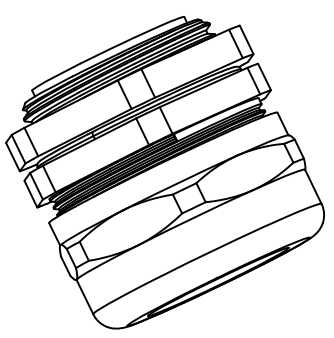
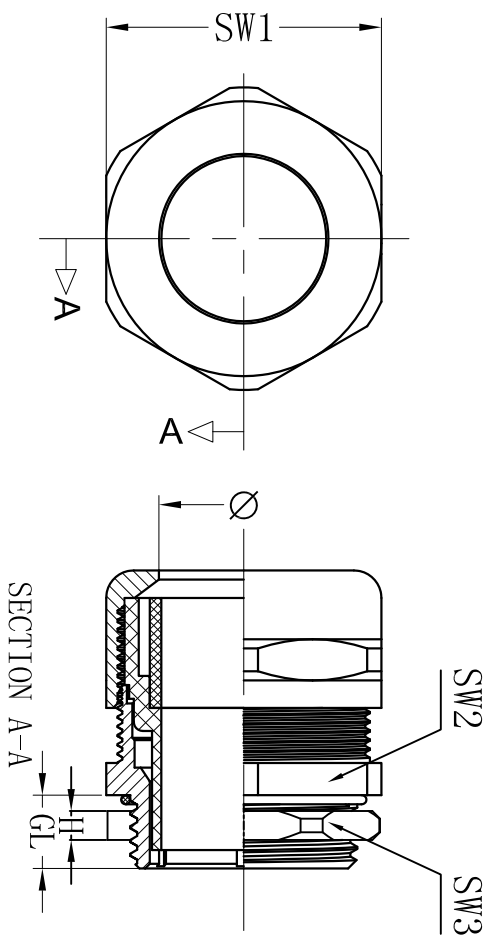


Metric	Claping range (∅)	SW1	SW2	SW3	H	GL	Type
M12x1.5	7.30	14	14	14	2.5	6.3	DDL-M12M-10AH
M16x1.5	8.50	17	18	18	2.8	7	DDL-M16M-10AH
M20x1.5	12.50	22	22	22	3.0	8	DDL-M20M-10AH
M25x1.5	18.50	30	30	27	3.0	8	DDL-M25M-10AH
M32x1.5	25.60	40	40	35	3.5	9	DDL-M32M-10AH

REVISION RECORD				
REV	ECN	DESCRIPTION	DRFT	DATE



Metal Cable gland
 Material: Brass nickel plated
 Seal Material: NBR
 Degree of protection: IP68
 Press seal material: PA
 Temperature range: -40°C ~ +100°C

DETACHED LISTS			
PART NO.:	/	NAME:	DEGSON ® NINGBO DEGSON ELECTRICAL CO., LTD 宁波高松电子有限公司
APPD.:		TITLE:	CUSTOMER DRAWING
CHKD.:		DRAWING NO.:	/
DRFT.:	LJK 2020.03.06	THIRD ANGLE PROJECTION	DO NOT SCALE DRAWING
REV	TO	SHEET	SCALE
		1/1	

A 8 7 6 5 4 3 2 1