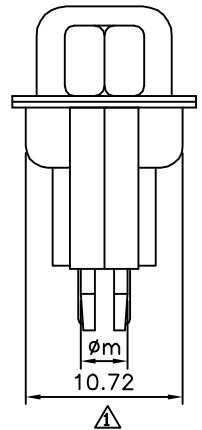
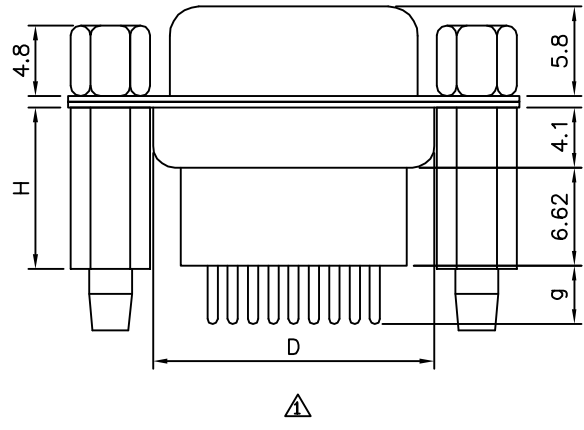


△ Recommended P.C.B. Layout



△ SPECIFICATION

Current Rating:3 Amp
 Voltage Rating:250V AC/RMS 60Hz
 Contact Resistance:20 Milliohms Max. At 3A DC
 Insulation Resistance:1000 Megaohms At 500V DC
 Dielectric Withstanding Voltage:1000V AC/RMS 60Hz
 For 1 Minute
 Insulator:PBT+G.F.(UL94V-0),Black
 Contact:Brass
 Shell:Steel,Tin Plated Over Copper
 Boardlock:Brass,Tin Plated
 Screwlock:Brass,Nickel Plated
 RoHS Compliant

△△ DDH XX S ZJ - XXX - SXX - H
 (1) (2) (3) (4) (5) (6) (7)

- (1) DDH:D-SUB DIP Straight High Profile
- (2) XX:No. Of Position
- (3) S:Female
- (4) ZJ:Rivet High Profile Boardlock Install Front Jackscrew
- (5) XXX:Boardlock Height(Dim. H)
 Blank:Boardlock Height:11.0mm
 096:Boardlock Height:9.6mm
 127:Boardlock Height:12.7mm
 145:Boardlock Height:14.5mm
- (6) SXX:Contact Finish
 Blank:Gold Flash On Contact Area,
 Tin Plated On Solder Tails,Over Nickel
 S05:Gold Plated 5u" On Contact Area,
 Tin Plated On Solder Tails,Over Nickel
 S10:Gold Plated 10u" On Contact Area,
 Tin Plated On Solder Tails,Over Nickel
 S15:Gold Plated 15u" On Contact Area,
 Tin Plated On Solder Tails,Over Nickel
 S30:Gold Plated 30u" On Contact Area,
 Tin Plated On Solder Tails,Over Nickel
- (7) H:RoHS Compliant

Pin	A	B	C	D	E
9	30.81	24.99	16.33	19.20	11.08
15	39.20	33.30	24.70	27.70	19.39
25	53.05	47.04	38.40	41.10	33.24
37	69.40	63.50	55.80	57.30	49.86

△ AUK P/N	H	g	m
DDHXXSZJ-SXX-H	11.0	3.6	3.0
DDHXXSZJ-096-SXX-H	9.6	3.6	3.2
DDHXXSZJ-127-SXX-H	12.7	5.4	3.0
DDHXXSZJ-145-SXX-H	14.5	7.2	3.0



CATEGORY		APPROVED BY		UNLESS OTHERWISE SPECIFIED TOLERANCES ARE △ X. ±0.38 X.* ±3* .X ±0.25 .X* ±1* .XX ±0.13
PART No. △ DDHXXSZJ-XXX-SXX-H		MEI		
DRAWING No. DDHXXSZJ-XXX-SXX-H		HZF		
SCALE NONE		REV. B2		
		DRAWING BY		UNIT mm
		GAO		

NO.	REV.	REVISIONS	CHK	DATE
△ B2		Modify P/N Code	HZF	04/19/2013
△ B1		Modify P/N:DDHXXSZJ-H -->DDHXXSZJ-XXX-SXX-H	HZF	08/05/2010
△ B0		NEW RELEASE	HZF	05/20/2009