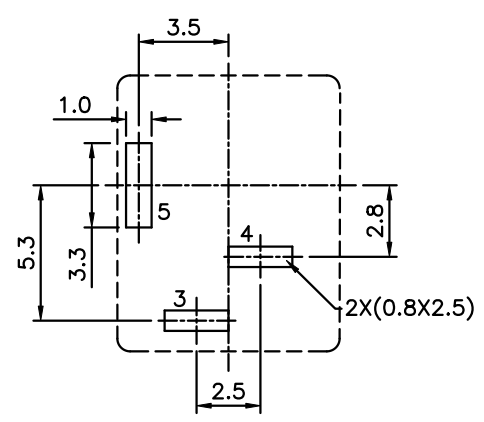
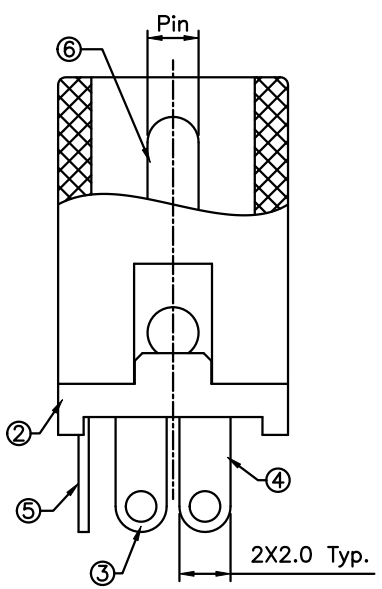
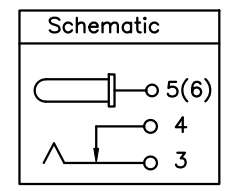
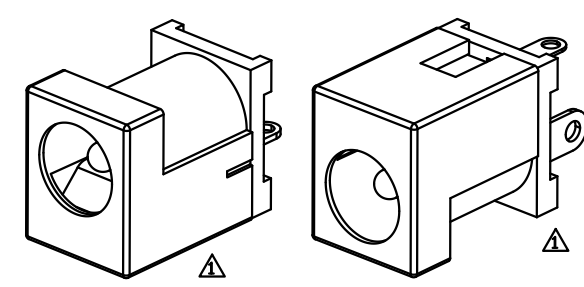


SPECIFICATION
 Rating:30V 1A DC
 Withstand Voltage:500V AC
 Contact Resistance:30 Milliohms Max.
 Insulation Resistance:100 Megaohms Min.
 At 250V DC
 Insertion And Extraction Force:3~20N
 Life Test:5000 Cycles
 RoHS Compliant

- DC $\frac{D}{(1)}$ $\frac{XX}{(2)}$ - $\frac{A}{(4)}$ - $\frac{H}{(5)}$ $\frac{H}{(6)}$
- (1) DC:DC Jack
 - (2) D:DIP Straight
 - (3) XX:Pin Diameter
20:Pin ϕ 2.0
25:Pin ϕ 2.5
 - (4) A:A Type
 - (5) H:Withstand High Temperature Soldering
 - (6) H:RoHS Compliant



Recommended P.C.B. Layout(Top View)



No.	Description	Q'ty	Material	Remark
①	Housing	1	PA9T	
②	Cover	1	PA9T	
③	Spring	1	Bronze	Silver Plated
④	Flat Piece	1	Brass	Silver Plated
⑤	Curve Piece	1	Brass	Silver Plated
⑥	Pin	1	Brass	Nickel Plated

CATEGORY		APPROVED BY		UNLESS OTHERWISE SPECIFIED TOLERANCES ARE .X \pm 0.15 ANG. \pm 1.5°
PART No. DCDXX-A-HH		MEI		
DRAWING No. DCDXX-A-HH(DIA2.0,2.5)		CHECKED BY HZF		
SCALE NONE		DRAWING BY CYP		
REV.	A1	UNIT mm		

NO.	REV.	REVISIONS	CHK	DATE
△A1		Modify Data	HZF	09/20/2016
△A0		NEW RELEASE	HZF	08/26/2015